

## **DOOR REVERSAL KIT**

WRB5004S, WRB5004W  
WFB4204S, WFB4204W

## GENERAL WARNINGS

Please read the installation manual carefully and store in a handy place for later reference. Pass the installation manual on to possible new owners of the appliance.

Read the following carefully to avoid damage or injury.

*NOTE: You must read these warnings carefully before installing or using the accessory. If you need assistance, contact your Customer Care Department. The manufacturer will not accept liability, should these instructions or any other safety instructions incorporated in this book be ignored.*



### ENVIRONMENT

Remove and discard any packaging material before using this accessory. Most of the packaging materials are recyclable. Please dispose of those materials through your local recycling depot or by placing them in the appropriate collection containers.



### WARNING

Risk of suffocation, injury or permanent disability.

- This accessory is not intended for use by persons (including children) with reduced physical, sensory or mental capabilities, or lack of experience and knowledge, unless they have been given supervision or instructions concerning the use of the appliance by a person responsible for their safety.
- This accessory may contain small parts that are a choking hazard. Not suitable for children under 3 years of age.



### CAUTION

It is important to use your appliance safely. Check these safety points before using your appliance.

- Do not use or place the accessory near the edge of the table or counter, near hot gas, stove, electric burner or heated oven.
- This accessory is for indoor use only.
- This accessory is intended for domestic use only. Electrolux will not accept any liability for possible damage caused by improper or incorrect use.
- When cleaning, use only a soft cloth with an unscented mild soap and lukewarm water.
- Never use hot water, solvents, commercial kitchen cleaners, aerosol cleaners, metal polishes, caustic or abrasive cleaners, or scourers to clean the accessory, as they may damage it. Many commercially available cleaning products and detergents contain solvents that will damage your accessory.

## KIT CONTENTS

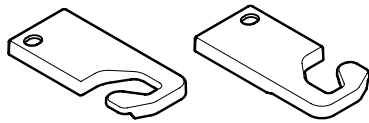


### WARNING

- It is recommended that the door is reversed by a qualified technician due to the complexity of the process.
- This kit contains parts for various different models. Not all parts will be required to be used.
- Identify the parts required for your application and then put the excess components aside.
- To install the handle, please refer to the Handle Installation instructions.

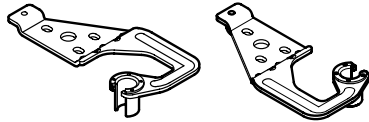
### Top hinge covers

- 1 x LH White
- 1 x RH White
- 1 x LH Grey
- 1 x RH Grey



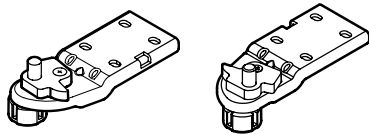
### Top hinge

- 1 x LH
- 1 x RH



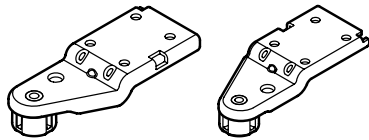
### Bottom hinge

- 1 x LH
- 1 x RH



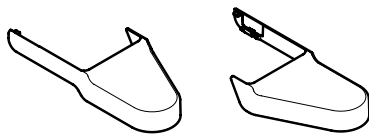
### Stability foot

- 1 x LH
- 1 x RH



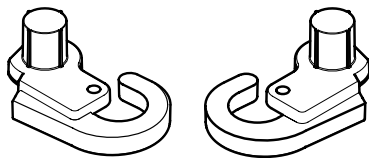
### Cover foot

- 1 x LH White
- 1 x RH White
- 1 x LH Grey
- 1 x RH Grey



### Door closer

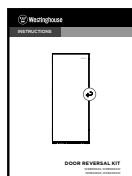
- 1 x LH White
- 1 x RH White
- 1 x LH Grey
- 1 x RH Grey



### Grease

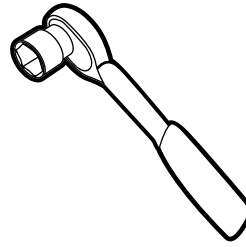


### Door handle assembly installation instructions

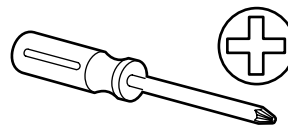


## YOU WILL NEED

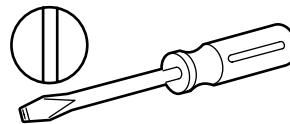
### 8mm (5/16") hex head socket



### Phillips head screwdriver



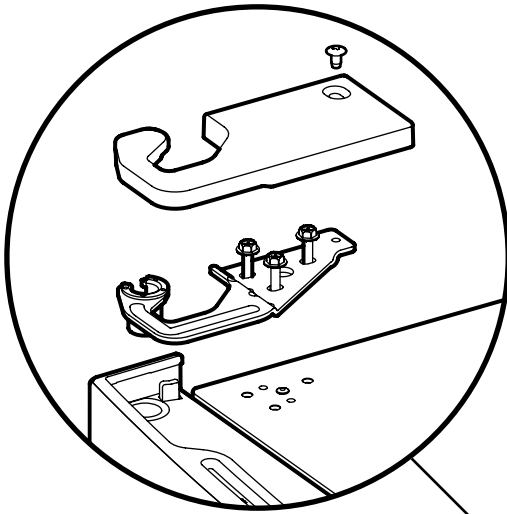
### Flat head screwdriver



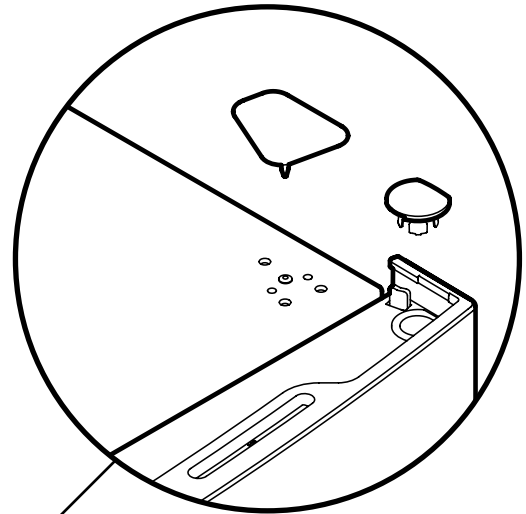
### Battery drill



# GENERAL DESCRIPTION



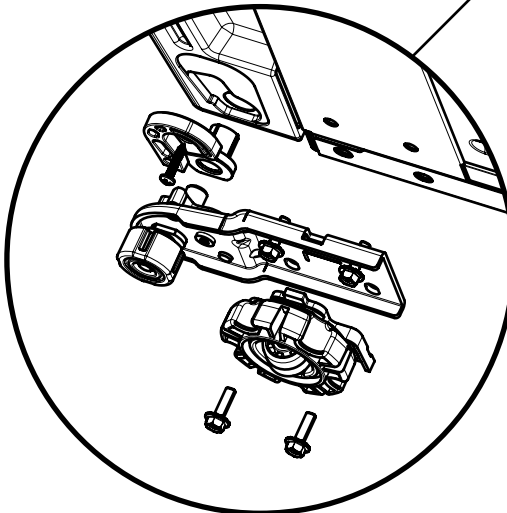
Top hinge cover  
Top hinge



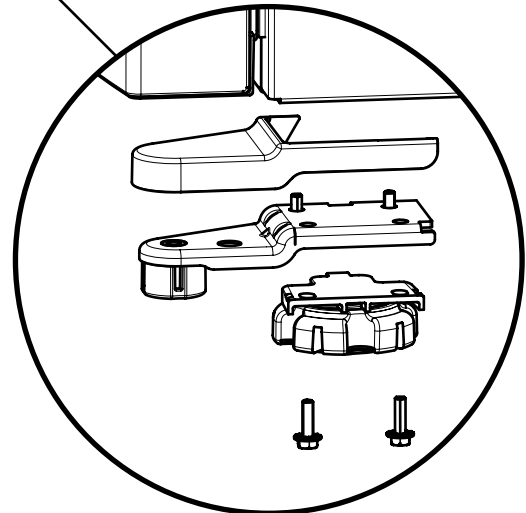
Cover  
Plug

Left hand cabinet  
shown

Door closer  
Bottom hinge  
Roller assembly



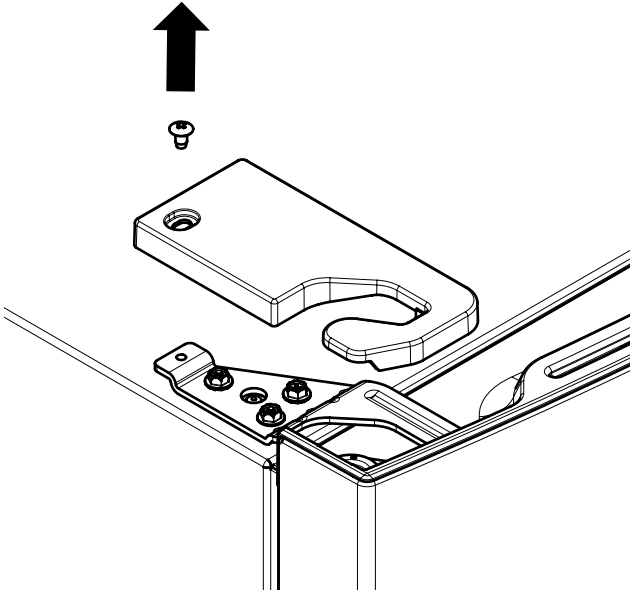
Cover foot  
Stability foot  
Roller assembly



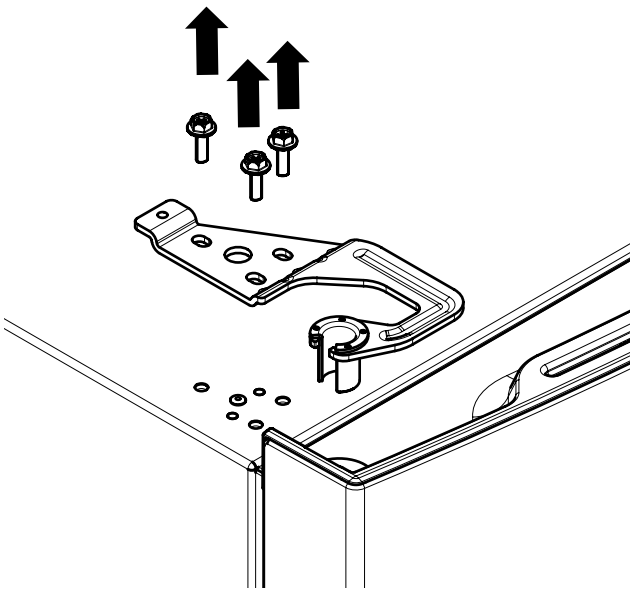
# CABINET TOP

## Removing old top hinge

1. Unplug appliance from power source
2. Ensure appliance is empty of all loose items
3. Remove screw from top hinge cover using Phillips head screw driver
  - Retain screw for later



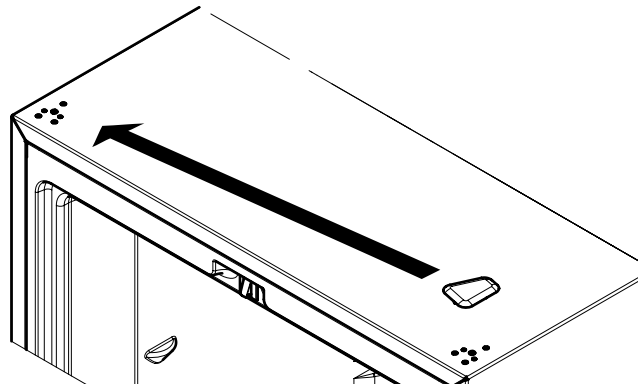
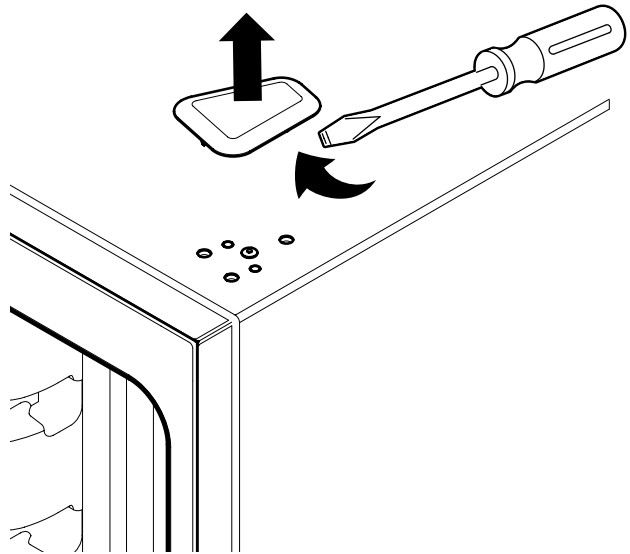
4. Remove top hinge cover and discard
5. Remove 3 screws from top hinge
  - Retain screws for later
  - Discard hinge



## WARNING

Door is no longer attached to cabinet

6. Slightly open the door and lift door vertically off bottom hinge and store in an upright position to prevent damage
7. Using a flat screw driver, remove Cover and reposition to other side



# CABINET BOTTOM

## Removing old bottom hinge

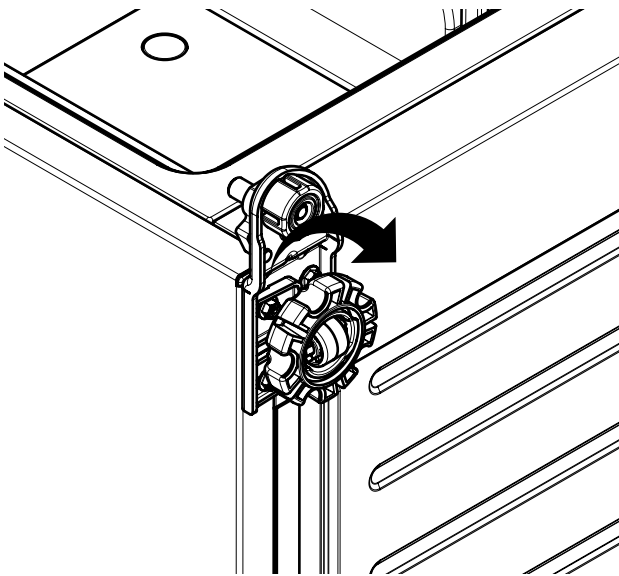
Carefully lay the appliance down on its back on a piece of soft packing material



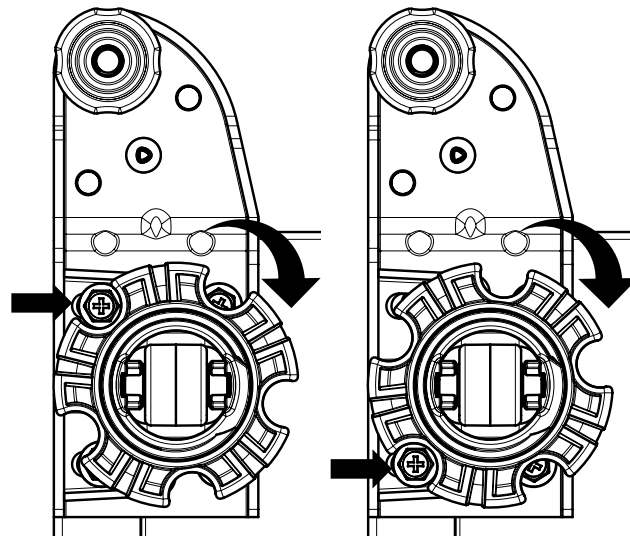
### WARNING

Your refrigerator is heavy. You may need assistance to lay it down and lift it back up

1. Wind height adjusting nut up

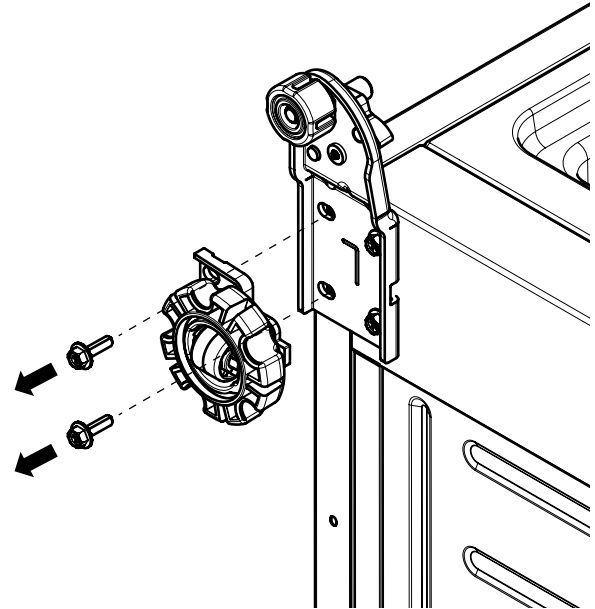


2. Align slots with screws to allow access to the screws



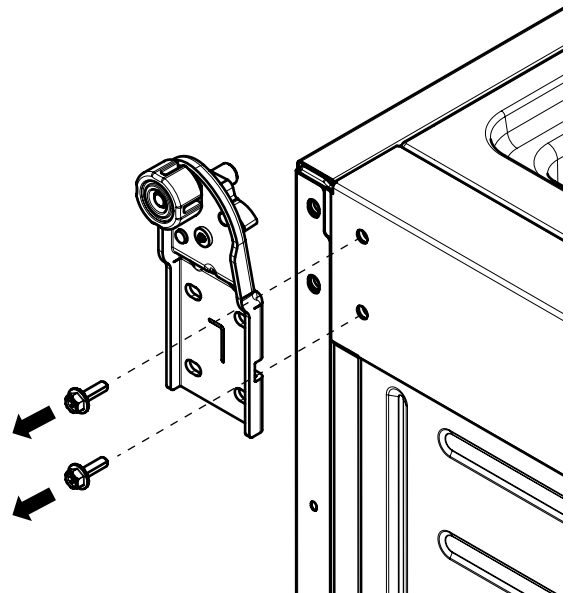
3. Remove 2 (outside) screws with washers using 8mm socket

- Retain screws and washers for later
- Remove roller assembly and put aside for later



4. Remove 2 inside screws using 8mm socket

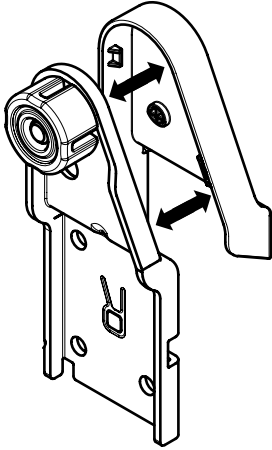
- Retain screws for later
- Remove hinge and discard



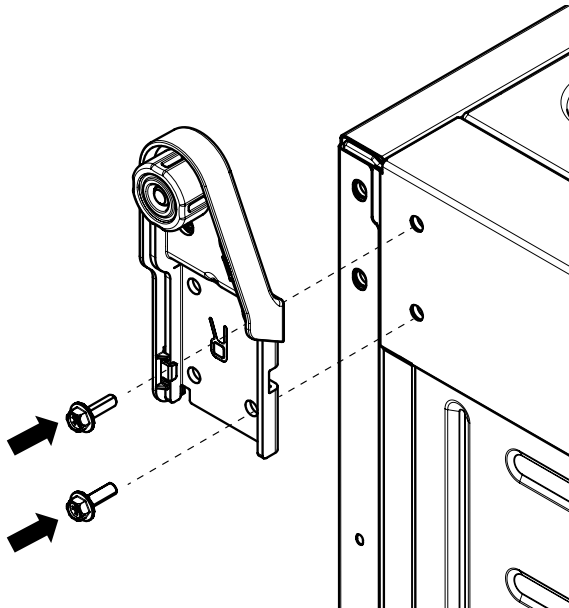
## CABINET BOTTOM (CONTINUED)

### Fitting new stability foot

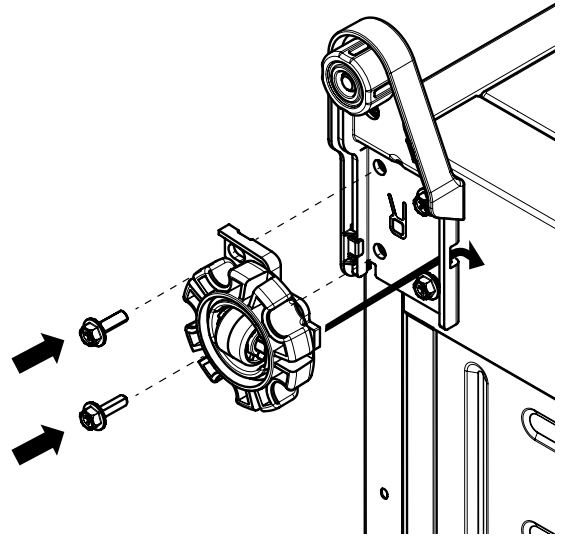
1. Select correct handed Stability foot assembly and coloured Foot Cover
  - Clip Foot Cover to Stability foot



2. Fit Stability foot and cover with 2 inside screws using 8mm socket.  
(Recommended torque 8Nm)



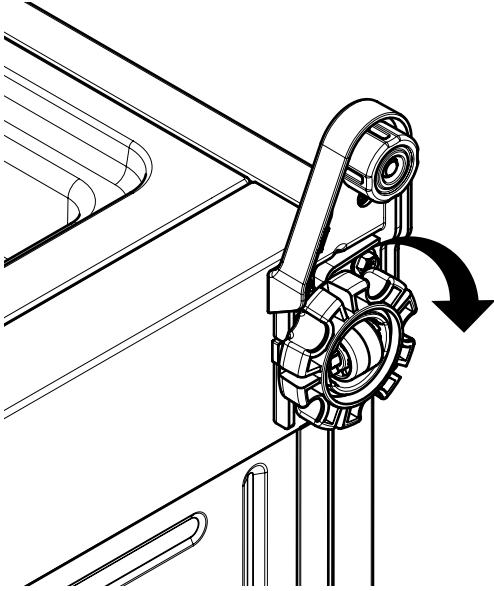
3. Clip roller assembly into stability foot
  - Secure roller assembly with 2 (outside) screws and washers using 8mm socket,  
(Recommended torque 8Nm)



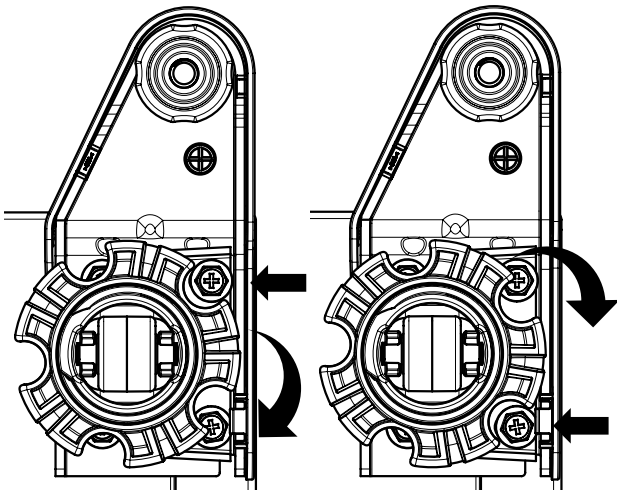
## CABINET BOTTOM (CONTINUED)

### Removing old stability foot

1. Wind height adjusting nut up.

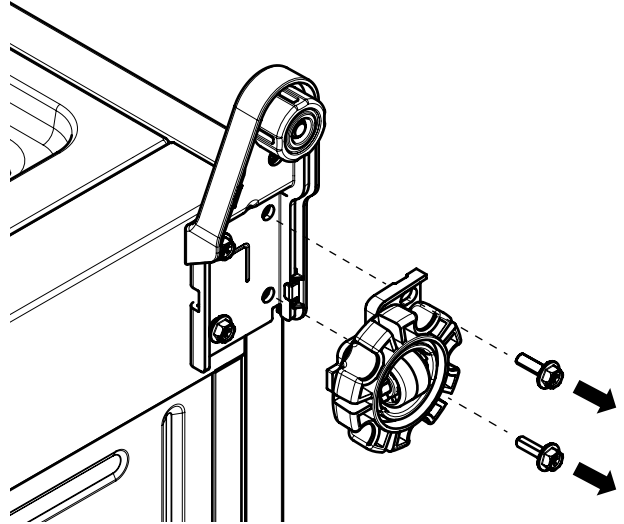


2. Align slots with screws.



3. Remove 2 (outside) screws with washers using 8mm socket

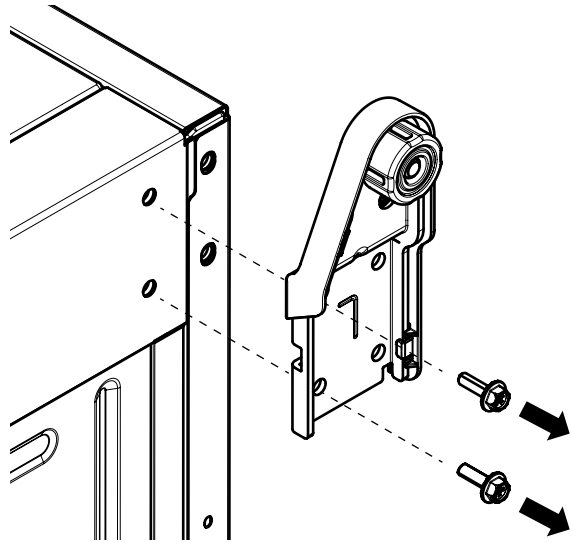
- Retain screws and washers for later.



4. Remove roller assembly and aside for later.

5. Remove 2 inside screws using 8mm socket.

- Retain screws for later.



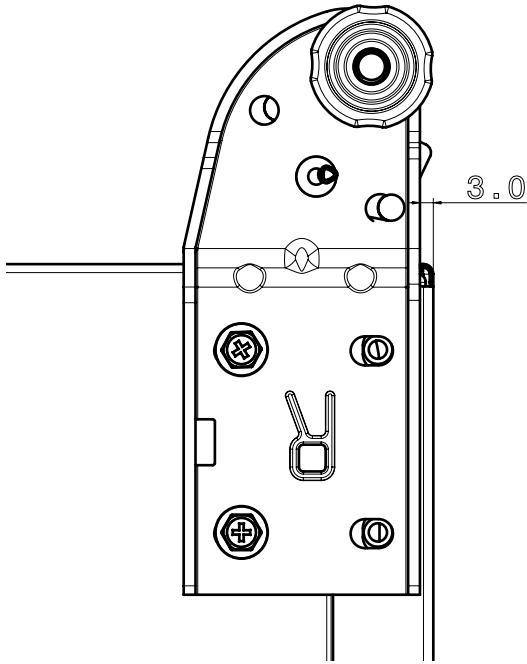
6. Remove adjusting foot assembly and cover and discard.



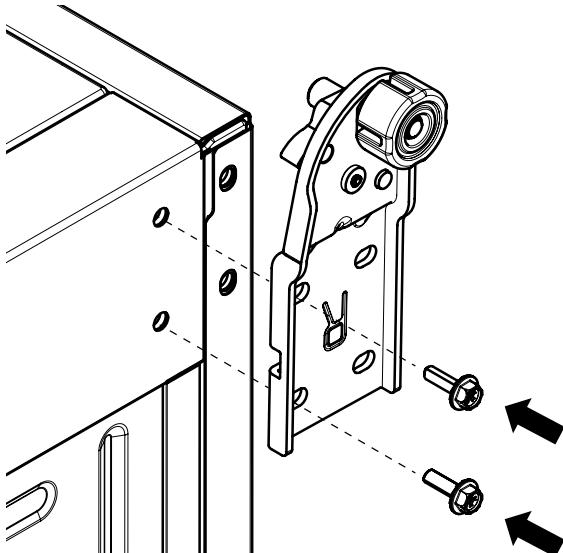
## CABINET BOTTOM (CONTINUED)

### Fitting new bottom hinge

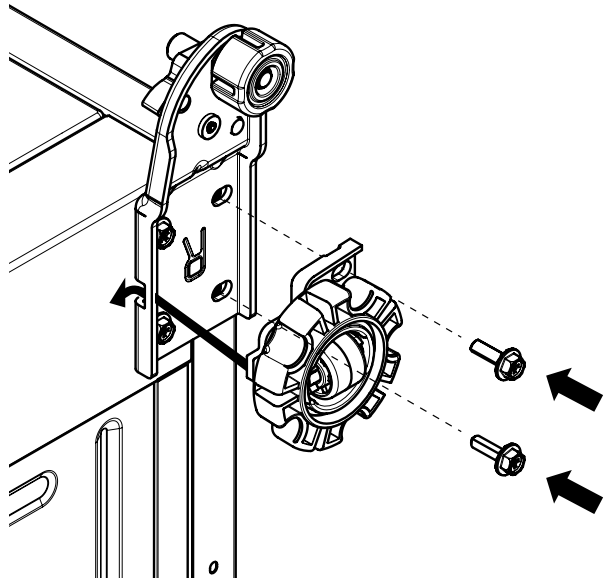
1. Select correct handed hinge.
2. Align hinge with edge of cabinet and position hinge 3mm from edge of cabinet.



3. Fit hinge with 2 inside screws using 8mm socket (recommended torque 8Nm).



4. Clip roller assembly into hinge assembly.



5. Secure roller assembly with 2 (outside) screws and washers using 8mm socket (recommended torque 8Nm).
6. Carefully stand cabinet up.

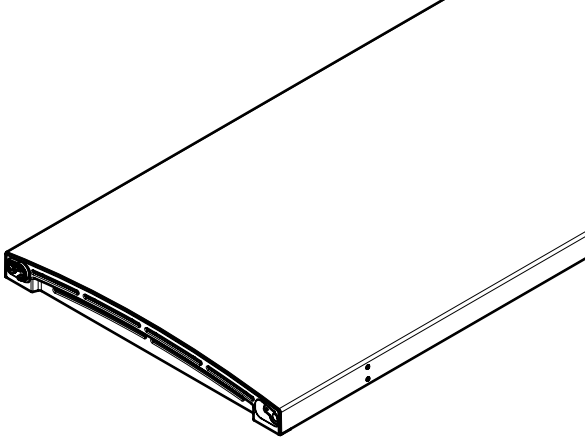
### **WARNING**

Your refrigerator is heavy. You may need assistance to lay it down and lift it back up.

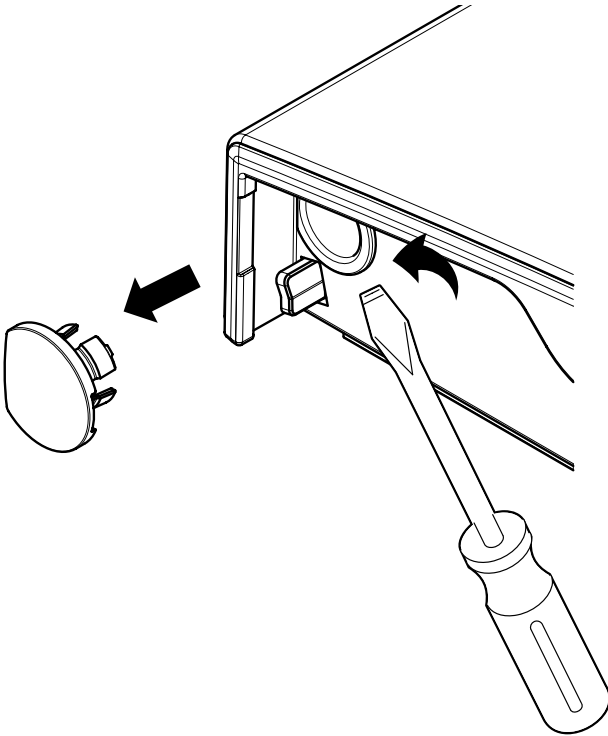
# DOOR PREPARATION

## Door preparation - top

1. Place door face down on a soft flat surface to prevent damage.



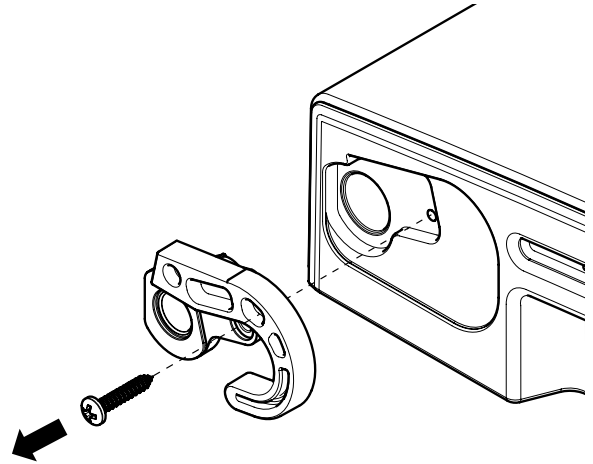
2. Remove plug from top of door using flat screw driver and fit to other side.



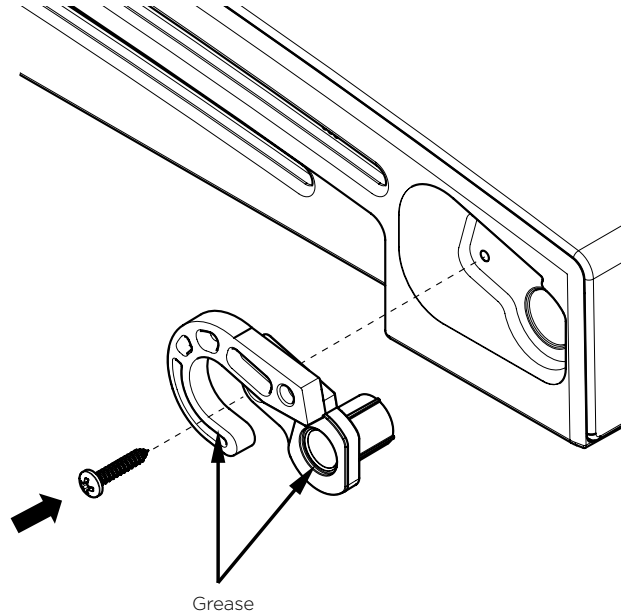
## Door preparation - bottom

1. Remove screw from door closer at bottom of door using Phillips head screw driver.

- retain screw



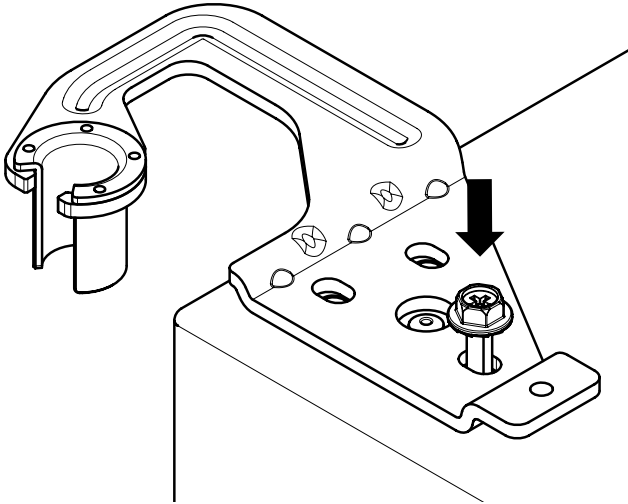
2. Remove door closer using flat screw driver and discard.
3. Select correct handed and coloured door closer.
4. Fit new door closer with screw to other side.



5. Apply grease to door closer and hinge pin hole.

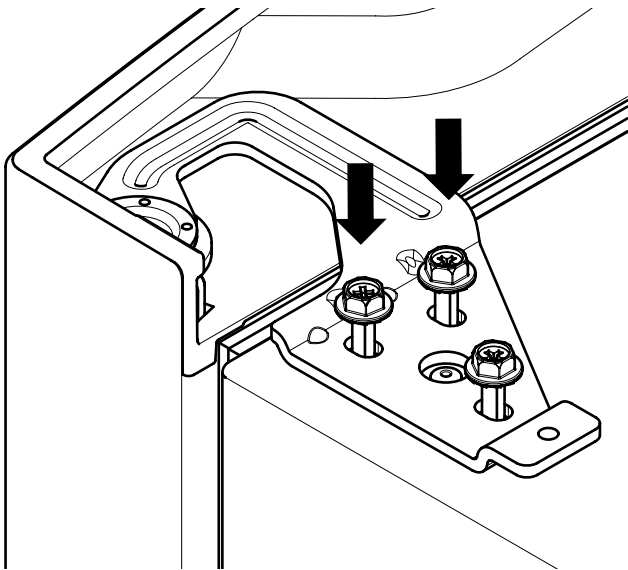
## DOOR TO CABINET ASSEMBLY

1. Select correct handed hinge.
2. Place top hinge on top of cabinet.
3. Drive rear screw in half way using battery drill with 8mm socket.

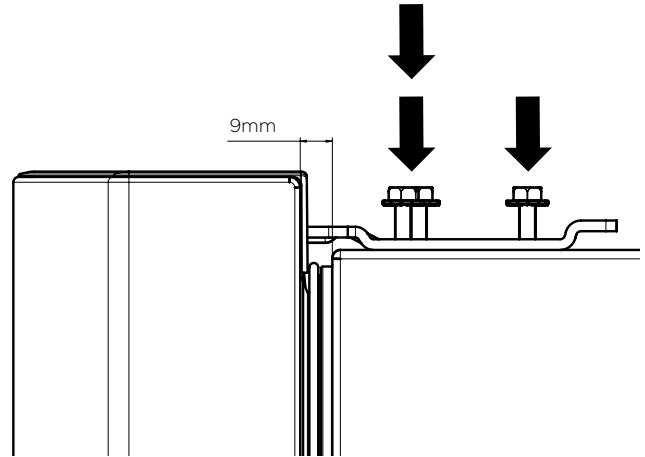


*NOTE: Tapping plate is not threaded. Screw is a thread forming screw.*

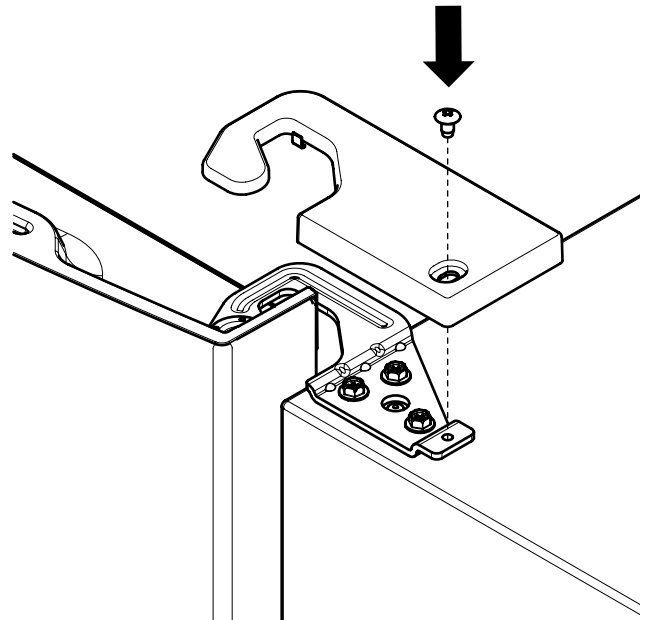
4. Fit door to bottom hinge pin on cabinet.
5. Lift top hinge and insert top hinge pin into door endcap.
6. Using 8mm socket finger tighten screw.
7. Drive other 2 top hinge screws into place using battery drill with 8mm socket leaving finger tight to allow alignment of door.



8. Align door.
  - Align handle side of door at top to be flush with cabinet.
  - Set door gasket gap (hinge side) to 9mm.



9. Tighten all 3 top hinge screws (recommended torque 8Nm).
10. Select correct handed and coloured hinge cover.
11. Open door and fit top hinge cover.
12. Close door and fit top hinge cover screw.



## TROUBLE SHOOTING GUIDE

### Trouble shooting guide

CONCERN	WHAT TO DO
Door alignment	Check bottom hinge alignment. Check top hinge alignment.
Door not closing properly	Check door gasket gap and top hinge alignment.
Door gasket no seal	Check door gasket gap and top hinge alignment.
Door gasket noisy	Check door gasket gap and top hinge alignment.
Door not sealing properly	Ensure there is nothing that nothing is preventing the door from closing such as appliance contents or items placed near the appliance. Ensure that the crisper/freezer bin is closed completely. Refit if required as referred to in the section "Using your refrigerator". Ensure the appliance is set up as per recommendations.
Door difficult to open and close	If the door is difficult to open just after you have closed it this is due to the pressure equalising, the door will open normally after a few minutes.

## NOTES

---

---

---

---

---

---

---

---

---

---

---

---

---

---

---

---

---

---

---

---

---

---

---

---

---

---

---

---

---





**For more information on all Westinghouse appliances, or for dimension and installation information, call into your retailer, phone or email our customer care team or visit our website:**

**AUSTRALIA**

phone: 1300 363 640  
 fax: 1800 350 067  
 email: [customercare@electrolux.com.au](mailto:customercare@electrolux.com.au)  
 web: [westinghouse.com.au](http://westinghouse.com.au)

**NEW ZEALAND**


phone: 0800 436 245  
 fax: 0800 225 088  
 email: [customercare@electrolux.co.nz](mailto:customercare@electrolux.co.nz)  
 web: [westinghouse.co.nz](http://westinghouse.co.nz)

**TOP SERVICE**

Top Service encompasses the after sales service provided by The Electrolux Group to consumers including delivery, home service and spare parts.

**Important Notice**

<p><b>FOR SERVICE</b>                  or to find the address of your nearest state service centre in Australia  <b>PLEASE CALL 13 13 49</b>                  For the cost of a local call (Australia only)</p>	<p><b>SERVICE AUSTRALIA</b>   <b>Electrolux</b>                  ELECTROLUX HOME PRODUCTS  <a href="http://www.electrolux.com.au">www.electrolux.com.au</a></p>	<p><b>FOR SPARE PARTS</b>                  or to find the address of your nearest state spare parts centre in Australia  <b>PLEASE CALL 13 13 50</b>                  For the cost of a local call (Australia only)</p>
<p><b>FOR SERVICE</b>                  or to find the address of your nearest authorised service centre in New Zealand  <b>FREE CALL 0800 10 66 10</b>                  (New Zealand only)</p>	<p><b>SERVICE NEW ZEALAND</b>   <b>Electrolux</b>                  ELECTROLUX (NZ) Limited  <a href="http://www.electrolux.co.nz">www.electrolux.co.nz</a></p>	<p><b>FOR SPARE PARTS</b>                  or to find the address of your nearest state spare parts centre in New Zealand  <b>FREE CALL 0800 10 66 20</b>                  (New Zealand only)</p>

 and WESTINGHOUSE are trademarks of Westinghouse Electric Corporation. Used under license by Electrolux Home Products Pty Ltd. All Rights Reserved.