

## **ELECTRIC BUILT-IN OVENS**

WVE606, WVE607, WVE613, WVES613L/R,  
WVE614, WVE615, WVPE615, WVE616,  
WVE617, WVPE618, WVE626, WVPE627,  
WVE636, WVE645, WVE655, WVE665

## CONGRATULATIONS

Dear customer,

Congratulations and thank you for choosing our oven.

We are sure you will find it a pleasure to use. Before you use the oven, we recommend that you read through the relevant sections of this manual, which provides a description of your appliance and its functions.

To avoid the risks that are always present when you use an appliance, it is important that the appliance is installed correctly and that you read the safety instructions carefully to avoid misuse and hazards.

We recommend that you keep this instruction booklet for future reference and pass it on to any future owners.

After unpacking the appliance, please check it is not damaged. If in doubt, do not use the appliance but contact your local customer care centre.

This appliance complies with requirements of Australian Standard AS/NZS 60335.2.6.

### Conditions of use

This appliance is intended to be used in household and similar applications such as:

- Staff kitchen areas in shops, offices and other working environments
- Farm houses
- By clients in hotels, motels and other residential type environments
- Bed and breakfast type environments

**Please ensure you read the instruction manual fully before you call for service, or a full service fee could be applicable.**

Record model and serial number here:

Model number:.....

Serial number:.....

PNC:.....

### IMPORTANT INFORMATION THAT MAY IMPACT YOUR MANUFACTURER'S WARRANTY

Adherence to the directions for use in this manual is extremely important for health and safety. Failure to strictly adhere to the requirements in this manual may result in personal injury, property damage and affect your ability to make a claim under the Westinghouse manufacturer's warranty provided with your product. Products must be used, installed and operated in accordance with this manual. You may not be able to claim on the Westinghouse manufacturer's warranty in the event that your product fault is due to failure to adhere to this manual.

## CONTENTS

Important safety instructions.....	3
Product description	
WVE613, WVES613, WVE614, WVE615, WVE616, WVE606, WVE607, WVE617, WVEP618, .....	5
Product description	
WVE645S, WVEP615, WVE626, WVE636, WVEP627, WVE655, WVE665 .....	6
Before first use .....	7
Installing your oven accessories .....	8
Using your oven.....	11
Cooking guide .....	22
Grilling guide .....	23
Steam cooking guide .....	24
Dealing with cooking problems .....	26
Getting to know the oven.....	27
Care and cleaning .....	28
Using your cooktop.....	39
Troubleshooting.....	40
Installing your appliance.....	42
Warranty.....	47

Please read the user manual carefully and store in a handy place for later reference.

The symbols you will see in this booklet have these meanings:



### WARNING

This symbol indicates information concerning your personal safety.



### CAUTION

This symbol indicates information on how to avoid damaging the appliance.



### IMPORTANT

This symbol indicates tips and information about use of the appliance.



### ENVIRONMENT

This symbol indicates tips and information about economical and ecological use of the appliance.

## IMPORTANT SAFETY INSTRUCTIONS

Please read the user manual carefully and store in a handy place for later reference.



### IMPORTANT

Important – check for any damages or marks.

- If you find the oven is damaged or marked, you must report it within 7 days if you wish to claim for damage/marks under the manufacturer's warranty. This does not affect your statutory rights.
- Discolouration of the enamel has no effect on the performance of the appliance.



### ENVIRONMENT

Information on disposal for users

- Most of the packing materials are recyclable. Please dispose of those materials through your local recycling depot or by placing them in appropriate collection containers.
- If you wish to discard this product, please contact your local authorities and ask for the correct method of disposal.



### WARNING

These warnings have been provided in the interest of safety. You **MUST** read them carefully before installing or using the appliance.

- An authorised person must install this appliance and carry out servicing. (Certificate of Compliance to be retained)
- Before using the appliance, ensure that all packing materials are removed from the appliance.
- Always be careful when you move the appliance because it is heavy. Always wear safety gloves.
- Do not pull the appliance by the door handle.
- This appliance must be earthed.
- In order to avoid any potential hazard, the enclosed installation instructions must be followed.
- Ensure that all specified vents, openings and air spaces are not blocked.
- Do not modify this appliance.
- This appliance must not be used as a space heater.
- Where the appliance is built into a cabinet, the cabinet material must be capable of withstanding 70°C. If adjacent to vinyl wrapped surfaces, use installation kit from vinyl wrap supplier.
- Ensure the appliance is switched off before cleaning or replacing parts. This can be done by switching off the appliance via the powerpoint or isolating switch (if available), or the switchboard.
- Do not use steam cleaners, as this may cause moisture build up.
- Switch the appliance off before removing the oven light glass for globe replacement.
- Do not open the oven door during steam cooking.
- Steam can be released. There is a risk of skin burns. There is a risk that steam causes moisture damage to cabinets.
- Allow the oven to cool down for 30 minutes before you drain the water tank in a steam oven. Scalding water may be released.
- Always keep the appliance clean. Ensure fats and oils do not accumulate around elements, burners or fans.
- Care must be taken when wiping exposed stainless steel edges...they can be sharp!
- Do not spray flammable materials in or under the appliance, e.g. aerosols.
- Do not leave the grill on unattended.
- Always turn the grill off immediately after use as fat left behind may catch fire.
- Do not cover the grill insert with foil, as fat left there may catch fire.
- Always keep the oven dish, grill dish and bake trays clean as any fat residue may catch fire.
- To avoid an accident, ensure that the oven shelves and fittings are always inserted into the appliance in accordance with the instructions.
- The door glass on this appliance is made from a tough, durable material that withstands heating and cooling without breaking. As a precaution however, do not put cold water on hot glass.
- Door glass that is damaged should be immediately replaced.
- This appliance is not intended for use by persons (including children) with reduced physical, sensory or mental capabilities, or lack of experience and knowledge, unless they have been given supervision or instruction concerning use of the appliance by a person responsible for their safety.
- Children should be supervised to ensure that they do not play with the appliance.
- Accessible parts will become hot when in use. To avoid burns and scalds, children should be kept away.
- During use, this appliance becomes hot. Care should be taken to avoid touching hot surfaces, e.g. oven door, heating elements or internal surfaces of the oven.
- Always use gloves when handling hot items inside the oven.
- To maintain safe operation, it is recommended that the product be inspected every 5 years by an authorised service person.
- New appliances can have an odour during the first operation. It is recommended to 'run in' the oven before you cook. Run the oven(s) at 180°C for 30 minutes and ensure the room is well ventilated.
- This appliance must not be installed behind a decorative door.
- The cooking process has to be supervised. A short term cooking process has to be supervised continuously.

## IMPORTANT SAFETY INSTRUCTIONS

### Cooktop only

- If the ceramic glass on cooktop is accidentally cracked, switch off the appliance to avoid the possibility of electric shock.
- Unattended cooking on a hob with fat or oil can be dangerous and may result in a fire.



### CAUTION

Read the following carefully to avoid damage to the appliance.

- The grill door must be left fully open whilst grilling in a separate grill wall oven and a separate grill underbench oven.
- The grill tray must be fully inserted whilst grilling.
- Do not place thick portions of food under the grill. Foods may curl, catch and ignite.
- Do not use the door as a shelf.
- Do not push down on the open oven door.
- Do not use harsh abrasive cleaners or metal scrapers to clean the oven door glass since they can scratch the surface which may result in shattering of the glass.
- Do not use harsh abrasive cleaners, powder cleaners, steel wool or wax polishes on enamel.
- Do not use sharp metal implements or utensils on any surface, as these may leave permanent scratches or marks.
- Do not use stainless steel cleaners, abrasive cleaners

or harsh solvents to clean your stainless steel appliance.

- Do not line the bottom of the oven or grill with foil or cookware, it will damage the enamel.
- Do not use the base of the oven for cooking - it will damage the enamel.
- Do not put water directly into the hot appliance.
- Always clean the appliance immediately after any food spills.

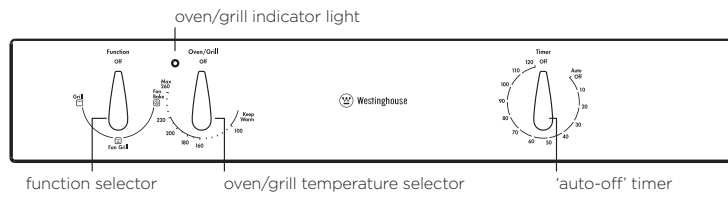
### Cooktop only

- Do not allow pots to boil dry as damage to both pan and cooktop may result.
- Do not operate the cooktop for an extended period of time without a utensil on the hot plate.
- Do not allow large cookware to overhang onto the adjacent benchtop. This will cause scorching to the benchtop surface.
- Do not place heat resistant mats, wire mats or aluminium foil under pots or pans.
- Do not cook food directly on the ceramic glass surface.
- Do not use round bottom woks, wok stands or similar utensils that could lead to overheating of hotplates and possible damage to the cooking surface.
- Do not operate this appliance by means of an external timer or separate remote control system.
- Danger of fire: Do not store items on cooking surfaces.

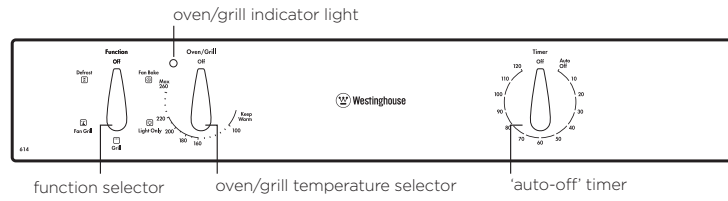
*NOTE: You must read these warnings carefully before installing or using the appliance. If you need assistance, contact your Customer Care Centre. The manufacturer will not accept liability, should these instructions or any other safety instructions incorporated in this book be ignored.*

# PRODUCT DESCRIPTION

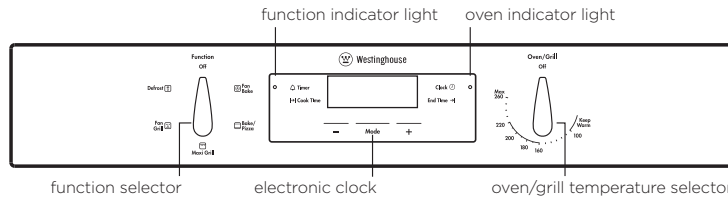
**WVE613 & WVES613**



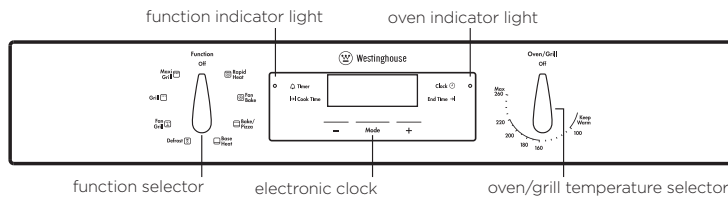
**WVE614**



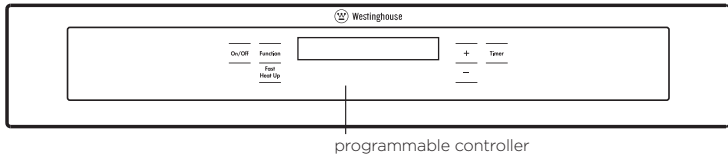
**WVE615 & WVE606**



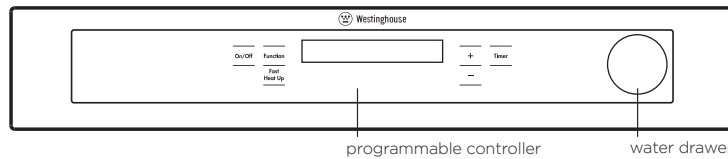
**WVE616**



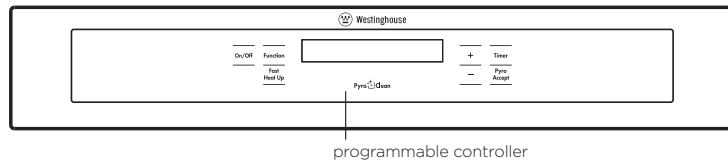
**WVE607**



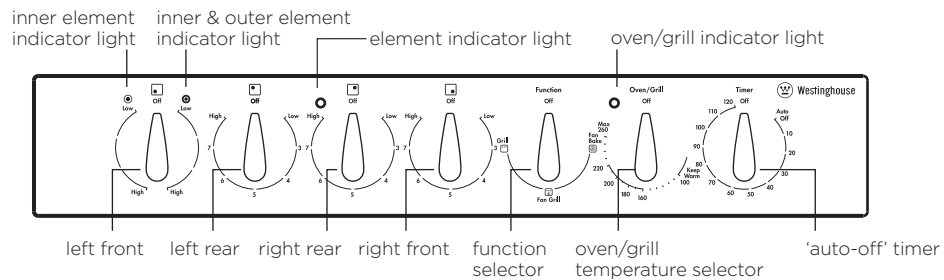
**WVE617**



**WVEP618**

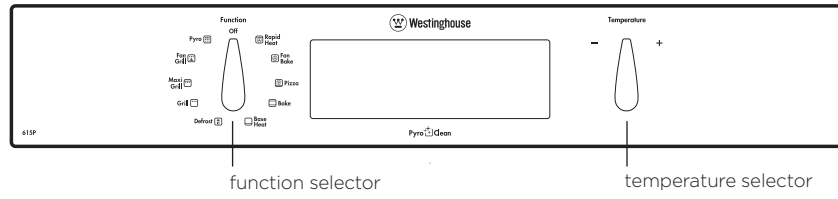


**WVE645S**



# PRODUCT DESCRIPTION

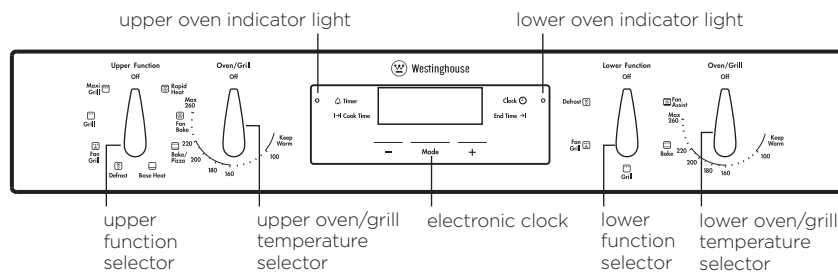
**WVEP615**



function selector

temperature selector

**WVE626**



upper oven indicator light

lower oven indicator light

upper function selector

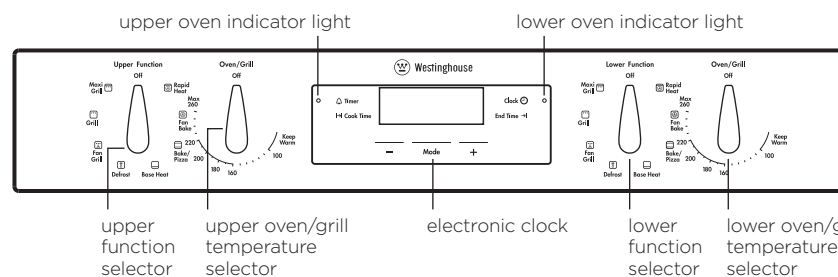
upper oven/grill temperature selector

electronic clock

lower function selector

lower oven/grill temperature selector

**WVE636**



upper oven indicator light

lower oven indicator light

upper function selector

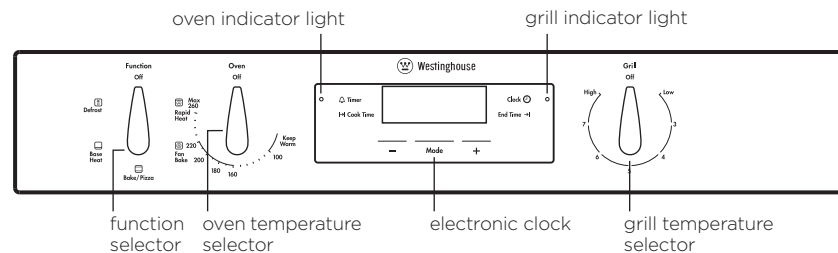
upper oven/grill temperature selector

electronic clock

lower function selector

lower oven/grill temperature selector

**WVE655**



oven indicator light

grill indicator light

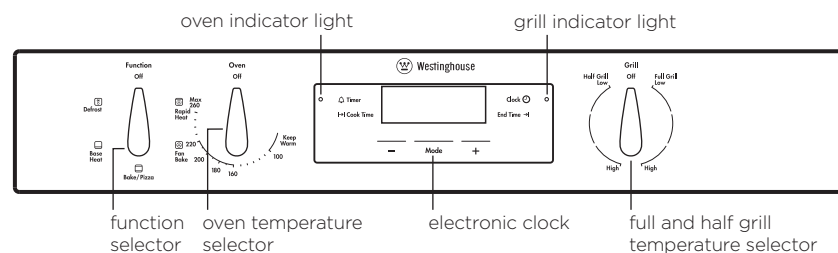
function selector

oven temperature selector

electronic clock

grill temperature selector

**WVE665**



oven indicator light

grill indicator light

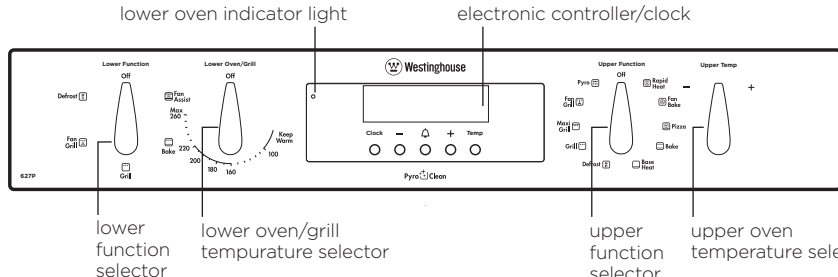
function selector

oven temperature selector

electronic clock

full and half grill temperature selector

**WVEP627**



lower oven indicator light

electronic controller/clock

lower function selector

lower oven/grill temperature selector

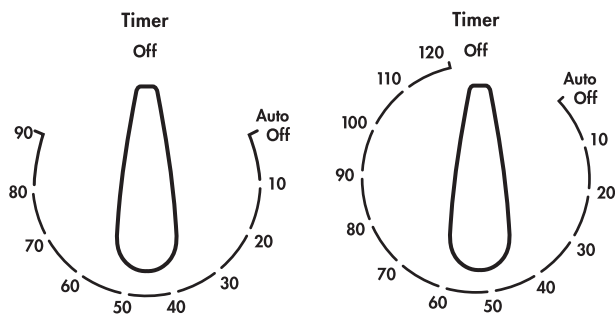
upper function selector

upper oven temperature selector

# BEFORE FIRST USE

## Preparing your appliance for the first time

- Please remove all internal boxes and bags from the oven before operation.
- Please wipe out the oven interior prior to operation with warm soapy water and polish dry with a soft clean cloth. Do not close the oven door until the oven is completely dry.
- If your appliance is fitted with a mechanical “Auto Off” timer, make sure it is set to “Off” marker for manual operation.




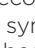
### CAUTION

- Do not line the oven with foil as it will damage the enamel.
- New appliances can have an odour during first use. It is recommended to ‘run in’ the oven before cooking for the first time. Operate the oven(s), empty, at a temperature of 180°C for approximately 30 minutes. For appliances with a separate grill, run the grill on maximum for 15 minutes WITH GRILL DOOR OPEN. Please ensure that the room is well ventilated during this process.

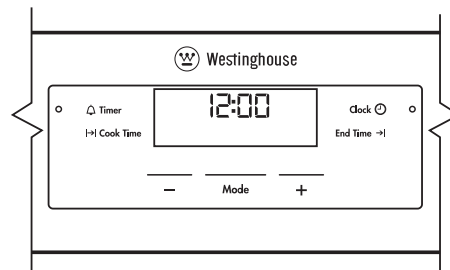
## Setting the time of day

If you have purchased a model fitted with an electronic clock or programmable controller, you must set the time of day before you can operate your appliance.


### Electronic clock

- After the appliance has been electrically connected, “12:00” will be displayed and the “Clock” indicator symbol  will flash.
- To set the time of day, press the **-** or **+** symbols.
- After 5 seconds from the last change, the “Clock” indicator symbol  will disappear, confirming the time has been set.

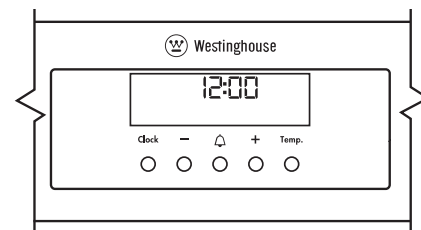
*NOTE: The clock has a 24-hour display.*




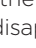
### WVVEP615, WVVEP627 controller

- After the appliance has been electrically connected, “12” and the “Set Clock” symbol  will flash.
- To set the time of day “Hours” press the **-** or **+** buttons.
- Press the “Clock” button and the time of day “Minutes” will flash and can be set in the same manner.
- After 5 seconds from the last change, the clock display will stop flashing, confirming the time is set.

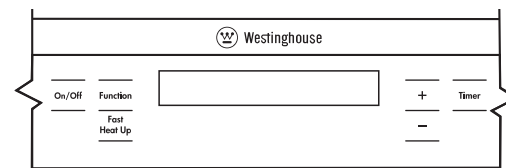
*NOTE: The clock has a 24-hour display.*



### Programmable controller (WVE607, WVE617 & WVVEP618)

- After the appliance has been electrically connected, the “Set clock” symbol  will flash on the clock display.
- To set the time of day, press **-** or **+** symbols.
- After 5 seconds from the last change the “Timer arrow” symbol  will disappear, confirming the time has been set.

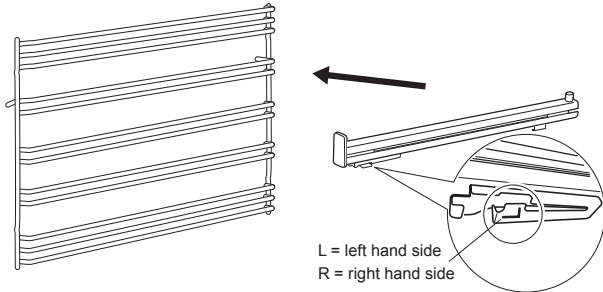
*NOTE: The clock has a 24-hour display.*



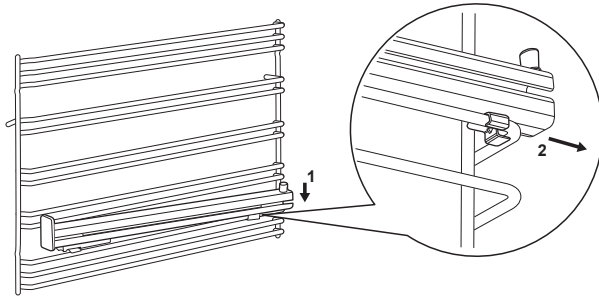
# INSTALLING YOUR OVEN ACCESSORIES

## Slides (Telescopic runners)

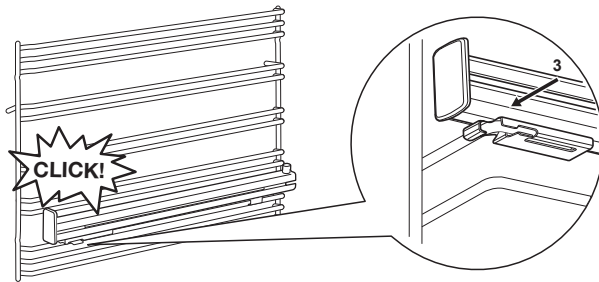
1. Obtain left hand side rack and left hand slide – see image to identify.



2. Fit slide rear clips to the rear of wire at an angle as shown below.



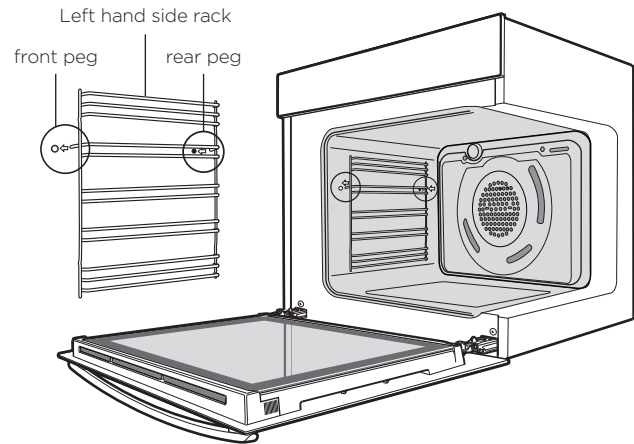
3. Push slide front clip over wire until secure.



- The catalytic liners attach to each side of your oven. There is a left hand and right hand version. The black, shiny side of the liner needs to touch the oven wall, while the coarse side faces the centre of the oven.
- Depending on the model, catalytic liners may or may not have a cutout for the side light.
- To install the catalytic liner, firstly fit the liner onto the side rack. The combined liner and side rack can then be fitted onto the side of the oven.

## Side racks

- The side racks attach to each side of your oven. There is a left hand and right hand version (see image below for details).
- Insert the rear peg into the rear access hole provided, ensuring that the peg is fully inserted.
- Then locate the front peg into the front access hole and push in firmly.
- For the grill compartments on WVE626 and WVE665 models, the side rack fitment is the same as above.



## Catalytic liners (on selected models)

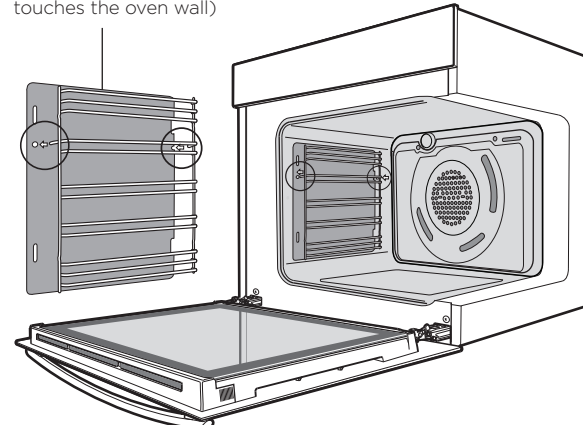
### **i** IMPORTANT

Models which contain catalytic liners have 2 catalytic side liners (to be fitted by you) and a catalytic fan cover (already fitted).

*NOTE: If your model does not have catalytic liners, they are available for purchase from the Customer Care Centre.*

Catalytic liners are coated with a specially formulated enamel coating. This porous coating enables a “self cleaning” process. Catalytic liners must be installed first but you can omit them, if you wish, with no effect to cooking performance. Their sole purpose is to make oven cleaning easier.

Left hand liner (shiny side touches the oven wall)





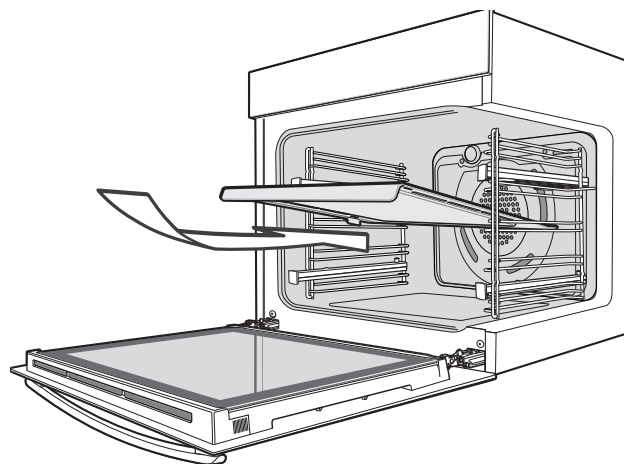
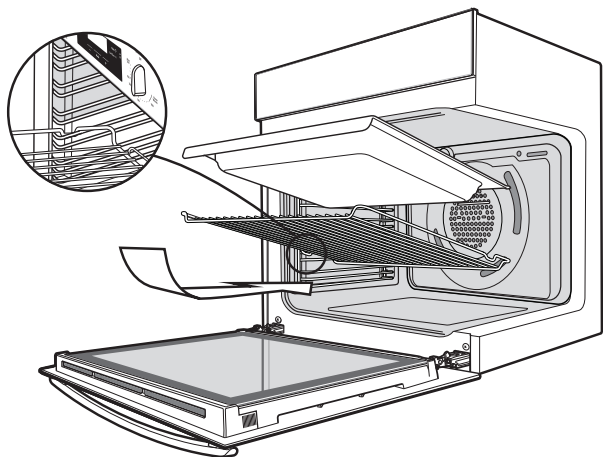
## Shelves and trays

### IMPORTANT

The shelves are designed so that they have maximum travel but cannot be accidentally pulled right out. The trays are designed the same way and fit straight into the side racks.

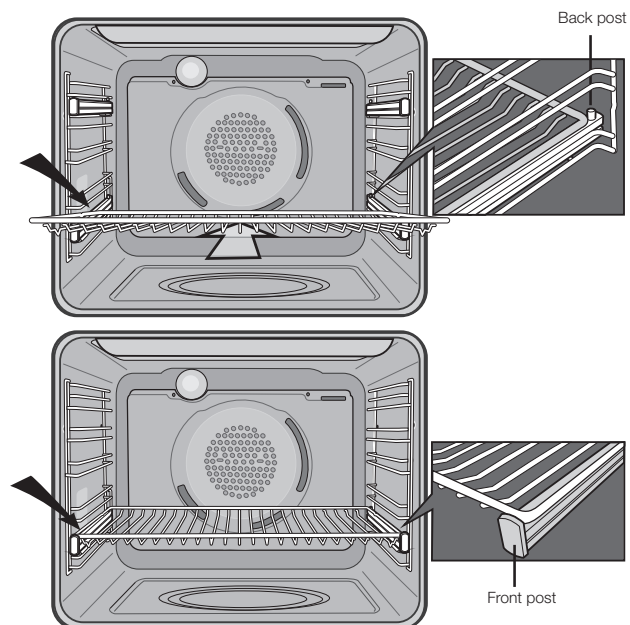
To fit a shelf or tray to side racks:

- Locate the rear edge of the shelf/tray in between 2 guide rails of the side rack - see diagram. Ensure the same rail positions on both sides of the oven are being engaged.
- With the front edge raised, begin to slide the shelf into the oven.
- Once the detents have passed the front edge of the side rack, the shelf can be pushed completely in.
- The grill/baking tray for separate grill wall oven models slides into the wire runners in a similar manner.
- When fully inserted the shelf/tray should not interfere with the closed oven door.
- Remove extra trays and dishes before roasting or baking.



To fit a shelf or tray to telescopic slides (where fitted):

- With the slides fully pushed in, push the shelf or tray along the top of the slide until it hits the back post.
- Drop the front of the shelf or tray onto the slide ensuring it sits behind the front post of the slide.
- When fully inserted the shelf/tray should not interfere with the closed oven door.



## INSTALLING YOUR OVEN ACCESSORIES

### Shelves and trays (WVEP615 only)

#### IMPORTANT

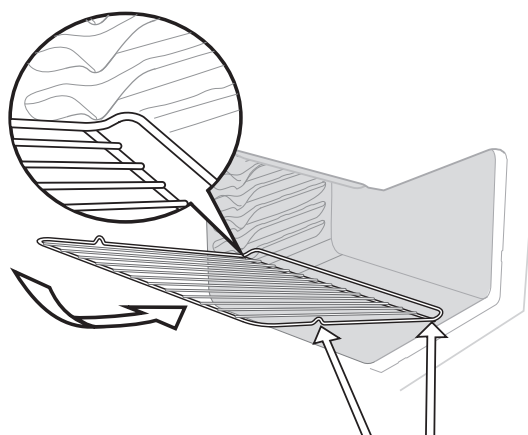
Your oven comes with formed “easy clean” runners. The shelves are designed to travel freely on runners without being pulled out accidentally. Make sure you have the shelf in the correct orientation before you slide it in, otherwise it could become jammed.

- Locate the rear edge of the shelf in the recess between 2 formed runners.

*NOTE: The Top ‘Ledge’ is not a shelf position.*

- With the front edge raised, begin to slide the shelf into the oven. Lower the front edge as you push the shelf completely in.
- The grill/baking tray for underbench oven models sits into a wire carrier that fits into the oven exactly like the shelves.
- When fully inserted, the shelf/tray should not interfere with the closed oven door.

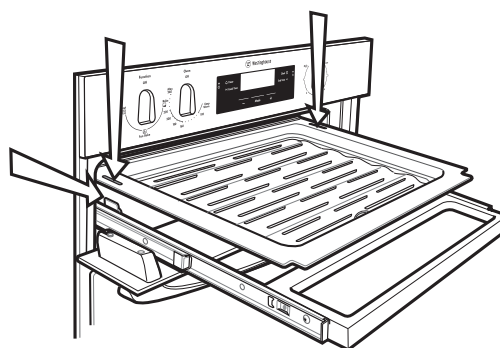
*NOTE: Shelves and accessories must be removed when using pyrolytic cleaning function.*



note the orientation of the side and rear features

### Shelves and trays (WVE655 only)

- To insert the grill tray in a separate grill underbench product, open the grill door and fully extend the grill drawer. Position the grill tray so that the slots on the outer edges fit over the tabs on the slides.



## USING YOUR OVEN

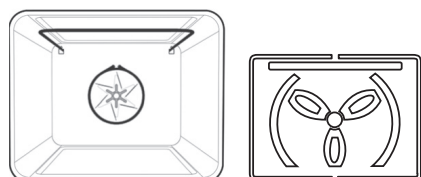
### Understanding your oven functions

Your oven will have a selection of the following functions. Refer to "Description of your appliance" to confirm what functions are available to you.

#### Large oven

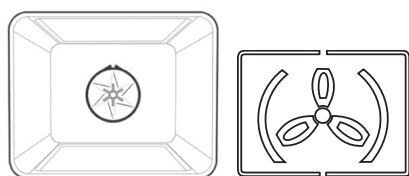
#### Rapid Heat/Fast Heat Up (FHU)

Heat comes from the element surrounding the fan as well as the smaller element above the food. This allows you to preheat your oven 30% quicker than with standard "Bake". "Rapid heat" is ideal for cooking frozen pre-cooked foods such as savoury pastries, pizzas, mini meals (TV dinners), meat pies and fruit pies. Simply place the food in the oven straight from the freezer and heat - ideal for busy people.



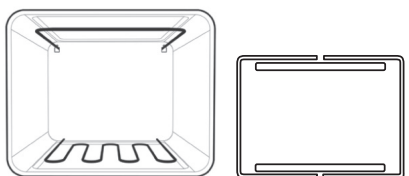
#### Fan Bake

Heat comes from the element surrounding the fan. This fan circulates the hot air around the oven cavity so that you can put your food in different places in the oven and still cook them at the same time. You can use the "Fan bake" function for multi-shelf cooking, reheating cooked foods, pastries and complete oven meals. It will cook at a lower temperature and be faster than baking. Please note that some variation in browning is normal.



#### Bake/Pizza

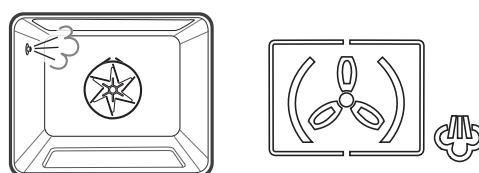
Heat comes from two elements, one above and one below the food. The bottom element is a clean heat element and is below the floor of the oven. Both elements are controlled by the thermostat and will turn on and off to maintain the set temperature. You can use the "Bake" function for a single tray of biscuits, scones, muffins, cakes, slices, casseroles, baked puddings, roasts and delicate egg dishes.



#### Steam Assisted Cooking (WVE617 model only)

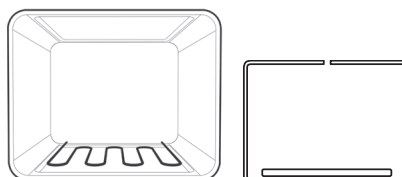
Perfect for all kinds of meat, poultry and fish dishes. The hot air ensures the outside of the food is sealed whilst the steam keeps the inside tender. Steam comes from the outlet pipe and heat comes from the element surrounding the fan. This fan circulates the hot air and steam around the oven cavity so that you can position the food anywhere in the oven. The browning of meat or fish will be perfect, with the best cooking result at the core. Shape will be preserved and evenly firm. Vegetables will retain a high level of nutrients.

*NOTE: Steam will only start if the water tank has been filled and the oven temperature is above 130°C.*



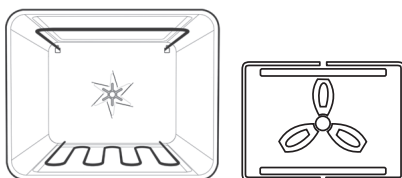
#### Base Heat

Heat comes from the element below the food. The element is controlled by the thermostat and will turn on and off to maintain the set temperature. The "Base heat" function can be used to add extra browning to the bases of pizzas, pies and pastries. Cook in the lower half of the oven when you are using only one shelf. For best results, use silver or shiny trays.



#### Fan Assist

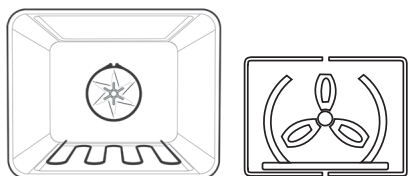
Heat comes from two elements, one above and one below the food. The fan circulates the hot air around the oven cavity so that you can put the food in different places in the oven and still cook them at the same time. You should only use a maximum of 2 shelves with "Fan assist". Do not use the bottom shelf. If two shelves are used, the food on the shelf in the higher position will cook first and should then be removed to allow the food on the lower shelf to finish cooking.



## USING YOUR OVEN (CONTINUED)

### Pizza

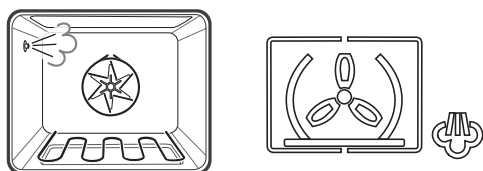
“Pizza” is a combination of “Base heat” and “Fan bake” and offers you the combined benefits of both functions. Heat comes from the element surrounding the fan as well as the clean heat element below the oven floor. The “Pizza” function is ideal for foods that require cooking and browning on the base. It is great for foods such as pizzas, quiches, meat pies and fruit pies. Simply place the food in the middle of the oven and set the desired temperature.



### Pizza + Steam (WVE617 model only)

This function creates a great pizza in terms of crispy crust and uniform browning on top. “Pizza + Steam” is a combination of “Base heat”, “Fan bake” and “Steam” and offers you the combined benefits of each of these functions. Heat comes from the element surrounding the fan as well as the clean heat element below the oven floor.

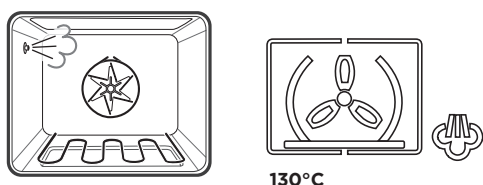
*NOTE: Steam will only start if the water tank has been filled and the oven temperature is above 130°C.*



### Steam Reheat (WVE617 model only)

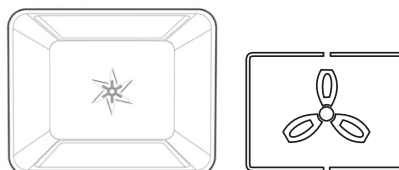
A great function for reheating dishes like rice, pasta and pizza that can suffer from dryness in normal ovens or soggy in microwave ovens. Steam comes from the outlet pipe and heat switches from between the element surrounding the fan and the clean heat element below the oven floor. This function has a set temperature of 130°C.

*NOTE: Steam will only start if the water tank has been filled and the oven temperature is above 130°C.*



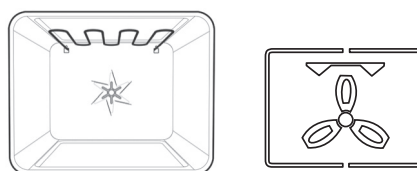
### Defrost

The “Defrost” function uses low temperature air which is circulated by the fan. You can defrost (thaw) your food before you cook it. Also you may use “Defrost” to raise yeast dough or to dry fruit, vegetables or herbs.



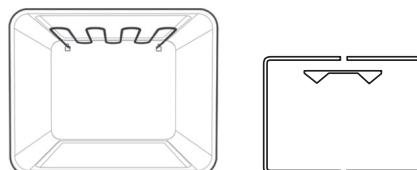
### Fan Grill (grill in oven models only)

“Fan grill” offers you the benefits of both “Bake” and traditional “Grill” functions. The grill element turns on and off to maintain the set temperature while the fan circulates the heated air. The oven door remains closed for fan grill. You can use “Fan grill” for large cuts of meat in the oven which gives you a result that is similar to “roisserie” cooked meat. Put your food on a shelf in the second lowest shelf position. Put the grill dish on the lowest shelf position to catch any spills. When using “Fan grill” it is not necessary to turn the food over during the cooking cycle. Set temperature to 180°C.



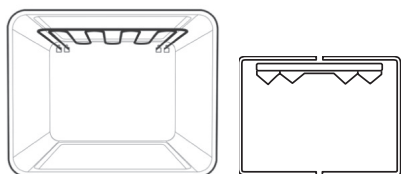
### Grill (grill in oven models only)

“Grill” directs radiant heat from the powerful upper element onto the food. You can use the “Grill” function for tender cuts of meat, steak, chops, sausages, fish, cheese toasties and other quick cooking foods. Grill with the oven door closed. Preheat your grill for 3 minutes to get the best results. This will help seal in the natural juices of steak, chops etc. for a better flavour. You can slide your grill dish into either of the 2 spaces within the upper pairs of support rails.



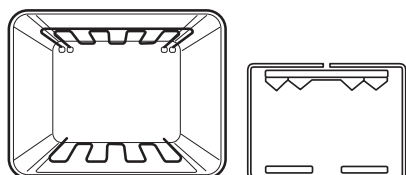
### Maxi Grill (grill in oven models only)

“Maxi grill” directs radiant heat from 2 powerful upper elements onto the food. You can use the “Maxi grill” function for tender cuts of meat, steak, chops, sausages, fish, cheese toasties and other quick cooking foods. Grill with the oven door closed. “Maxi grill” allows you to take full advantage of the large grill dish area and will cook faster than normal “Grill”. For best results it is recommended to preheat your grill for 3 minutes. This will help seal in the natural juices of steak, chops etc. for a better flavour.



### Pyro Clean (WVEP615, WVEP618 & WVEP627 models only)

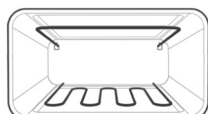
The “Pyrolytic cleaning” function is used for cleaning the main oven. It cleans by burning off the spatters and temperature. This process produces ash which can be wiped out of the oven cavity.



### Small oven/grill

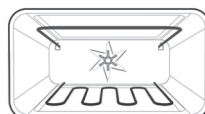
#### 1. Bake (duo small oven only)

Heat comes from two elements, one above and one below the food. The bottom element is a clean heat element and is below the floor of the oven. Both elements are controlled by the thermostat and will turn on and off to maintain the set temperature. You can use the “Bake” function for a single tray of biscuits, scones, muffins, cakes, slices, casseroles, baked puddings, roasts and delicate egg dishes.



### Fan Assist (duo small oven only)

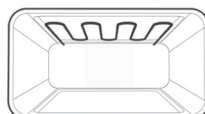
Heat comes from two elements, one above and one below the food. The fan circulates the hot air around the oven cavity to deliver very even cooking.



### Grill (small oven only)

The “Grill” directs radiant heat from the powerful upper element onto the food. You can use the “Grill” function for tender cuts of meat, steak, chops, sausages, fish, cheese toasties and other quick cooking foods. Preheat your grill for 3 minutes to get the best results. This will help seal in the natural juices of steak, chops etc. for a better flavour. The grill dish should be positioned between the upper pair of support rails.

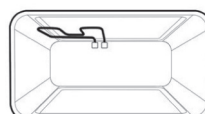
*NOTE: Grill with the grill door open.*



### Split Grill (small oven only)

The “Split grill” works in the same way as a full width grill but with the added advantage of being able to optimise the energy usage for smaller servings.

*NOTE: Grill with the grill door open.*



## USING YOUR OVEN (CONTINUED)

### IMPORTANT

#### Cooling/Venting fan

This appliance is fitted with a cooling fan. This prevents your kitchen cabinet from overheating and reduces the condensation inside the oven. It will operate whenever you are using the oven and blow warm air across the top of the oven door.

*NOTE: For selected models only. When setting delayed start, the cooling fan will operate as soon as the function is selected. This will minimise condensation build up in the appliance.*

#### Condensation and steam

This appliance is supplied with an exclusive system which produces a natural circulation of air and the constant recycling of steam. This steam makes it possible to cook in a steamy environment ensuring that dishes are soft inside and crusty on the outside. This process also reduces cooking time and energy consumption. During cooking, steam may be produced and released when the door is opened. This is absolutely normal. When food is heated, it produces steam in the same way a boiling kettle does. When steam comes into contact with the oven door glass, it will condense and produce water droplets. To reduce condensation, ensure that the oven is pre-heated before placing food in the oven cavity. It is recommended that condensation is wiped away after each use of the oven.

#### The effects of dishes on cooking results

Dishes and tins vary in their thickness, conductivity, colour etc. which affects the way they transfer heat to the food.

- Aluminium, earthenware, oven glassware and bright shiny utensils reduce cooking and base browning.
- Enamelled cast iron, anodized aluminium, aluminium with non-stick interior and coloured exterior and dark, heavy utensils increase cooking and base browning.
- To increase base browning simply lower the shelf position. To increase top browning, raise the shelf position.
- Always place dishes centrally on the shelf to ensure even browning.
- Single level cooking gives best results in conventional modes. If cooking on more than one level use a fan cooking function.

#### Operating your oven temperature selector (selected models only)

A thermostat controls the temperature in your appliance. The temperature can be selected within the specified range. To set the temperature, turn the temperature selector in a clockwise direction to the desired setting. An indicator light above the temperature selector will come on. When the set temperature is reached, the element switches off and the indicator light goes off. When the oven temperature falls below the set temperature, the element switches on and the oven indicator light comes on again.

### CAUTION

Once the food is cooked, turn the temperature selector back in an anti-clockwise direction. Do not force it right round in a clockwise direction as this will result in damage to the thermostat.

*NOTE: For multifunction ovens the desired cooking function must be selected before the oven will operate. Once the desired function has been selected, use the temperature selector to set the required temperature.*

#### Pre-heating your appliance

For best results when baking you must pre-heat the oven for 30 minutes. Pre-heat the grill for 3 minutes to obtain best results. Pre-heating your appliance allows it to reach the required temperature quickly and efficiently. When baking bread or cakes, load the oven as quickly as possible after pre-heating and leave the oven door open for the shortest time. This will minimise loss of heat from the oven and ensure the best results.

#### Pre-heating with “Rapid Heat” (selected models only)

For electric multifunction appliances preheat your oven by selecting the “rapid heat” function. This function allows your oven to reach the preset temperature quicker than any other cooking function.

- Turn the function selector to “Rapid Heat”.
- Set the desired pre-heat temperature, by rotating your oven temperature selector. When the indicator light goes out the oven has reached the desired preset temperature. Select the oven function you require for cooking or baking and place your food into the oven.

#### Pre-heating with “Fast Heat Up - FHU” (WVE617 and WVEP618 models only)

“Fast Heat Up” can be selected in the initial heat up phase of any cooking function. During “Fast Heat Up”, the heat comes from the element surrounding the fan as well as the smaller element above the food. This allows you to preheat your oven 30% quicker than on standard “Bake”.

#### Pre-heating with other functions

- It is recommended you preheat your appliance when cooking or baking.
- Set the desired pre-heat temperature, by rotating your oven temperature selector. When the indicator light goes out the oven has reached the desired preset temperature, place your food into the oven.

#### Pre-heating “grill”

- Preheat the grill for at least 3 minutes to obtain best results. This will help to seal the natural juices of steak, chops and other meats for a better flavour.

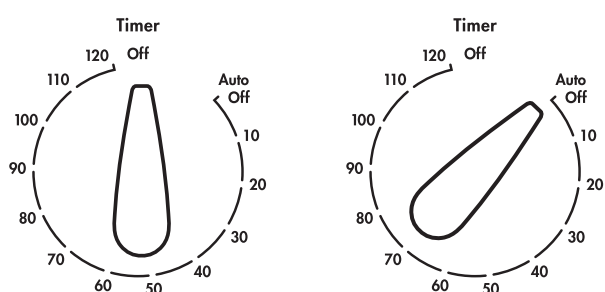
## Cooking with your timer (selected models only)



Set the timer clockwise. Do not force anticlockwise or damage to the timer will result.

### 120 minute “Auto off” timer

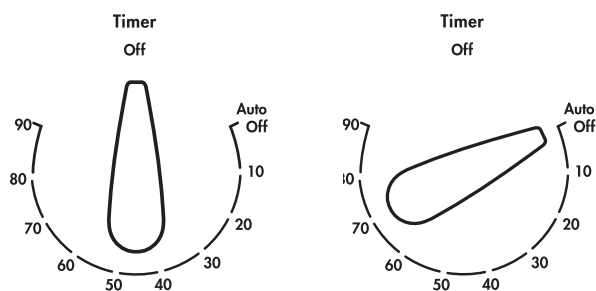
The 120 minute timer features an automatic oven cut off. This means that a cooking period of up to 120 minutes can be set. When the timer has counted back to “Auto off”, a bell will sound and the oven will automatically switch off.



Once automatic baking is complete, return to manual operation by setting the timer to the “OFF” mark.

### 90 minute “Auto Off” timer

The 90 minute timer features an automatic oven “cut off”. This means that a cooking period of up to 90 minutes can be set. When the timer has counted back to “Auto Off”, a ding will sound and the oven will automatically switch off.

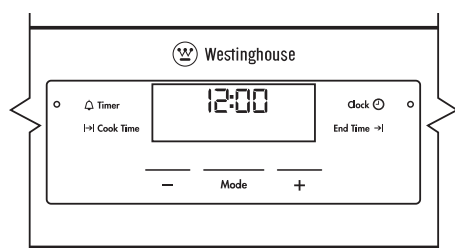


Once automatic baking is complete, return to manual operation by setting the timer to the “OFF” mark.

*NOTE: It is not recommended to use this timer for short durations (e.g. boiling eggs).*

*NOTE: For any time below fifteen minutes turn the knob past the forty minute mark then turn back to the required number of minutes. When the timer returns to zero/off position, the timer gives a short ring/ding.*

### Operating the electronic clock (selected models only)

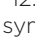




## General features

The oven is equipped with an electronic clock that can be used to turn the oven on and off automatically. The ‘Cook time’ function automatically turns the oven off after a set amount of time. The ‘End time’ function is used to set the time of day you want the cooking cycle to finish. A “Delayed start” is possible by combining the “Cook time” and “End time” features to switch the oven on and off at a specific time during the day.




**NOTE: Your touch control clock only operates with your main oven.**

### Setting the time of day (after electrical connection)

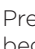



1. After the appliance has been electrically connected, “12.00” will be displayed and the “Clock” indicator symbol  will flash.
2. To set the time of day, press the **-** or **+** symbols while the “Clock” indicator symbol  is flashing.
3. After 5 seconds from the last change, the “Clock” indicator symbol  will disappear, confirming the time has been set.

*NOTE: The clock has a 24-hour display.*

### Changing the time of day

1. Press “Mode” until the “Clock” indicator symbol  begins flashing.
2. To set the time of day, press the **-** or **+** symbols while the “Clock” indicator symbol  is flashing.
3. After 5 seconds from the last change, the “Clock” indicator symbol  will disappear, confirming the time has been set.


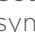

### Setting the minute minder

1. Press “Mode” until the “Timer” indicator symbol  begins flashing.
2. Set the countdown time by using **-** and **+** symbols while the “Timer” indicator symbol  is flashing.
3. After 5 seconds from the last change, the “Timer” indicator symbol  will stop flashing, confirming the timer has been set. The countdown time remaining will appear on the display.
4. Once the set time has elapsed, a beeper will sound for 1 minute. The time indication “0.00” and a flashing “Timer” indicator symbol  will appear on the display.
5. To stop the beeper, press **-**, **+** symbols or “mode”.

*NOTE: This feature has no effect on the oven operation. With the minder operating, the time of day cannot be displayed.*


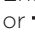

## USING YOUR OVEN (CONTINUED)

### Setting the cooking duration

1. Select the desired oven **Function** and **Temperature**. The oven indicator light will appear and the heating source will switch on.
2. Press **Mode** until the **Cook Time** indicator symbol  begins flashing.
3. Set the cooking duration by using **-** or **+** symbols while the **Cook Time** indicator symbol  is flashing.
4. After 5 seconds from the last change, the **Cook Time** indicator symbol  will stop flashing, and the time of day will be displayed.

*NOTE: Do not forget to add pre-heating time if necessary.*

### Setting the cooking end time

1. Select the desired oven **Function** and **Temperature**.
2. Press **Mode** until the **End Time** indicator symbol  begins flashing.
3. Enter the time of day to finish cooking by pressing **-** or **+** symbols while the **End Time** indicator symbol  is flashing.
4. After 5 seconds from the last change, the **End Time** indicator symbol  will stop flashing and the current time of day will be displayed.

### Setting the delayed start cooking time

1. Program the **Cook Time** and **End Time** as described in the relevant sections. Once both the **Cook Time** and **End Time** have been set, the **Cook Time** and **End Time** indicators will stop flashing and the current time of day will be displayed.

*NOTE: Do not forget to add pre-heating time if necessary.*

### To check or cancel settings settings

1. To check your settings, press **Mode** until the indicator symbol flashes next to the mode (**Cook Time**, **End Time** etc) that you want to display. After 5 seconds from the last change, the indicator will stop flashing and the time of day will be displayed.
2. To cancel "delayed start", press **Mode** until the indicator symbol flashes next to **End Time**. Press and hold **+** and **-** symbols together until the current time of day is displayed.
3. To cancel a setting, press "Mode" until the indicator symbol flashes next to the setting to be cancelled. Press and hold **-** and **+** symbols together until the setting is cleared.

### On completion of cooking

When the set time has elapsed, the oven will turn off, the timer will beep and the **End Time** and/or **Cook Time** indicators will flash.

1. Turn the **Function** and **Temperature** controls to the off position.

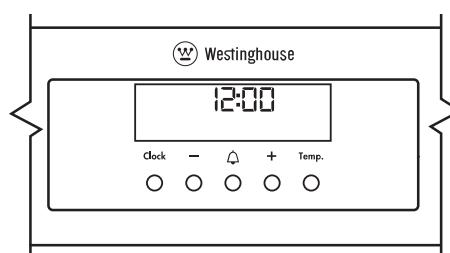
2. Press **-** or **+** symbols or **Mode** to stop the clock from beeping.

### Switching the clock display ON and OFF

1. Press together **-** and **+** symbols for 3 seconds to switch off the display.
2. Press together **-** and **+** symbols for 3 seconds to switch the clock display on again.

*NOTE: If a timer mode is set, then it is not possible to switch the display off.*

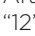

### Operating the Electronic Clock (WVEP615, WVEP627)



### General features

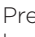

The oven is equipped with an electronic clock that can be used to turn the oven on and off automatically. The **Cook Time** function automatically turns the oven off after a set amount of time. The **End Time** function is used to set the time of day you want the cooking cycle to finish. A "Delayed start" is possible by combining the **Cook Time** and **End Time** features to switch the oven on and off at a specific time during the day.

Setting the time of day (after electrical connection):

1. After the appliance has been electrically connected, "12" and the "Set Clock" symbol  will flash.
2. To set the time of day "Hours" press the **-** or **+** buttons while the "Set Clock" symbol  is flashing.
3. Press the **Clock** button and the time of day "Minutes" will flash and can be set in the same manner.
4. After 5 seconds from the last change, the clock display will stop flashing, confirming the time is set.

*NOTE: The clock has a 24-hour display.*

### Changing the time of day

1. Press **Clock** button until the "Set clock" symbol  begins to flash on the clock display.
2. To set the time of day "Hours" press the **-** or **+** buttons while the "Set Clock" symbol  is flashing.
3. Press the **Clock** button and the time of day "Minutes" will flash and can be set in the same manner.
4. After 5 seconds from the last change, the clock display will stop flashing, confirming the time is set.

*NOTE: The clock has a 24-hour display.*



### Setting the oven function

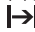


1. Turn the oven **Function** selector clockwise to select the desired oven function. The default temperature for that function will be shown on the display.
2. After 5 seconds from the last change, the oven will begin heating and the “Elapsed time” commences on the display.

### Changing the oven temperature

1. Toggle the **Temperature** selector left (←) or right (→) as required to set the desired cooking temperature. The temperature setting changes in increments of 5°C.
2. The set temperature is displayed for 5 seconds from the last change.



*NOTE: The temperature can be adjusted at any time. Oven temperature cannot be changed for the Defrost or Pyro function.*


### Setting the cooking duration

1. Select the desired oven function and cooking temperature.
2. Press “Clock” button until the **Cook Time** symbol  appears flashing.
3. Set the desired cooking duration “Minutes” by using — or + buttons while the **Cook Time** symbol  is flashing.
4. Press the **Clock** button and the cooking duration “Hours” will flash and can be set in the same manner.
5. After 5 seconds from the last change, the **Cook Time** symbol  will stop flashing confirming the cooking duration is set.
6. A countdown of the “Cooking time remaining” will be shown on the display.
7. When the set time has elapsed, a signal will sound and the oven will turn off. To stop the signal, press any button on the clock and then turn the oven **Function** selector to “Off”.

*NOTE: Do not forget to add pre-heating time if necessary. Cooking duration cannot be set for the Rapid Heat function. The cooking duration can be cancelled at any time by turning the “Function” selector to “Off”.*

### Setting the cooking end time

1. Select the desired oven function and cooking temperature.
2. Press **Clock** button until the **End Time** symbol  appears flashing.
3. Set the desired time of day “Hours” to finish cooking by pressing — or + buttons while the **End Time** symbol  is flashing.
4. Press the **Clock** button and the time of day “Minutes” to finish cooking will flash and can be set in the same manner.

5. After 5 seconds from last change, the **End Time** symbol  will stop flashing confirming the cooking end time is set.
6. The “Cooking end time” will be shown on the display.
7. When the set time has elapsed, a signal will sound and the oven will turn off. To stop the signal, press any button on the clock and then turn the oven **Function** selector to “Off”.



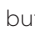



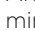

*NOTE: Cooking end time cannot be set for the Rapid Heat function. The cooking duration can be cancelled at any time by turning the “Function” selector to “Off”.*

### Setting the delayed start cooking time

1. Program the **Cook Time** and **End Time** as described in the relevant sections. Once both the **Cook Time** and **End Time** have been set, the **Cook Time** and **End Time** indicators will stop flashing and the “Set temperature” will be displayed.

*NOTE: Do not forget to add pre-heating time if necessary. Delayed start cooking time cannot be set for the Rapid Heat function. The delayed start cooking time can be cancelled at any time by turning the “Function” selector to “Off”.*

### Setting the minute minder

1. Press the  button and the “Minute minder” symbol  begins to flash.
2. Set the countdown time “Seconds” by using — and + buttons while the minute minder symbol  is flashing.
3. Press the  button and the countdown time “Minutes” will flash and can be set in the same manner.
4. Press the  button and set the countdown time “Hours” will flash and can be set in the same manner.
5. After 5 seconds from the last change, the “Minute minder” symbol  will stop flashing confirming it has been set.
6. Once the set time has elapsed, a signal will sound for 1 minute. The time indication “0.00” and a flashing “Minute minder” symbol  will appear on the display.
7. To stop the signal, press any button on the clock.
8. To cancel the minute minder, press the  button and the display will flash. Then press and hold — and + buttons together until the minute minder is cleared.

*NOTE: This feature has no effect on the oven operation. With the oven “Off” and minute minder operating, the time of day cannot be displayed.*

### Elapsed time

When an oven function is selected (other than pyrolytic clean), after 5 seconds the “Elapsed time” is displayed.

1. To reset the “Elapsed time”, press and hold both the — and + buttons until the timer is reset.


## USING YOUR OVEN (CONTINUED)

Displaying the oven centre and set temperature (other than pyrolytic clean function)

1. Press the **Temp.** button when the oven is operating and the “Oven centre temperature” is displayed.
2. Press the **Temp.** button again within 5 seconds and the “Oven set temperature” is displayed.
3. Alternatively, the **Temperature** selector can be toggled left (←) or right (→) for 1 second and the “Oven set temperature” is displayed.

*NOTE: This temperature is displayed for 5 seconds.*

### Light operation (WVEP615 & WVEP627 only)

1. At any time, the oven lamp can be switched on or off by pressing and holding the  button for 5 seconds.

### Activating the child-proof lock

When the child lock is engaged, the oven cannot be operated and the door cannot be opened.

1. Switch the **Function** selector to “Off”.
2. Press and hold the **Clock** and **+** buttons at the same time until the word ‘SAFE’ is displayed and a double beep sounds. The word safe will be replaced by a padlock symbol on the display after 5 seconds.

### De-activating the child-proof lock

1. Press and hold the **Clock** and **+** buttons at the same time until a double beep sounds. This will commence to unlock the door and after 5 seconds the oven is ready for use.

### Switching the clock display ON and OFF

When the oven is off, the clock display can be switched on and off.

1. Press together **—** and **+** symbols for 2 seconds to switch off the display.
2. Press together **—** and **+** symbols for 2 seconds to switch the clock display on again.

When the oven is off and the display is set to the ‘off’ state, pressing the **—** or **+** buttons will display the time of day for 5 seconds then turn off the display.

*NOTE: If a timer mode is set or the oven is operating, then it is not possible to switch the display off.*

### Safety cut-out feature

The oven will automatically switch “Off” if the temperature is not adjusted or the appliance is left operating for a period of time. The oven switches itself off after:

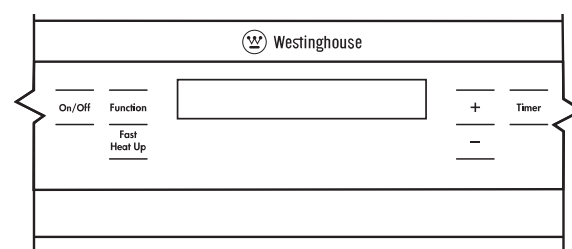
1. 12.5 hours when the temperature is set between 30°C and 120°C.
2. 8.5 hours when the temperature is set between 120°C and 200°C.
3. 5.5 hours when the temperature is set between 200°C and 250°C.
4. 3.0 hours when the temperature is set at 250°C.

### DEMO mode

The oven can be set to operate in a demo (e.g. in a retail store) mode. In this mode the oven does not actually heat if the oven has been inadvertently supplied in this mode. The following instructions demonstrate how to exit this mode.

1. Ensure the oven is “Off”. Press and hold the **+** button until a beep sounds. The ‘Demo’ text on the display will flash.
2. While holding the **+** button, turn the **Function** selector to the first oven function until another beep is heard.
3. Then turn the **Function** selector to the ‘Off’ position.
4. Release the **+** button.
5. Toggle and hold the **Temperature** selector to the right (→) until 3 beeps sound. The ‘Demo’ text will no longer be displayed and the oven will function normally. If the ‘Demo’ text is still displayed repeat the above procedure.


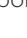

### Operating the Programmable Controller (WVE607, WVE617 & WVEP618)



### General features






The oven is equipped with a programmable controller that can be used to turn the oven on and off automatically. The **Cook Time** function automatically turns the oven off after a set amount of time. The ‘End time’ function is used to set the time of day you want the cooking cycle to finish. A “Delayed start” is possible by combining the **Cook Time** and **End Time** features to switch the oven on and off at a specific time during the day.

Setting the time of day (after electrical connection):

1. After the appliance has been electrically connected, the “Set clock” symbol  will flash on the display.
2. To set the time of day, press **—** or **+** symbols while the “Set clock” symbol  is flashing.
3. After 5 seconds from the last change, the “Timer arrow” symbol  will disappear confirming the time has been set.

*NOTE: The clock has a 24-hour display.*

### Changing the time of day

1. Switch the appliance "Off" by pressing "On / Off".
2. Press **Timer** button repeatedly until the "Set clock" symbol  appears flashing with the "Timer arrow" symbol  on the display.
3. To set the time of day, press **-** or **+** symbols while the "Set clock" symbol  is flashing.
4. After 5 seconds from the last change, the "Set clock" symbol  and "Timer arrow" symbol  will disappear, confirming the time has been set.

### Setting the oven function

1. Switch the appliance "On" by pressing "On / Off". The oven light will turn on.
2. Press **Function** button repeatedly until the desired oven function appears. The suggested cooking temperature for that function will appear in the display which can be changed as described below. After 5 seconds from the last change, the oven will begin to heat.





*NOTE: If the oven temperature is less than the set temperature, the oven temperature and a rising thermometer icon is displayed. When the oven temperature reaches the set temperature, 4 beeps sound and the set temperature and full thermometer icon are displayed. If the set temperature is less than the oven temperature, the set temperature and a full thermometer icon is displayed.*

### Changing the oven temperature

1. Press **-** or **+** symbols to decrease or increase the temperature setting. The temperature setting changes in increments of 5°C.





*NOTE: The temperature can be adjusted at any time. Oven temperature cannot be changed for the Defrost function. For model WVEP 618, oven temperature cannot be changed for the Pyro function.*

### Setting the cooking duration


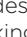



1. Select the desired oven function and cooking temperature.
2. Press **Timer** button repeatedly until the **Cook Time** symbol  appears flashing with the "Timer arrow" symbol  on the display.
3. Set the desired cooking duration by pressing **-** or **+** symbols while the "Timer arrow" symbol  is flashing.
4. After 5 seconds from the last change, the "Timer arrow" symbol  will disappear confirming the cooking duration is set.
5. A countdown of the "Cooking time remaining" will be shown on the display.
6. When the set time has elapsed, signal will sound and the oven will turn off. To stop the signal, press any button on the clock and then turn the oven **Function** selector to "Off"

*NOTE: Do not forget to add pre-heating time if necessary.*

### Setting the cooking end time







1. Select the desired oven function and cooking temperature.
2. Press **Timer** button repeatedly until the **End Time** symbol  appears flashing with the "Timer arrow" symbol  on the display.
3. Set the desired time of day to finish cooking by pressing **-** or **+** symbols while the "Timer arrow" symbol  remains flashing.
4. After 5 seconds from the last change, the "Timer arrow" symbol  will disappear confirming the cooking end time is set.
5. A countdown of the "Cooking time remaining" will be shown on the display.
6. When the set time has elapsed, signal will sound and the oven will turn off. To stop the signal, press any button on the clock and then turn the oven **Function** selector to "Off"

### Setting the delayed start cooking time

1. Program the "Cooking duration"  and "Cooking end time"  as described in the relevant sections. Once both "Cooking duration"  and "Cooking end time"  has been set, the cooking end time symbol  will stop flashing. Cooking duration and oven set temperature will be displayed.

*NOTE: Do not forget to add pre-heating time if necessary.*

### To check or cancel settings

1. To check your settings, press **Timer** until the setting you want to check is displayed.
2. To cancel "cooking end time" press **Timer** until **End Time** symbol  appears flashing with the "Timer arrow" symbol . Press and hold **-** symbol until the clock no longer reverses you will hear a beep. If the oven **Function** is set, the oven will start once the "Timer arrow" symbol  stops flashing.
3. To cancel "cooking duration" press **Timer** until **Cook Time** symbol  appears flashing with the "Timer arrow" symbol . Press and hold **-** symbol until the clock no longer reverses you will hear a beep. This automatically cancels "delayed start" and if the oven "Function" is set, the oven will start once the "Timer arrow" symbol  stops flashing. Because you have cancelled "auto shut off" the oven will continue to heat until you manually turn it off.

### On completion of cooking





When the set time has elapsed, the oven will turn off and a beeper will sound. The remaining time indication "0:00" will appear on the display.

1. Press **-** or **+** symbols to stop the clock from beeping.

## USING YOUR OVEN (CONTINUED)

### Setting the minute minder

The minute minder can be used with the oven on or off.

1. Press **Timer** button repeatedly until the “Minute minder” symbol  appears flashing with the “Timer arrow” symbol .
2. Set the countdown time by pressing **-** and **+** symbols.
3. After 5 seconds from the last change, the “Timer arrow” symbol  will stop flashing confirming it has been set.
4. Once the set time has elapsed, a beeper will sound for 1 minute. The time indication “0.00” and a flashing “Minute minder” symbol  will appear on the display.
5. Press **-** or **+** symbols to stop the clock from beeping.

*NOTE: This feature has no effect on the oven operation.*

### Using FHU (Fast Heat Up) mode

To quickly and efficiently pre-heat your oven, it is recommended to select the “Fast Heat Up” cooking feature.

1. Ensure the appliance is on by pressing “On/Off”.
2. Press **Function** button repeatedly until the desired oven function appears.
3. Press **-** or **+** symbols to decrease or increase the temperature setting.
4. Press “Fast Heat Up” and the letters “FHU” will appear and alternate with “Oven temperature” on the display.
5. When the oven temperature reaches the set temperature, 4 beeps sound and the set temperature and full thermometer icon are displayed.

*NOTE: “Fast Heat Up” cannot be selected if the oven temperature is above the set temperature.*

### Demo Mode

The oven can be set to operate in a demo (eg. in a retail store) mode. In this mode, the oven does not actually heat if the oven has been inadvertently supplied in this mode. The following instructions demonstrate how to exit this mode.

1. Ensure the oven is “Off”
2. Press and hold “On/Off” until the display returns to standby (unit will beep repeatedly whilst “On/Off” is pressed)
3. Press and hold simultaneously the “Timer” and “-” keys until three quick beeps are heard (approximately 2 seconds). The unit is now in Demo Mode and the clock symbol will be displayed.
4. To deactivate Demo Mode, repeat the same procedure above.

### Activating the child-proof lock

When the child lock is activated, the oven cannot be switched on.

1. Switch off the appliance using “On/Off”.
2. Press and hold **Function** and **-** symbol at the same time until the word “SAFE” appears on the display. The child-proof lock is now engaged.

*NOTE: When the child-proof lock function is activated, only the time of day and minute minder can be set. For model WVEP618, the oven door is also locked when the child lock is activated.*

### De-activating the child-proof lock

1. Press and hold **Function** and **-** symbol at the same time until the word “SAFE” is cleared from the display. The child-proof lock is now disengaged and the oven is ready to use.

### Beep on touch

The “beep on touch” mode can be activated to sound anytime a button is pressed.

1. Switch the appliance “Off” by pressing “On / Off”.
2. Press and hold **Function** and **+** symbol at the same time. A single beep confirms mode is activated.
3. Repeat the procedure to de-activate.

*NOTE: “On / Off” will continue to “beep on touch” when mode is de-activated.*

### Safety cut-out feature

The oven will automatically switch “Off” if the temperature is not adjusted or the appliance is left operating for a period of time. The oven switches itself off after:

1. 20 hours when the temperature is set between 30°C and 120°C.
2. 8.5 hours when the temperature is set between 120°C and 200°C.
3. 5.5 hours when the temperature is set between 200°C and 250°C.

### Oven shelves

#### IMPORTANT

- Select the correct shelf location for food being cooked.
- Make sure dishes will fit into the oven before you switch it on.
- Keep edges of baking dishes at least 40mm from the side of the oven. This allows free circulation of heat and ensures even cooking.
- Do not open the oven door more than necessary.
- Do not place foods with a lot of liquid into the oven with other foods. This will cause food to steam and not brown.
- After the oven is turned off it retains the heat for some time. Use this heat to finish custards or to dry bread.

- Do not use a lot of cooking oil when roasting. This will prevent the splattering of oil on the sides of the oven and the oven door. Polyunsaturated fats can leave residue which is very difficult to remove.
- When cooking things which require a high heat from below (e.g. tarts), place the cooking dish on a scone tray in the desired shelf position.
- For sponges and cakes use aluminium, bright finished or non-stick utensils.
- Always remove unnecessary trays or dishes when roasting or baking.

Use the oven efficiently, by cooking many trays of food at the same time. For example:

- Cook 2 trays of scones, small cakes or sausage rolls.
- Cook a roast dinner at the same time as you cook chips or vegetables.

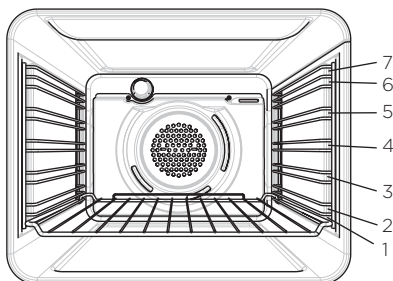
It is not recommended to use more than 2 shelves at a time. When cooking with 2 shelves use an oven fan function.

#### Oven shelf location (excluding WVEP615)

Your oven has seven positions for shelves. These are numbered from 1 (the lowest shelf position) to 7 (the highest shelf position). See diagram.

To give maximum space above and below the shelves, load them in this way:

- When cooking with 1 shelf, use position 3 or 4.
- When cooking with 2 shelves, use positions 3 and 5.



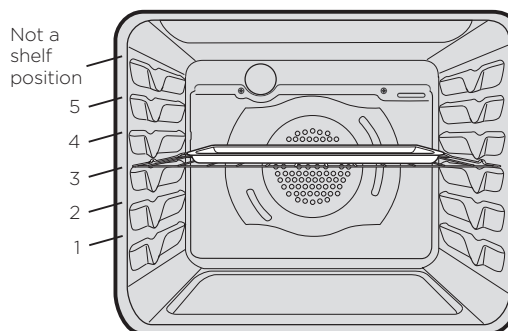
7 Position Rack

#### Oven shelf location (WVEP615)

Your oven comes with formed "easy clean" runners that allow five positions for shelves. These are numbered from 1 (the lowest shelf position) to 5 (the highest shelf position). See diagram.

To give maximum space above and below the shelves, load them in this way:

- When cooking with 1 shelf, use position 3.
- When cooking with 2 shelves, use positions 2 and 4.



#### Roasting meat

- Place the meat in the oven and set the temperature between 180°C and 200°C. (It is recommended to wrap your meats in an oven roasting bag or foil to prevent fats and oils from splattering, making it easier to clean your oven.)
- Use the grill/oven dish and grill insert. Place the meat on the insert.
- Do not pierce the meat, as this will allow juices to escape.
- When the meat is cooked, take the roast out of the oven, wrap in aluminium foil and leave to stand for about 10 minutes. This will help retain the juices when the meat is carved.

The table shows temperatures and cooking times for different kinds of meat. These may vary depending on the thickness or bone content of the meat.

MEAT	RECOMMENDED TEMPERATURE °C	RESULT	MINUTES PER KG
Beef	200	Rare	35 - 40
		Medium	45 - 50
		Well done	55 - 60
Lamb	200	Medium	40
		Well done	60
Veal	180	Well done	60
Pork	200	Well done	60

#### Roasting poultry and fish

- Place the poultry or fish in an oven set at a moderate temperature of 180°C.
- Place a layer of foil over the fish for about three quarters of the cooking time.

The table shows temperatures and cooking times for different kinds of fish and poultry. These may vary depending on the thickness or bone content of the meat.

MEAT	RECOMMENDED TEMPERATURE °C	MINUTES PER KG
Chicken	180	45 - 50
Duck	180 - 200	60 - 70
Turkey	180	40 - 45 (<10kg)
		35 - 40 (>10kg)
Fish	180	20

## COOKING GUIDE

### Choosing the best oven settings

The following table is intended as a guide and experience may show some variation in cooking times necessary to meet individual requirements. It may be necessary to change some cooking times and temperatures from your previous oven. For best results when baking preheat your oven for 30 minutes.

### Conventional cooking

FOOD		TEMPERATURE °C	OVEN SHELF POSITION*	TIME IN MINUTES
Scones	Plain or fruit	220	2	10 - 15
Biscuits	Rolled	170	2	10 - 15
	Spooned	190	2	12 - 15
	Shortbread biscuits	160	2	30 - 35
Meringues	Hard - individual	110	2	90
	Soft - individual	180	2	15 - 20
	Pavlova - 6 egg	110	1	75
Cakes	Patty cakes	190	3	15 - 20
	Sponge - 4 egg	180	2	20 - 30
	Shallow butter cake	180	2	30 - 40
	Rich fruit cake	140	2	180
Pastry - shortcrust	Cornish pasties	200	2	40 - 45
	Custard tart	200/180	1	10/20 - 30
Pastry - choux	Cream puffs	210	2	25 - 30
Yeast goods	Bread	210	1	25 - 30

### Fan forced cooking

FOOD		TEMPERATURE °C	OVEN SHELF POSITION*	TIME IN MINUTES
Scones	Plain or fruit	210	Any	10 - 15
Biscuits	Rolled	150	Any	10 - 15
	Spooned	180	Any	12 - 15
	Shortbread biscuits	150	Any	30 - 35
Meringues	Hard - individual	100	Any	90
	Soft - individual	165	Any	15 - 20
	Pavlova - 6 egg	100	Any	75
Cakes	Patty cakes	180	Any	15 - 20
	Sponge - 4 egg	170	Any	20 - 30
	Shallow butter cake	170	Any	30 - 40
	Rich fruit cake	130	Any	180
Pastry - shortcrust	Cornish pasties	180	Any	40 - 45
	Custard tart	190/170	Any	20 - 30
Pastry - choux	Cream puffs	200	Any	25 - 30
Yeast goods	Bread	200	Any	25 - 30

\* Counting from the bottom shelf up.

## GRILLING GUIDE

### Grilling hints



#### WARNING

Always clean the grill/oven dish after every use. Excessive fat build up may cause a fire.

As a method of cooking, grilling can be used to:

- Enhance the flavours of vegetables, fish, poultry and meat.
- Seal the surface of the food and retain the natural juices.

*NOTE: Below is a table indicating the door position whilst grilling for each of the product types.*

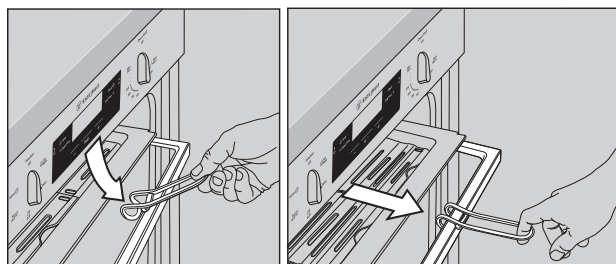
DESCRIPTION	DOOR POSITION DURING GRILLING
Grill in oven	Door FULLY closed
Separate grill	Door FULLY open

This table shows how to grill different types of meat:

MEAT	METHOD
Beef	You can use tenderloin, rump, sirloin. Brush with oil or melted butter, especially if the meat is very lean.
Lamb	You can use loin chops, shortloin chops, chump chops, and forequarter chops. Remove skin or cut at intervals to stop curling. Brush with oil or melted butter.
Sausages	Prick sausages to stop skin from bursting.
Poultry	Divide into serving pieces. Brush with oil.
Fish	Brush with oil or melted butter and lemon juice.
Bacon	Remove rind. Grill flat.

### Grilling with separate grill underbench

Your separate grill underbench appliance comes with a handle accessory to pull out and push in the grill tray frame.



#### WARNING

Operating the oven may result in a hot grill tray frame even without the grill being used. As it may be a hot surface, it is not recommended to touch the grill tray frame directly.

### Guide to better grilling



#### IMPORTANT

Definite times can not be given for grilling as it is dependant on the size of the food and your own tastes.

These times should only be used as a rough guide and remember to turn the food over halfway through the cooking process (except with fan grill).

For better grilling results, follow these easy instructions:

1. Remove oven/grill dish and grill insert and preheat grill for about 3 minutes.
2. Choose only prime cuts of meat or fish. If the cut is less than 5mm thick it will dry out. If the cut is more than 40mm thick, the outside may burn whilst the inside remains raw.
3. Do not place aluminium foil under the food as this prevents fats and oils from draining away, which could result in a fire.
4. Baste the food during cooking with butter, olive oil or marinade.
5. Use tongs to turn food as a fork pierces the surface allowing juices to escape.

MEAT	TIME
Steak	15 - 20 minutes
Chops	20 - 30 minutes
Fish	8 - 10 minutes
Bacon	4 - 5 minutes

### Fan grill (multifunction grill in oven models only)

If your appliance has fan grill as a function, this will assist the grilling process by circulating the heat evenly around the food. The recommended temperature setting is 180°C for all fan grilling functions.

1. Place the oven/grill dish on the bottom rack.
2. Place meat/poultry on an oven shelf above the oven/grill dish.
3. Wipe off any oil or fat which spatters while the oven is still warm.

There is no need to turn the meat as both sides are cooked at the same time.

# STEAM COOKING GUIDE

(WVE617 model only)

## **i** IMPORTANT

Cooking with steam is a great addition to straight 'hot air' cooking. Steam brings out all the natural flavours and goodness in the food, cooks evenly from surface to centre and retains more nutrients and vitamins. Steam assisted cooking consistently produces juicy, succulent interiors with crisp, golden exteriors.

A hot steam function is selected as per a standard function, but with the addition of the steam symbol being illuminated in the display. Selection of temperature is also the same as for a normal function but the lower temperature limit will be higher for a steam function.

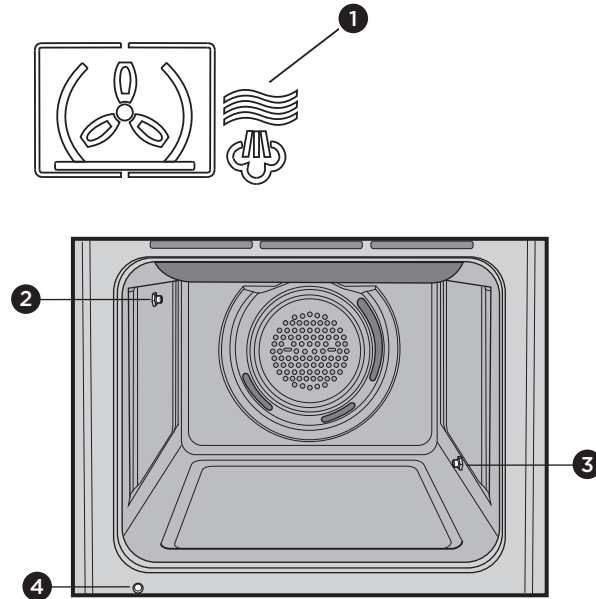
This oven has 3 dedicated steam functions that have been individually tuned to produce the best result with a combination of steam and heat application.

**Steam cooking** - perfect for all kinds meat, poultry and fish dishes. The hot air ensures the outside is sealed whilst the steam keeps the inside tender.

**Steam reheat** - great for reheating dishes like rice, pasta and pizza that can suffer from dryness in normal ovens or sogginess in microwave ovens.

**Pizza + Steam** - This function creates a great pizza in terms of crispy crust and uniform browning on top.

## Steam product description



### 1 Water tank level Indicator

**Hand with water drop symbol flashing and beeping** - indicates the water tank is empty and the user needs to refill the tank with water. The alarm sounds until the user refills the tank or selects a non-steam function.

**Hand with water drop symbol always on** - indicates water is present in tank.

**Hand with water drop symbol flashing and beeping** - indicates the water tank is full when refilling. The alarm sounds for 100 seconds or until any button is pressed to cancel the alarm. The "full" symbol is then continuously displayed while the water tank remains full.

*NOTE: The key used for canceling the alarm may activate that function.*

### 2 Steam outlet

This is where steam is injected into the oven.

### 3 Water overflow pipe


If the water tank is over filled, water will be dispensed into the oven from here. This is not a fault with the appliance as it prevents water spilling out of the water drawer which could create a hazard. If this occurs, mop up the overflow with a clean cloth and continue with the cooking function.

### 4 Water outlet valve.

To be used with the draining pipe (supplied). When cooking is finished, any water left in the tank is to be drained after the appliance has cooled down.

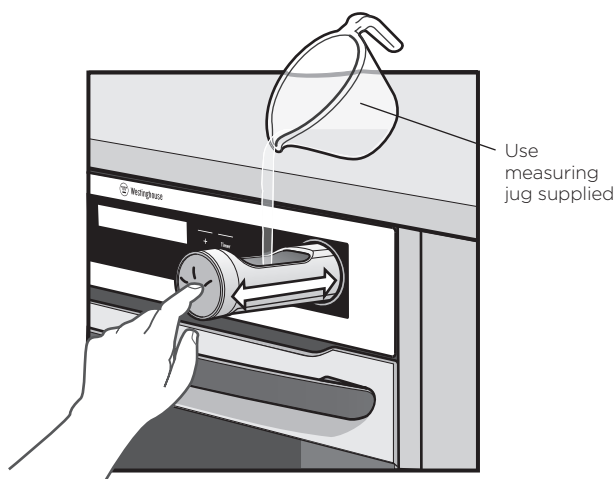


### Steam operating sequence

1. Open the water drawer in the control panel by pressing it.
2. Pour approximately 850mL of water into the drawer. Stop filling if alarm sounds and  is displayed.
3. Close the water drawer.

### WARNING

Take care when filling the water drawer. Spillage could create a slipping hazard. Immediately clean up any spills on the product, cabinet or floor. If the “overfull” alarm sounds immediately stop pouring water into the water drawer. If the tank is overfilled the excess will flow into the oven. This prevents leakage onto cabinets and is not a fault. Sponge up overflows if they occur.



### CAUTION

Do not use any liquid other than normal tap water. Do not use demineralised or distilled water. Doing so could affect the normal operation of the steam generator. Do not put solid matter into the water drawer.

4. Turn on the oven and select the steam cooking function and temperature. Set timer functions if desired.
5. Once the oven has reached the set temperature, place the food in the oven. A full water tank will last approximately 30 minutes. It may have to be refilled during a long cooking cycle, for example a roast.

### WARNING

The steam will not be visible inside the oven when cooking with steam. Opening the oven door to place, remove or inspect the food will release it. Stand back when opening the door to avoid the risk of burns.

6. Once cooking is complete, remove the food and turn off the oven. Leave the oven door ajar to aid drying out the oven.
7. Drain the water tank once the appliance is cool. (See “Emptying water tank”)

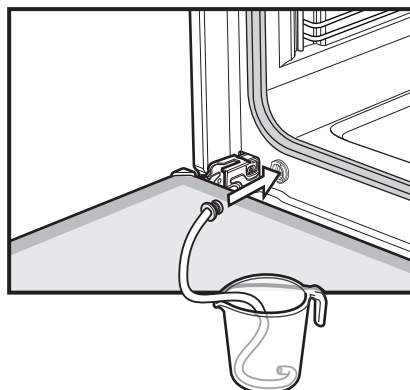
### Emptying the water tank

### WARNING

Water in the tank can still be hot. Wait until the appliance is cool before the water tank is drained. Do not use the drained water to fill the water tank again.

The water tank must be emptied after every steam assisted cooking cycle.

1. Open the oven door to reveal the water outlet valve.
2. Insert the valve end of the supplied drain pipe into the water outlet valve. Ensure the other end is in a container that can take up to 1 litre.
3. Remove the drain pipe only when the water stops flowing.
4. Soak up any leakages with a sponge or cloth.



## DEALING WITH COOKING PROBLEMS

PROBLEM	CAUSES	REMEDY
Uneven cooking	<ul style="list-style-type: none"> <li>• Incorrect shelf position</li> <li>• Oven tray too large</li> <li>• Trays not centralised</li> <li>• Air flow in oven uneven</li> <li>• Grill dish affecting thermostat</li> </ul>	<ul style="list-style-type: none"> <li>• Select shelf suitable for cooking function. See cooking function tables in cooking guide</li> <li>• Experiment with other trays or dishes</li> <li>• Centre trays</li> <li>• Rotate food during cooking</li> <li>• Remove grill dish from oven on bake modes</li> </ul>
Baked products too brown on top	<ul style="list-style-type: none"> <li>• Oven not preheated</li> <li>• Baking tins too large for the recipe</li> <li>• Baking tins not evenly spaced</li> <li>• Products not evenly sized or spaced on trays</li> <li>• Baking temperature too high</li> </ul>	<ul style="list-style-type: none"> <li>• Preheat oven</li> <li>• Use correct size tins</li> <li>• Stagger baking tins at least 3cm between tins and oven walls</li> <li>• Make into same size and shape, and spread evenly over trays</li> <li>• Lower the temperature</li> </ul>
Baked products too brown on bottom	<ul style="list-style-type: none"> <li>• Baking tins too large for the recipe</li> <li>• Baking tins are a dark metal or glass</li> <li>• Food too low in the oven</li> <li>• Oven door opened too frequently during baking</li> <li>• Baking temperature too high</li> <li>• Grill dish affecting thermostat</li> </ul>	<ul style="list-style-type: none"> <li>• Use correct size tins</li> <li>• Change to shiny, light tins or lower the temp by 10°C</li> <li>• Cook one shelf higher</li> <li>• Don't open the door until at least half the cooking time has passed</li> <li>• Lower the temperature</li> <li>• Remove grill dish from oven on bake modes</li> </ul>
Cakes have a cracked thin crust	<ul style="list-style-type: none"> <li>• Baking temperature too high</li> <li>• Food too high in oven</li> <li>• Cake batter over mixed</li> <li>• Pan too deep</li> <li>• Baking pans dark</li> </ul>	<ul style="list-style-type: none"> <li>• Lower the temperature</li> <li>• Cook one shelf lower</li> <li>• Mix just long enough to combine ingredients</li> <li>• Check size of pan</li> <li>• Change to shiny pans</li> </ul>
Baked products are pale, flat and undercooked	<ul style="list-style-type: none"> <li>• Baking temperature too low</li> <li>• Food too low in oven</li> <li>• Baking time too short</li> <li>• Incorrect size tin</li> </ul>	<ul style="list-style-type: none"> <li>• Raise the temperature</li> <li>• Cook one shelf higher</li> <li>• Increase the cooking time</li> <li>• Use the correct size tin</li> </ul>
Cakes fallen in the centre	<ul style="list-style-type: none"> <li>• Baking temperature too low</li> <li>• Baking time too short</li> <li>• Proportions of ingredients incorrect</li> <li>• Door opened too early in baking</li> </ul>	<ul style="list-style-type: none"> <li>• Raise the temperature</li> <li>• Increase the cooking time</li> <li>• Check recipe</li> <li>• Do not open door until the last quarter of cooking time</li> </ul>
Roast meat, potatoes not browning in fan oven	<ul style="list-style-type: none"> <li>• Poor air circulation</li> <li>• Grill dish affecting thermostat</li> <li>• Juices running out of meat</li> </ul>	<ul style="list-style-type: none"> <li>• Elevate food onto a rack to allow air circulation</li> <li>• Remove grill dish from oven on bake modes</li> <li>• Do not pierce meat with a fork</li> </ul>
Grilled meats outside is overcooked and centre is raw		<ul style="list-style-type: none"> <li>• Grill at lower insert position</li> </ul>
Grilled chops and steaks curling		<ul style="list-style-type: none"> <li>• Cut into fat every 2cm</li> </ul>
The steam cooking does not operate	<ul style="list-style-type: none"> <li>• There is no water in the tank</li> <li>• Limescale is obstructing the hole</li> </ul>	<ul style="list-style-type: none"> <li>• Fill the water tank</li> <li>• Check the steam outlet opening and remove the lime</li> </ul>
It takes more than three minutes to empty the water tank or the water tank leaks from the steam outlet	<ul style="list-style-type: none"> <li>• There are lime deposits in the appliance</li> </ul>	<ul style="list-style-type: none"> <li>• Check the water tank and refer to the chapter on Cleaning the water tank</li> </ul>
Steam and condensation settle on the food and in the appliance	<ul style="list-style-type: none"> <li>• The dish has been left in the oven for too long</li> </ul>	<ul style="list-style-type: none"> <li>• Do not keep the dishes in the appliance for longer than 15-20 minutes after the cooking ends</li> </ul>

## GETTING TO KNOW THE OVEN

### Get to know the oven with this 'Simple Test Cake'

Although we strive for a perfect performing oven, it's possible that there will be some variation in colour when baking. Therefore, we suggest this simple, easy and delicious to make Simple Test Cake, it can help you understand your new oven. All ovens do sometimes have hot or cold spots, therefore it is important to judge with your eye as you may require to rotate during baking.

#### 'Simple Test Cake'

125g butter, softened to room temperature

1 cup caster sugar

1 teaspoon pure vanilla essence

4 large eggs

2 cups self-raising flour

pinch of salt

4 tablespoons (80mL) full-cream milk

#### Method:

Butter base and sides of 2, 20cm straight-sided round or square cake pans. Then line the base with grease proof or baking paper.

Preheat oven to moderate '180°C' (170°C fan forced) and ensure oven shelf is in the centre position of oven.

Cream softened butter and sugar until light in colour.

Add vanilla essence.

Then add eggs one at a time, beating well after each addition.

Sift flour and salt into the mixture and beat until well combined.

Add milk and beat or stir to combine.

Spoon mixture equally between prepared cake pans.

Bake in preheated oven, middle shelf for about 25 to 35 minutes or until when tested with a fine cake skewer it comes out clean or the edges of the cakes have come away slightly from the sides of the cake pans.

Remove from oven to wire cake rack and rest for 5 minutes before removing from cake pans.  
Cool completely.

To Serve: sandwich together with your favourite jam or conserve, and dust top with pure icing sugar.

*NOTE: If desired substitute butter for either margarine or olive oil spread. Recipe is based on the Australian standard metric 250mL cup and 20mL tablespoon sets.*

## CARE AND CLEANING



### WARNING

Ensure the oven is electrically isolated before cleaning. This can be done by switching off the appliance via the powerpoint or isolating switch (if available), or the switchboard.

Do not use steam cleaners, as this may cause moisture build up.



### CAUTION

Do not use sharp metal implements or utensils on any surface, as these may leave permanent scratches or marks.

#### Enamel

Rub persistent stains vigorously with a nylon scourer or creamed powder cleansers.

*NOTE: You can also use household oven enamel cleaners - follow the manufacturer's instructions carefully.*



### CAUTION

Do not use harsh abrasive cleaners, powder cleaners, steel wool or wax polishes on enamel.

Do not line the bottom of the oven or grill with foil or cookware.

#### Stainless steel

All grades of stainless steel can stain, discolour or become greasy. You must clean these areas regularly by following the procedures below, if you want your appliance to look its best, perform well and have a long life.



### WARNING

Care must be taken when wiping exposed stainless steel edges....they can be sharp!



### CAUTION

The oven door and control panel are decorated with a special stainless steel that resists finger marks and should only be cleaned with warm water and a mild detergent. DO NOT use stainless steel cleaners, abrasive cleaners or harsh solvents.

*NOTE: Make sure you follow the polish or brushing lines in the steel.*

#### Glass

Glass surfaces on doors and control panels are best cleaned immediately after soiling. A damp cloth may help remove baked on food deposits. Oven cleaners can be used to remove stubborn marks and stains.



### WARNING

The door glass on this appliance is made from a tough, durable material that withstands heating and cooling without breaking. As a precaution however, do not put cold water on hot glass. Should you have any questions about the glass in your new appliance, please contact the customer care centre by dialling 1300 363 640.

Door glass that is damaged should be immediately replaced.



### CAUTION

Do not use harsh abrasive cleaners or sharp metal scrapers to clean the oven door glass since they can scratch the surface, which may result in shattering of the glass.

#### Oven



### WARNING

Always keep your appliance clean. Ensure that fats and oils do not accumulate around elements, burners or fans. Keep the oven dish, baking trays, grill dish and grill dish insert clean, as any fat deposits may catch fire. Wrap your meats in foil or an oven roasting bag to minimise cleaning. Any polyunsaturated fats can leave a varnish-like residue which is very difficult to remove. The upper element can be released to assist in cleaning.

#### Grill



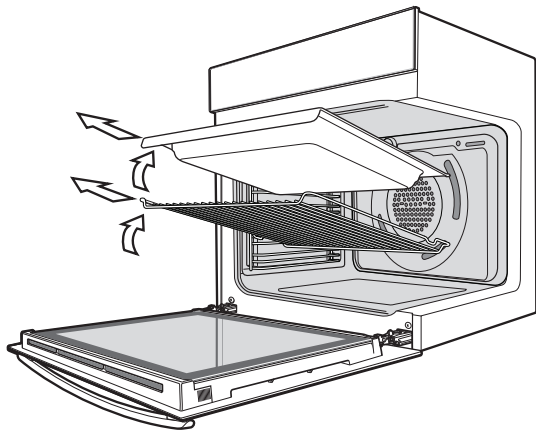
### WARNING

Always keep the grill dish and grill dish insert clean, as any fat deposits may catch fire. Ensure that fats and oils do not accumulate around the grill element. The grill element can be released to assist in cleaning the top of the grill cavity.

#### Cleaning your oven accessories

Removing the trays and shelves from your appliance

- Slide the dish and shelves towards you until they reach the front stop.
- Tilt them up at the front to clear the side supports, taking care not to spill the contents.
- For separate grill underbench model (WVG655), open the grill door and pull out the grill slide to its full extent. Carefully lift the dish from the support.
- Lift the dish and shelves clear.
- Wash the dish, insert and shelves in hot soapy water.
- Reverse the above steps to put the grill tray and shelves back again.
- Ensure that they are placed between the 2 support wires (excluding model WVEP618).

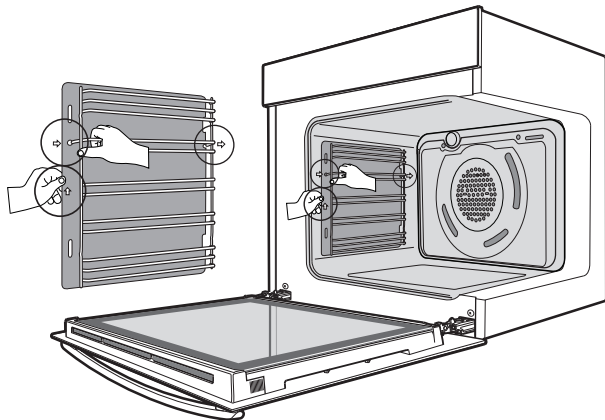


**CAUTION**

Do not remove the slide mechanism on the separate grill underbench model (WVG655). The grill dish can easily be removed for cleaning.

**Removing the side racks (excluding model WVEP618)**

- Grasp the middle wire at the front.
- Pull firmly inwards while pushing back.



**Removing catalytic liners (where fitted)**

**IMPORTANT**

Catalytic self-clean panels are coated with a specially formulated enamel coating over a base of regular enamel. This enamel coating has a rough and porous surface. During normal cooking, fats and other food splatter is partially absorbed into the surface and oxidised away. This oxidation of the fat works best at high temperatures. You will find that if you do a lot of lower temperature baking, around 180°C, then the self-cleaning process may not be complete. If lightly soiled, you can set the oven to 250°C for around one hour to completely remove the soil.

Should the panels become heavily soiled, they will need to be taken out of the oven and cleaned by hand. They can be cleaned by first soaking in warm soapy water for at least 2 hours and then wiping clean with a soft cloth.

*NOTE: Solid cleaning powders, creamy cleansers, caustic oven cleaners, steel wool or other scourers will ruin the catalytic surface and must NEVER BE USED.*

- Remove side racks as usual, however, be sure to hold onto the side of the catalytic liner so that it does not drop when the pegs of the side racks are removed.

**Removing and replacing the oven back light and side light (where fitted)**

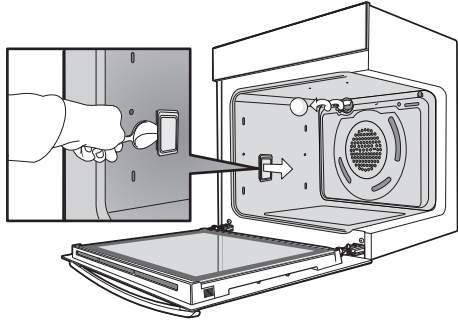
- Turn oven light glass anticlockwise to remove it for globe replacement.
- To remove side light, place a spoon under the light glass and lever off. Replace globe and snap glass cover back into position.
- A special high temperature resistant globe should be used. This can be purchased from Electrolux Customer Care Centre.

*NOTE: Light globes are not covered by warranty*

**WARNING**

Make sure the appliance is turned off before you remove or replace parts, to avoid the possibility of electric shock.

## CARE AND CLEANING (CONTINUED)



### Releasing the grill element

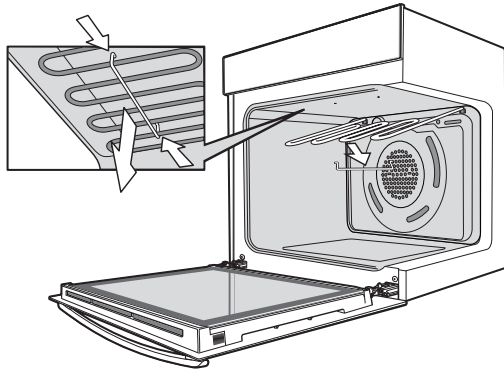


#### WARNING

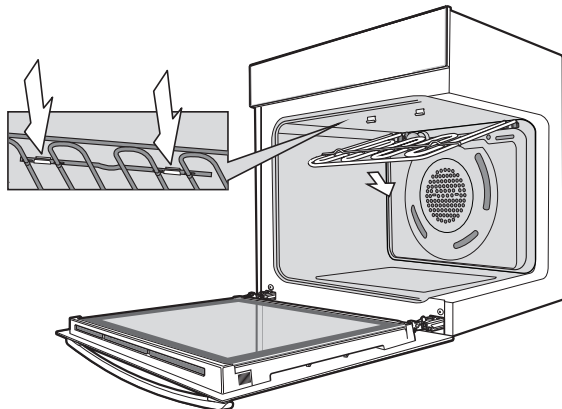
Make sure the appliance is turned off before you remove or replace parts, to avoid the possibility of electric shock.

Retaining wire models - The upper grill element is secured with a hanger clip which can be removed to help clean the oven cavity ceiling. To remove the hanging clip push the sides of the clip in the direction of the arrows. After cleaning, raise the grill element and secure clip back into position.

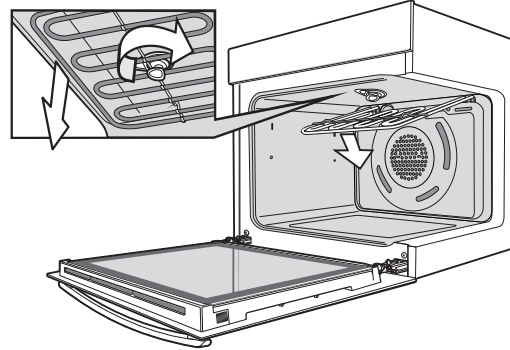
*NOTE: Diagram shows a grill in oven model. The procedure is the same for separate grill models which use the same hanger clip in the grill compartment.*



Retaining clips models - The upper grill element is secured with 2 clips which can be removed to help clean the oven cavity ceiling. To disengage the clips, push the edge of the clip towards back of the oven as shown below. After cleaning raise the grill element and secure clips back in position.



Rotating latch models - rotate latch 180° and the grill element will drop down freely. After cleaning, raise the grill element and secure by rotating the latch back 180°.



### Cleaning the triple glazed oven door (on selected models)



#### CAUTION

Do not lift the door by the handle. Rough handling will cause glass to break.

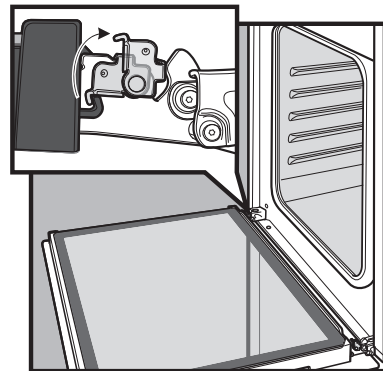
### Removing the oven door



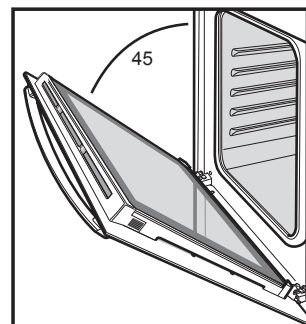
#### IMPORTANT

Your oven is equipped with a door that can be disassembled in order to clean all the panes of glass. Remove the door before cleaning.

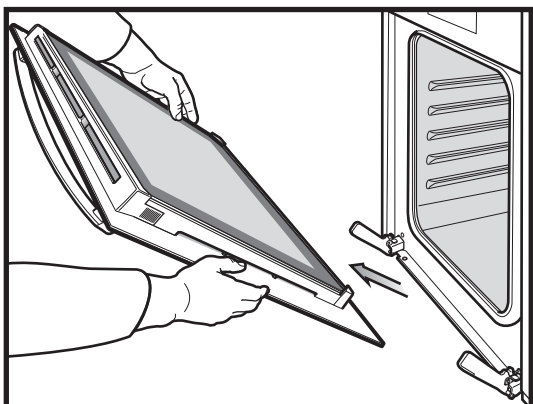
- Open the door fully to access the hinges then rotate the 'stirrups' on both hinges fully towards the oven.



- Slowly close the oven door until it stops against the 'stirrups' (about 45°).



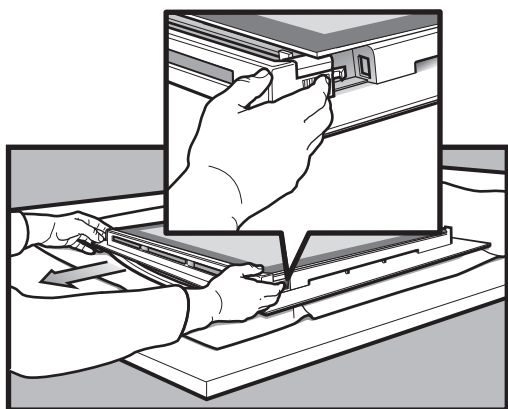
- Grasp the oven door with a hand each side of the door and remove it from the oven by pulling it towards you.



- Lay the oven door with the outer side facing downwards on something soft and flat (for example a blanket on a kitchen table) to prevent scratches.

#### Removing oven door top trim

- Take hold of the grid embossed sections of the door trim at each end and press inwards to release the clips. Remove the door trim by pulling it towards you.

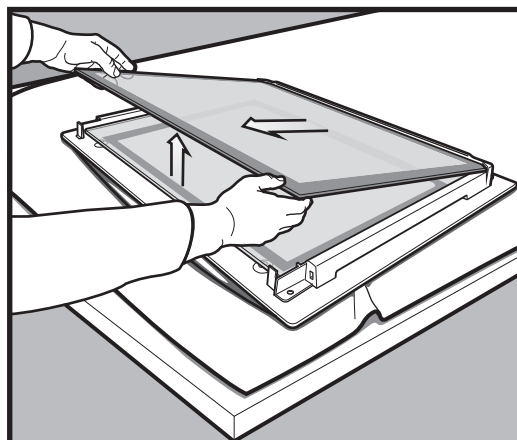


#### Removing the door glass panels

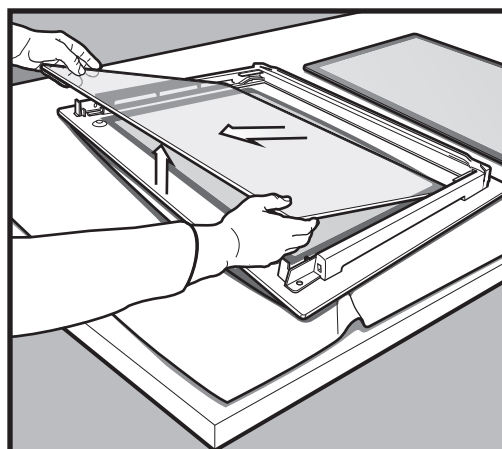
##### CAUTION

Rough handling, especially around the edges can cause the glass to break.

- Lift the black bordered glass panel out of the guide and place on something soft and flat to prevent scratches.



- Repeat this for the smaller clear glass panel (when fitted).



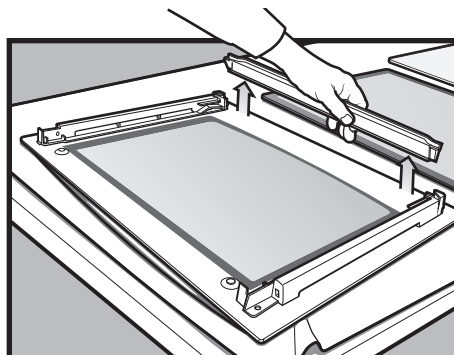
#### Cleaning the door glass panels

##### CAUTION

Do not to use harsh abrasives on the glass panes as the reflective surface plays a role in the function of the oven. Do not place glass in dishwasher. Hand wash only with a soft cloth and warm soapy water. When dry polish with a soft cloth and ensure the glass is dry before reassembly.

#### Removing bottom trim (on selected models)

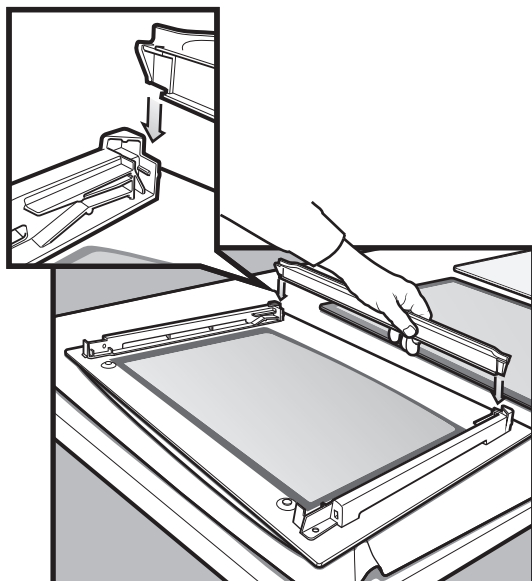
- The bottom trim may be removed for cleaning by snapping out and lifting away from the glass.



## CARE AND CLEANING (CONTINUED)

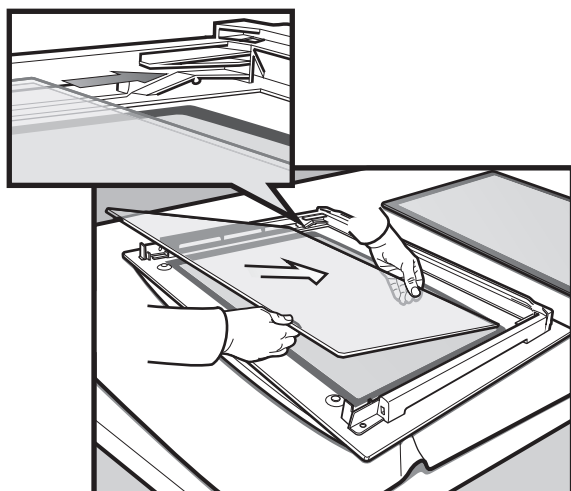
### Re-assembling the bottom trim (on selected models)

- Push down to “snap” each side of bottom trim back into door columns.

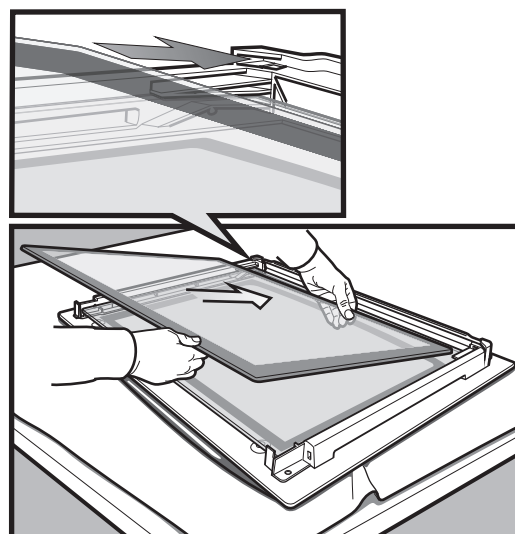


### Re-assembling the door glass panels

- Insert the smaller clear glass panel (when fitted) first from above and at an angle to the profile of the door.

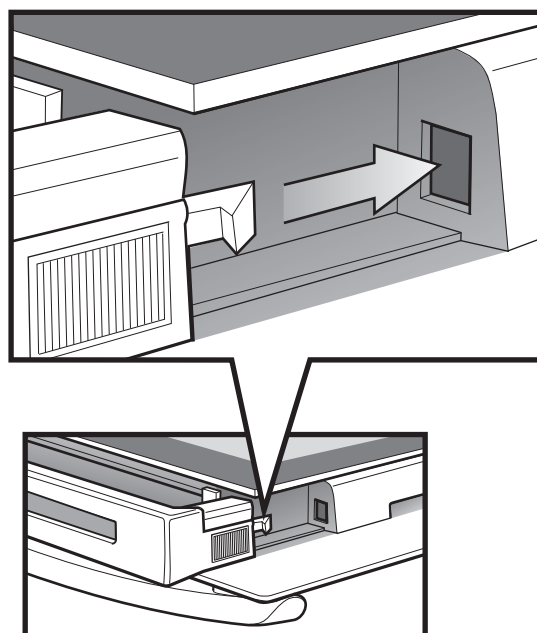


- Repeat for the black bordered glass panel ensuring the painted surface is facing to the downside.

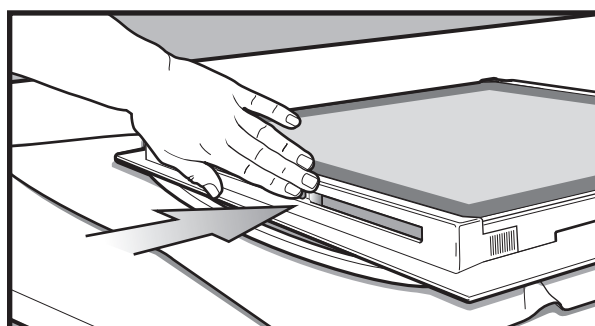


### Re-assembling the top door trim

- Take hold of the top door trim at each side and position it to the inside edge of the glass.
- Push the trim down with its top edge over glass panel until the clip snaps in on each side of the trim.



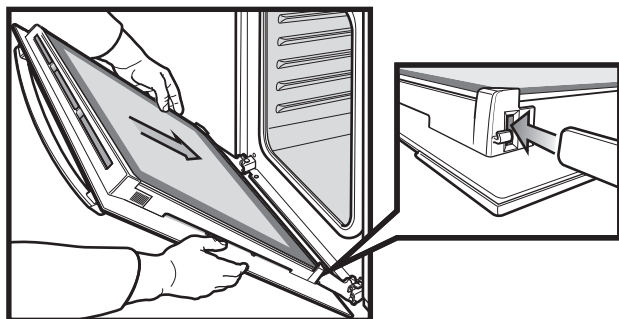
- Push the middle of the trim down to ensure it is straight and firm against the glass panel.



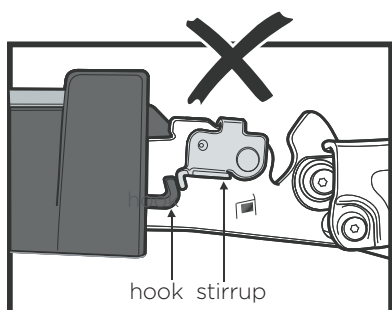
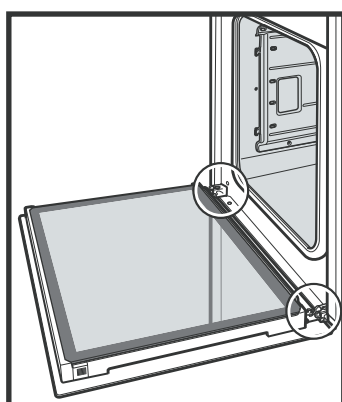
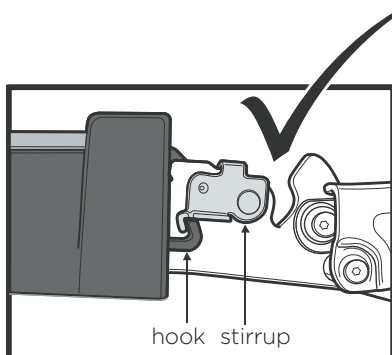


### Fitting the oven door

- Take hold of the oven door with a hand on each side and with the door at an angle of 45°, position the recesses at the bottom of the door onto the hinge arms of the oven. Let the door slide down the hinge arms as far as it will go.



- Open the door fully to access the hinges.
- Rotate the stirrups (see image below) until they lock into the hook. The oven door may now be closed.



### Cleaning the quad glazed oven door (on selected models)

#### ⚠ CAUTION

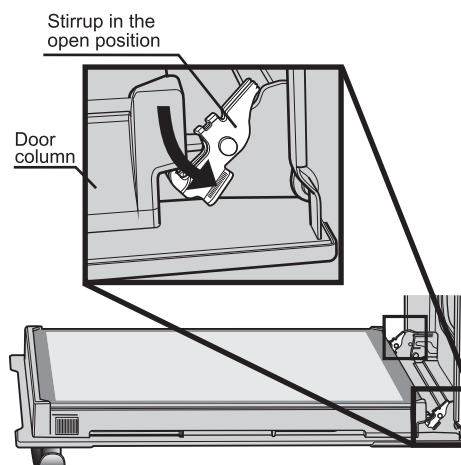
Do not lift the door by the handle. Rough handling will cause glass to break.

### Removing the oven door

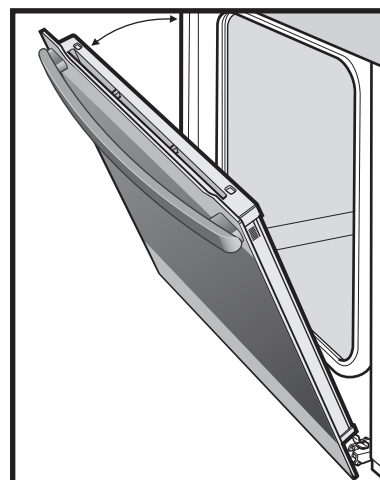
#### i IMPORTANT

Your oven is equipped with a door that can be disassembled in order to clean all the panes of glass. Remove the door before cleaning.

- Open the door fully to access the hinges then rotate the 'stirrups' (highlighted in the image) on both hinges fully to open position.

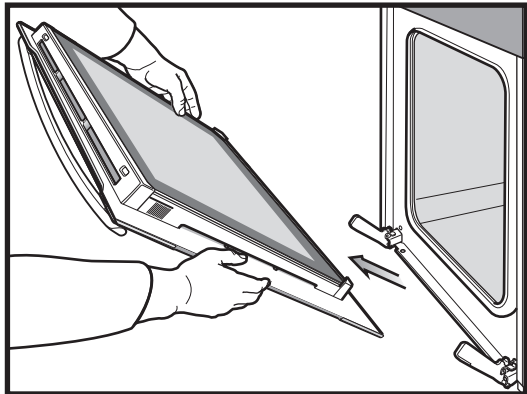


- Slowly close the oven door until it stops against the 'stirrups' (about 30°).



- Hold the oven door with a hand each side and remove it from the oven by pulling it towards you.

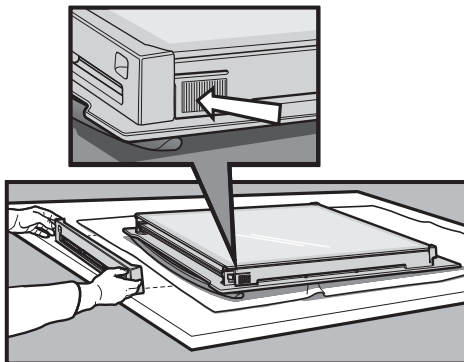
## CARE AND CLEANING (CONTINUED)



- Lay the oven door with the outer side facing downwards on something soft and flat (for example a blanket on a kitchen table) to prevent scratches.

### Removing oven door top trim

- Hold the embossed sections of the door columns at each end and press inwards to release the clips. Remove the upper door trim by pulling it towards you.

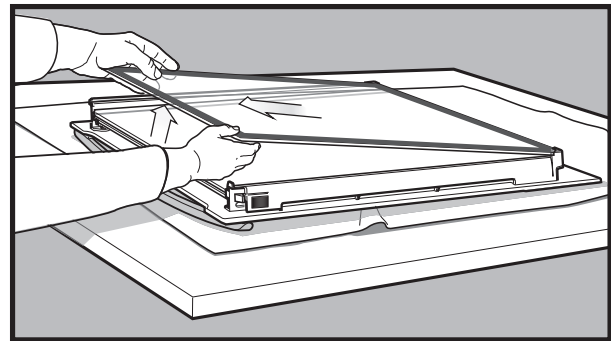


### Removing the door glass panels



**CAUTION**  
Rough handling, especially around the edges can cause the glass to break.

- Lift the black bordered glass panel out of the guide and place on something soft and flat to prevent scratches.
- Repeat this for the smaller clear glass panels.
- When removing panel 3, ensure that the two rubber spacers are removed before cleaning. Do not misplace them!



### Cleaning the door glass panels



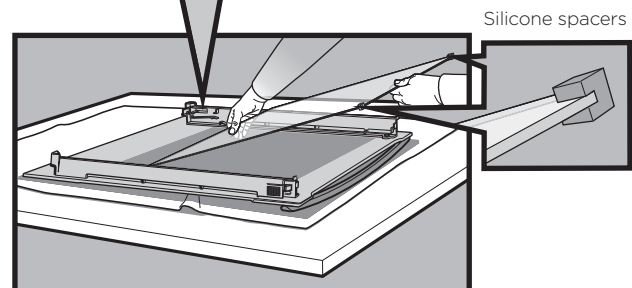
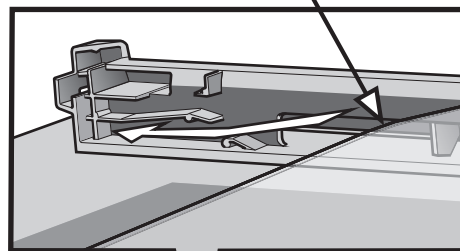
**CAUTION**  
Do not to use harsh abrasives on the glass panes as the reflective surface plays a role in the function of the oven. Do not place glass in dishwasher. Hand wash only with a soft cloth and warm soapy water. When dry polish with a soft cloth and ensure the glass is dry before reassembly.

### Re-assembling the quad glazed oven door (on selected models)

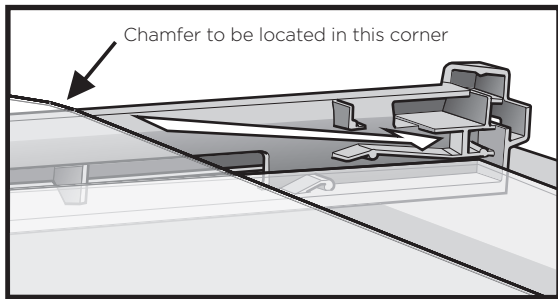
#### Re-assembling the door glass panels

- Assemble the silicone spacers to the upper corners of one of the clear glass panels. Position the panel into the lower position of the door, ensuring the chamfered corner of the panel is placed in the correct location as shown in the image below.

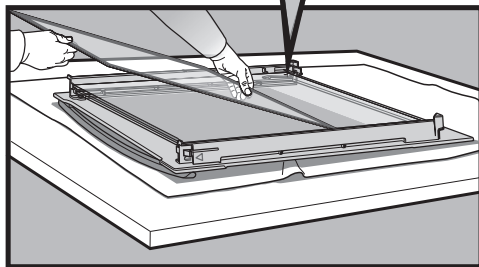
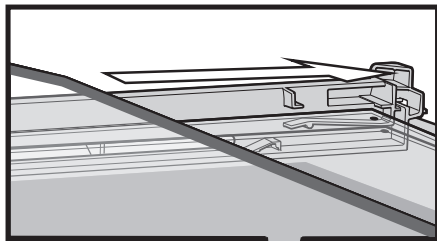
Chamfer to be located in this corner



- Insert the remaining smaller clear glass panel into the middle position, ensuring the chamfered corner of the panel is placed in the correct location as shown in the image below.

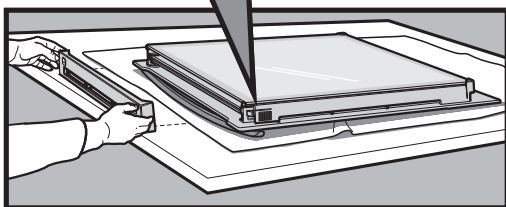
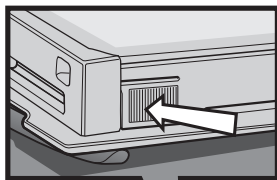


- Insert the black bordered glass panel into the upper position, ensuring the painted surface is facing the downside as per the image below.



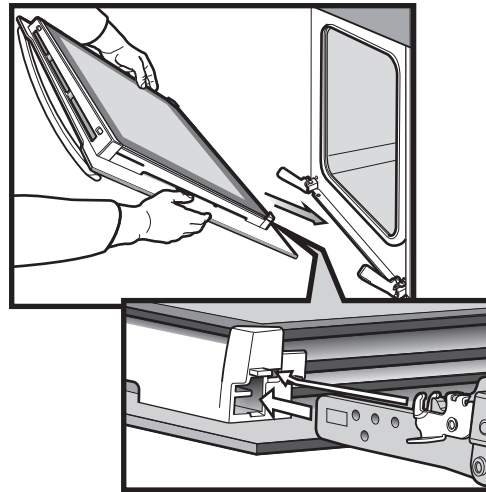
#### Replacing the top door trim

- Hold the top door trim at each side and position it to the inside edge of the glass.
- Push the trim down with its top edge over the glass panel until the clip snap in on each side of the trim.
- Push the middle of the trim down to ensure it is straight and firm against the glass panel.

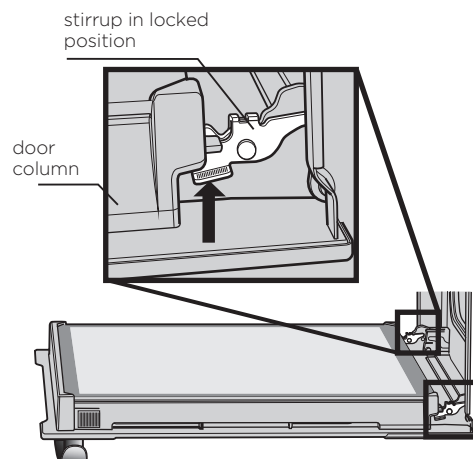


#### Fitting the oven door

- Take hold of the oven door with a hand on each side and with the door at an angle of 30°, position the recesses at the bottom of the door onto the hinge arms of the oven. Let the door slide down the hinge arms as far as it will go.



- Open the door fully to access the hinges.
- Rotate the 'stirrups' (see the image below) until they lock into the hook. The oven door may now be closed.



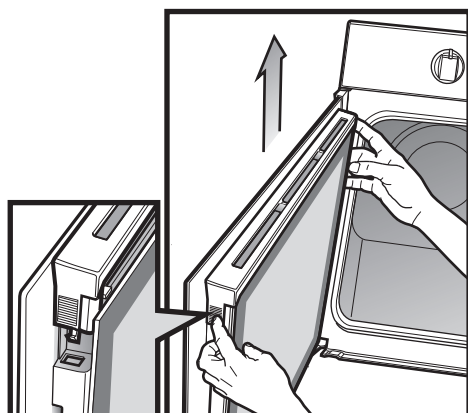
#### Cleaning the side open door (on selected models)

Side open door models have been designed to allow for the inner glass panels to be removed for cleaning.

#### Removing side open door top trim

Take hold of the grid embossed sections of the door trim at each end and press inwards to release the clips. Then remove the door trim by lifting it upwards.

## CARE AND CLEANING (CONTINUED)



### CAUTION

Do not lift the door by the handle. Rough handling will cause glass to break.

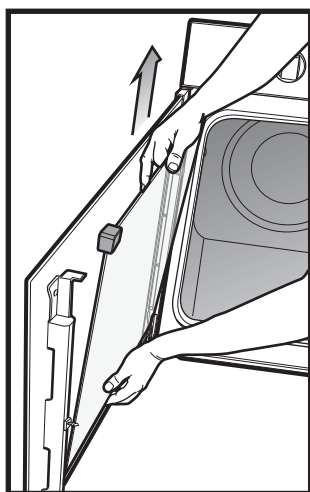
### Removing the door glass panels



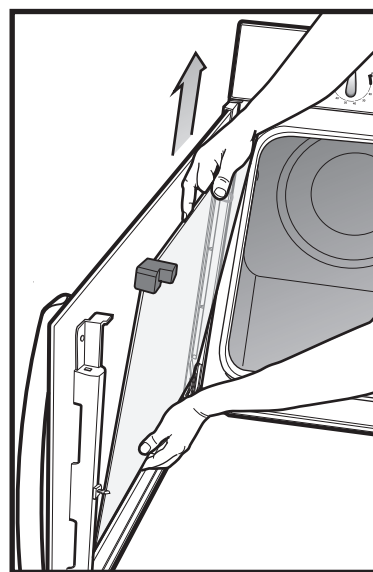
### CAUTION

Rough handling, especially around the edges can cause the glass to break.

- Take hold of the black bordered glass panel with a hand on its upper and lower edge. Lift and rotate the glass around the retainer to remove it from the guide.
- Repeat this for the smaller clear glass panel (when fitted).



- Take hold of the smaller clear glass panel (when fitted) with a hand on its upper and lower edge. Lift the glass to remove it from the retainer.
- The rubber moulding on the upper corner of the small clear glass panel may be removed. Please take care that it is not misplaced.



### Cleaning the door glass panels



### CAUTION

Do not to use harsh abrasives on the glass panes as the reflective surface plays a role in the function of the oven. Do not place glass in dishwasher. Hand wash only with a soft cloth and warm soapy water. When dry polish with a soft cloth and ensure the glass is dry before reassembly.

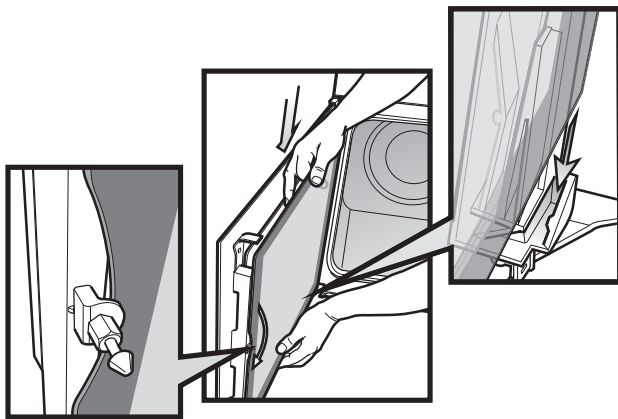
### Re-assembling the side open oven door (on selected models)

#### Re-assembling the door glass panels

- Ensure the rubber moulding is placed in the correct orientation on one of the upper corner of the smaller clear glass panel.
- Insert the smaller glass panel (when fitted) first from above and at an angle to the profile of the door.

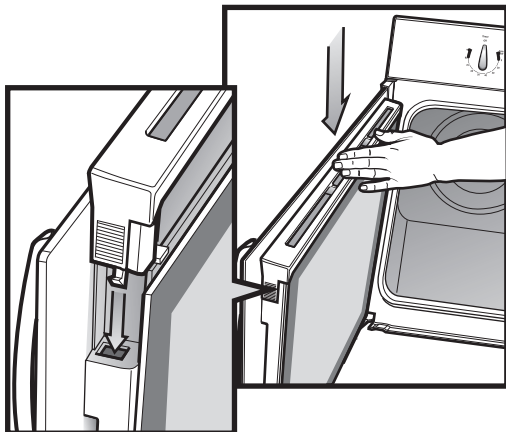


- Repeat for the black bordered glass panel ensuring the painted surface is facing towards the outside of the door.



Replacing top door trim

- Take hold of the top door trim at each side and position it to the inside edge of the glass.
- Push the trim down with its top edge over glass panel until the clip snaps in on each side of the trim.



### Pyrolytic Cleaning of the Oven Cavity (WVEP615, WVEP618 & WVEP627 models only)

The oven has the Pyrolytic self-cleaning function, it cleans by burning off the spatters and accumulated dirt and grease from the oven liner, at high temperature. This process produces ash which can then be wiped out of the oven cavity. It is recommended you clean your oven regularly to keep the oven in its best condition.

- Light clean - this is an energy saving cycle that can be used on a regular basis if the oven is lightly soiled. Possibly after every 2nd or 3rd roast.
- Normal clean - use this as the regular cycle about once every 2-3 months.

### Before carrying out the Pyrolytic cleaning function

#### **WARNING**

- Clean large deposits, spills or grease from the oven cavity.
- Please keep small children at a safe distance. The appliance becomes very hot.
- Never clean non-stick baking trays and tins in the oven during the pyrolytic cycle. High temperatures damage the non-stick coating and poisonous gas is released.
- Pyrolytic cleaning can release fumes that are not harmful to humans, including infants or persons with medical conditions, however you are strongly advised to provide good ventilation during and after each pyrolytic cleaning process.
- Unlike humans, some birds and reptiles can be extremely sensitive to the potential fumes emitted during the pyrolytic cleaning process. It is strongly advised to remove any pets (especially birds) from the vicinity of the appliance during and after each pyrolytic cleaning process.
- Small pets can also be highly sensitive to the localized temperature changes in the vicinity of all pyrolytic ovens when the pyrolytic self cleaning program is in operation.

#### **CAUTION**

- All accessories must be removed from the oven, including shelves, trays and side racks.
- During pyrolytic cleaning the air outlet vent above the door must be kept clear of any obstruction (e.g. tea towels).
- Do not use your oven to clean miscellaneous items (e.g. cookware).
- To prevent damage, do not use acids, sprays or similar cleaning agents.

#### **IMPORTANT**

During the pyrolytic cleaning function, it is advisable not to use a cooktop if it is fitted above the oven. This could cause overheating and damage to both appliances. The cooling fan will operate at an increased speed for Pyrolytic cleaning and will continue to run until the oven has cooled down. It is recommended to use the Pyro clean function regularly to keep the oven in its best condition.

## CARE AND CLEANING (CONTINUED)

### Starting the Pyrolytic cleaning function (WVEP615 & WVEP627 models only)

- Make sure all accessories are removed from the oven including shelves, trays and side racks.
- Turn the oven "Function" selector clockwise to select the "Pyro" position.
- Use the "+" or "-" buttons on the electronic clock to select between a pyrolytic cleaning time of 1:30 hours (light clean) or 2:30 hours (normal clean) for the appropriate level of cleaning.
- After 5 seconds from the last change, the oven will begin heating and the "Remaining time" will be displayed.
- The pyrolytic cleaning function can be stopped at any time during the cycle by turning the function selector counter-clockwise to the "OFF" position.

*NOTE: The "Remaining time" does not include cool-down time for the oven.*

### Starting the Pyrolytic cleaning function (WVEP618 models only)

- Make sure all accessories are removed from the oven including shelves, trays and side racks.
- Switch on the appliance by pressing "On/Off".
- Press the "Function" button repeatedly until the word "P1" is displayed.
- Press the "+" or "-" symbols to choose between "1hrs 30min" (light clean) or "2hrs 30min" (normal clean) for the appropriate level of cleaning.
- Press the "Pyro Accept" button to commence the cleaning process.
- The oven will begin heating and the "Remaining time" will be displayed.
- The pyrolytic cleaning function can be stopped at any time during the cycle by pressing the "On/Off".

*NOTE: The "Remaining time" does not include cool-down time for the oven.*

### During Pyrolytic cleaning

When the temperature in the oven approaches 300°C, the door will automatically lock and a padlock symbol will appear on the display.

### After Pyrolytic cleaning

The door will only unlock when the oven has cooled to a safe temperature. Turning the function off will not unlock the door.

After cool-down, wipe the ash out of the oven with a soft damp cloth and warm water. To restore the enamel shine to more difficult areas, use a damp cloth with vinegar and detergent.



### CAUTION

Do not turn off the mains power supply to the oven during the pyrolytic cleaning cycle. This could damage the appliance.

### Cleaning steam parts (WVE617 model only)

After some time, the water tank can accumulate mineral deposits. To prevent this from occurring, empty the water tank after each steam cooking session and clean the water tank every two to three months using the following process.



### IMPORTANT

During the cleaning procedure, some water can drip from the steam outlet onto the cavity of the oven. Put a dripping pan on the shelf level directly below the steam inlet to prevent water from falling onto the bottom of the oven cavity.

### Cleaning procedure

1. With the oven turned off, fill the water tank with a cleaning solution of 850mL water and 5g citric acid. Leave the cleaning solution in the water tank for approximately 60 minutes.
2. Turn on the oven and set the oven function to 'Steam cooking'. Set the temperature to 230°C. After 25 minutes, turn off the oven and let it cool for 15 minutes.
3. Again, turn on the oven and set the oven function to 'Steam cooking'. Set the temperature to 180°C. After 10 minutes, turn off the oven and let it cool for 15 minutes.
4. Insert the supplied drain pipe and empty the tank of the remaining cleaning solution. When the tank is empty, remove the drain pipe.
5. To flush the water tank, refill the water tank with 850mL of fresh water and empty via the drain pipe.
6. Remove the drain pipe again and clean it by hand in warm water with soap.
7. To prevent the build up of calcium deposits it is recommended to use this procedure every 2 - 3 months.

## USING YOUR COOKTOP



### CAUTION

The ceramic cooktop is made from ceramic glass, a tough durable material that withstands heating and cooling without breaking. However, it must be remembered that as it is GLASS, it may break. Treat it accordingly! Should you have any questions about the glass in your new appliance, please contact the Customer Care Centre by phoning 1300 363 640.

The heating elements are concealed under the smooth glass surface which has a pattern to show the location of the elements. The glass will retain heat for a period of time after the appliance has been turned off. This is indicated by a "HOT SURFACE" warning light. It will remain on whenever the glass surface exceeds 60°C.

### Utensils

- Use pans with smooth, clean and dry bottoms to avoid scratching or burning residue into the glass.
- Ensure the pan bottom is the same size as the working element.
- We do not recommend ceramic glass pans because they do not conduct heat well. Stainless steel or enamelled saucepans are best.
- Do not use pans with copper or aluminium bottoms because they can leave traces which are difficult to remove from the glass.
- If buying new utensils, select enamelled steel pans with 2-3mm thick bottoms or stainless steel pans with sandwich bottoms 4-6mm thick. The pan bottom should be flat, or preferably, slightly concave at room temperature so that it lies flat on the glass surface when hot.

### Cooking Do's and Don'ts

- Do use the stored heat in the hotplate by turning the control off before the final few minutes of cooking.
- Do not place heat resistant mats, wire mats or aluminium foil under pots and pans.
- Do not allow pots and pans to boil dry, as damage to both pan and hotplate may result.
- Do not use round bottom woks, wok stands or similar utensils which could lead to overheating of the hotplates and possible damage to the cooking surface.
- Do not slide pans across the surface of the ceramic glass cooktop, it could result in scratching of the surface.
- Do not use the cooktop as extra bench space or as a cutting board.
- Do not allow children on or near the cooktop at any time.

### Cleaning your ceramic hotplate

1. Remove all spilt food and fat with a razor blade scraper (supplied with the unit) while the ceramic glass is still warm, but not hot. Wipe clean with dishwashing detergent on a damp cloth.
2. If aluminium foil, plastic items or high sugar content liquids/foods are allowed to melt on the ceramic glass, these should be removed immediately with a scraper before the surface has cooled down, otherwise pitting of the surface can occur.

*NOTE: Items with high sugar content not only include jam and fruit but also vegetables such as peas, tomatoes and carrots.*

3. When the ceramic glass is cool, apply a suitable cleaner (supplied with the unit).
4. It is important to follow the cleaner manufacturer's instructions. Remove any cleaning residue from the surface as staining of the cooktop may occur.
5. Do not use abrasive sponges or scourers, oven sprays or stain removers as they may scratch the cooktop.
6. Any pitting, staining, scratches or other surface deterioration is excluded from the warranty.
7. All stains/water marks can be removed by vigorous cleaning, using the supplied ceramic cleaner.

### Cooking hints

Bringing liquids to the boil	Use a high setting.
	Before the liquid begins to boil, turn to a lower setting. This will stop the liquid from boiling over.
Using retained heat	Cooking areas will stay hot after they are turned off. Turn the cooking area off before cooking is finished and use the retained heat to finish cooking.
Turning to higher settings	If the pot does not have a lid, use a higher setting.
Turning to lower settings	If the pot has a lid, then use a higher setting. Use a lower setting for foods which will easily burn e.g. milk, white sauce.
Cooking too fast	If food is cooking too fast, take the pot off the cooktop. Turn the knob to a lower setting. Let the cooking area cool down and replace the pot.

# TROUBLESHOOTING

## Cooktop

PROBLEM	POSSIBLE CAUSE	SOLUTION
Heating elements not working	<ul style="list-style-type: none"> <li>Power not switched on</li> <li>Controls incorrectly set</li> <li>Household fuse blown</li> </ul>	<ul style="list-style-type: none"> <li>Check cooktop is plugged in and power is on</li> <li>Check correct knob turned for element</li> <li>Replace household fuse. If the fuse continues to blow, contact the Service Centre</li> </ul>
Benchtop becoming too hot and/or beginning to discolour	<ul style="list-style-type: none"> <li>Wrong type of cooking pot</li> <li>Pot may overhang the cooktop</li> <li>Pot is too large</li> </ul>	<ul style="list-style-type: none"> <li>Make sure bases are not concave</li> <li>Place pot on centre of element so that it does not overhang</li> <li>Use a smaller pot</li> </ul>
Food taking too long to cook	<ul style="list-style-type: none"> <li>Pot base is not flat</li> <li>Pot may be off centre</li> <li>Need to use a larger element</li> <li>Using a round based wok</li> <li>Controls are incorrectly set</li> </ul>	<ul style="list-style-type: none"> <li>Make sure pot base is flat or slightly convex</li> <li>Centre pot over element making sure it does not overhang the cooktop</li> <li>Move pot to a larger element</li> <li>Use a flat based wok on electric cooktops</li> <li>Check controls are set correctly and increase if necessary</li> </ul>
Cannot simmer food	<ul style="list-style-type: none"> <li>Control set too high</li> <li>Element too large</li> </ul>	<ul style="list-style-type: none"> <li>Turn control to lower setting</li> <li>Use a smaller element</li> </ul>
Elements giving off smoke or odours when first used	<ul style="list-style-type: none"> <li>Protective oils being removed in first cooking</li> </ul>	<ul style="list-style-type: none"> <li>Do not worry, this is normal</li> </ul>
Glass surface becomes milky white when pot is removed	<ul style="list-style-type: none"> <li>Base of pot is concave</li> </ul>	<ul style="list-style-type: none"> <li>Use a flat based pot</li> </ul>

## Faults

If there is a problem with the oven and/or grill, please:

- Check the points listed below before calling for service. It may be possible to avoid a call by fixing the problem yourself – and so continue cooking.
- For cooking problems refer to “Dealing with cooking problems”.

*NOTE: We may charge for service even in the guarantee period if your problem is due to the causes listed below.*

## Data Plate

When you need information, service or spare parts please be prepared to tell us the:

- Model number
- Serial number

These are shown on the data plate. The data plate is visible when the oven or grill door is open.

If you need more information, please contact the Customer Care Centre on:

### Australia: 1300 363 640

(Australia – Centre is open 8.00am – 5.00pm Monday – Friday Eastern Standard Time).

### New Zealand 0800 436 245

(New Zealand – Centre is open 8.00am – 5.00pm Monday – Friday).

If you have a warranty or spare parts enquiry, you should call the number listed on the back page.



## Oven

PROBLEM	POSSIBLE CAUSE
Oven or grill not working	<ul style="list-style-type: none"> <li>• Time of day not set.</li> <li>• Power not turned on.</li> <li>• Controls are incorrectly set.</li> <li>• Oven is in 'Demo' mode, refer to Using your oven section.</li> <li>• Household fuse has blown or power supply is off.</li> </ul> <p><i>NOTE: If the household fuse continues to blow, call the Customer Care Centre.</i></p> <ul style="list-style-type: none"> <li>• Child-proof oven lock is activated. 'LOCKED' is displayed when control is touched. (Refer to Using your oven section)</li> </ul>
The oven seal is loose	<ul style="list-style-type: none"> <li>• The oven seal is only attached at each corner. It may seem like a loose fit but when the oven door is closed it will function correctly.</li> </ul>
Oven light not working	<ul style="list-style-type: none"> <li>• Light may be turned off at control panel.</li> <li>• Lamp blown or loose in socket.</li> <li>• Household fuse has blown.</li> </ul> <p><i>NOTE: If the household fuse continues to blow, call the Customer Care Centre.</i></p>
Oven not heating enough	<ul style="list-style-type: none"> <li>• Foil or trays on bottom of oven.</li> <li>• Timer is in "AUTO" mode. (Refer to timer operating instructions)</li> <li>• Household fuse has blown.</li> </ul> <p><i>NOTE: If the household fuse continues to blow, call the Customer Care Centre.</i></p>
Clock flashing on display	<ul style="list-style-type: none"> <li>• Reset time of day and any cooking functions you were using.</li> </ul>
Unit smoking when first used	<ul style="list-style-type: none"> <li>• Protective oils being removed.</li> </ul>
Condensation build up	<ul style="list-style-type: none"> <li>• Reduce the amount of water used in cooking. (Sometimes condensation is normal)</li> </ul>
Door cannot be replaced after removal	<ul style="list-style-type: none"> <li>• Stirrup not engaged properly.</li> </ul>
Functions and temperature appear on display but oven does not work	<ul style="list-style-type: none"> <li>• Oven is in 'Demo' mode, refer to Using your oven section.</li> </ul>
When the door is open the fan stops (underbench only)	<ul style="list-style-type: none"> <li>• This is a function of the power board to help reduce the blast of air when opening the door.</li> </ul>
When a non fan mode is selected the fan starts	<ul style="list-style-type: none"> <li>• Most oven modes have a fast heat up function that uses the fan, fan element and top (boost) elements. Auto fast heat up can be overridden by selecting a temperature of 120°C or less, allowing the function to start, then increasing the temperature to the desired level.</li> </ul>
The light stays on when the door is closed	<ul style="list-style-type: none"> <li>• An oven function has been selected.</li> <li>• The light has been turned on at the control panel.</li> </ul>
The light does not turn *ON* when the door is opened	<ul style="list-style-type: none"> <li>• Oven light may need replacing.</li> </ul>
Shelf or telescopic runner slides out when door is opened	<ul style="list-style-type: none"> <li>• Oven cavity is not level, you can perform a check using a level to verify this (refer to installation section). If not level refer to installer.</li> </ul>

*NOTE: Only authorised personnel should carry out servicing.*

## INSTALLING YOUR APPLIANCE

### WARNING

To avoid any potential hazard, you must follow our instructions when you install your appliance. Failure to install the appliance correctly could invalidate any warranty or liability claims and lead to prosecution.

- This appliance must be installed by an authorised person according to all codes and regulations as stated in the local municipal building code and other relevant statutory regulations.
- Wiring connections must be in accordance with AS/NZS 3000 Wiring Rules and any particular conditions of the local authority.
- Refer to data plate for rating information. The data plate is positioned behind the bottom of the oven door.
- Disconnection in the fixed wiring must occur in accordance with the AS/NZS3000 wiring rules.
- Wiring should be protected against mechanical failure. Refer to AS/NZS3000 clauses 3.3.2.6, 3.9, 3.10
- A means of disconnection with a contact separation of at least 3mm must be supplied in the fixed wiring.
- This range must be connected with cable of 75°C rating minimum.
- This product has passed the insulation resistance test after manufacture. If the resistance reading is low at installation, it is probably caused by moisture from the atmosphere being absorbed by the elements after the range has been produced. (Pass at 0.01MΩ AS/NZS 3000 Wiring Rules Clause 8.3.6.2).

### Rated power input

MODEL	TOTAL kW	A1 kW	A2 kW
WVE645	8.7	2.3	6.4

MODEL	PRODUCT DIMENSIONS (H X W X D) MM	MINIMUM FUSE RATING	MAXIMUM POWER RATING	MAXIMUM CURRENT RATING	WIRE SECTION (MM <sup>2</sup> )
WVE613	597 x 596 x 573	16A	2.3kW	9.6A	2.5
WVES613	597 x 596 x 573	16A	2.3kW	9.6A	2.5
WVE614	597 x 596 x 573	16A	2.3kW	9.6A	2.5
WVE615	597 x 596 x 573	16A	3.0kW	12.5A	2.5
WVE616/606	597 x 596 x 573	16A	3.0kW	12.5A	2.5
WVEP615	597 x 596 x 573	16A	3.1kW	12.9A	2.5
WVE617	597 x 596 x 573	16A	3.1kW	12.9A	2.5
WVEP618	597 x 596 x 573	16A	3.1kW	12.9A	2.5
WVE626	890 x 596 x 573	25A	5.3kW	22.4A	4.0
WVE636	1083 x 596 x 573	32A	6.2kW	25.8A	6.0
WVE645	597 x 596 x 573	40A	8.7kW	36.3A	6.0
WVE655	727 x 596 x 573	25A	4.9kW	20.4A	4.0
WVE665	890 x 596 x 573	25A	5.3kW	22.1A	4.0
WVE607	597 x 596 x 573	16A	3.1kW	12.9A	2.5
WVEP627	890 x 596 x 573	25A	5.3kW	22.4A	4.0

Note: Electrical connection is 230-240 volts AC 50Hz. Wiring minimum temperature rating 75°C.

### WARNING

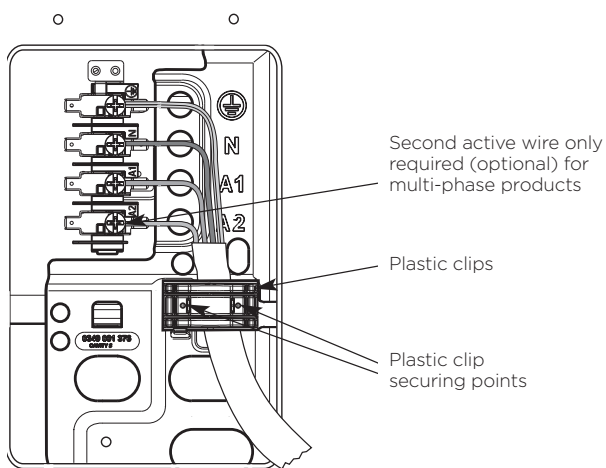
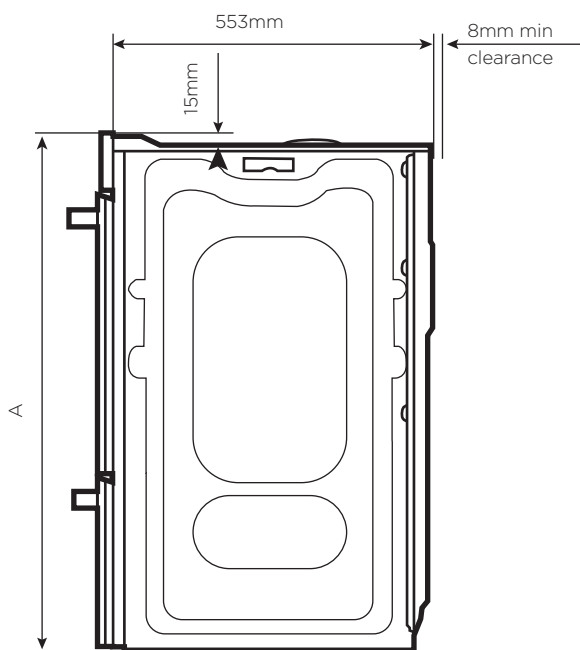
This appliance must be properly earthed.

- Do not lift the appliance by the door handles.
- Prepare the cupboard opening to match your appliance measurements. (See diagrams)
- Slide appliance into the cupboard, ensuring that the supply cable (where fitted) does not kink.
- To prevent tipping, use the screws supplied to secure your oven into the cupboard. Use just 2 screws for underbench and separate grill underbench ovens, and 4 screws for separate grill wall ovens. Remove the bottom door in separate grill wall ovens to provide access to the bottom 2 screwing points.
- For appliances fitted with a flexible supply cord, if the cord is damaged, it must be replaced by the manufacturer or its service agent or similarly qualified person in order to avoid a hazard. The plug must be accessible after installation.
- Where the appliance is built into a cabinet, the cabinet material must be capable of withstanding 70°C. Installation into low temperature tolerant cabinetry (e.g. vinyl coated) may result in deterioration of the low temperature coating by discolouring or bubbling.
- If the appliance is installed adjacent to vinyl-wrapped surfaces, use an installation kit available from the vinyl-wrap supplier.
- Electrolux Home Products cannot accept responsibility for damage caused by installation into low temperature tolerant cabinets.
- After installation, test and ensure that the appliance operates correctly before handing it over to the customer. It is recommended that this product is not installed in an unvented living space, particularly if that space incorporates sleeping quarters.

- If a powerpoint is fitted it must be accessible with the appliance installed, as the plug must be accessible after installation.
- This appliance must be mounted on a flat surface for the full width and depth of the product.
- To avoid overheating, the appliance must not be installed in a recess or cupboard behind a decorative door.

### Hard wiring detail

1. Remove terminal cover plate from rear panel of appliance.
2. Fit wires through hole in cover plate and make connections to terminals.
3. Engage wires into plastic clip. Secure plastic clip with two long silver screws (supplied in separate bag).
4. Replace cover plate onto rear panel.



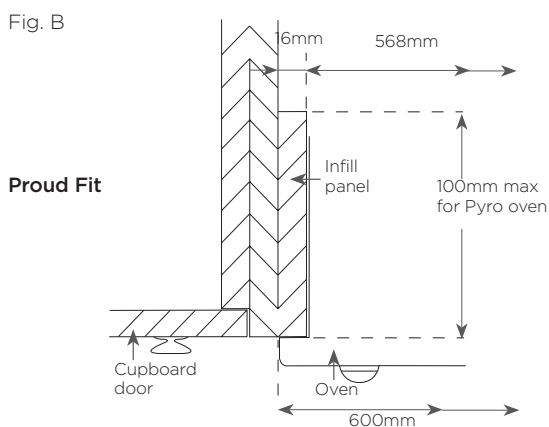
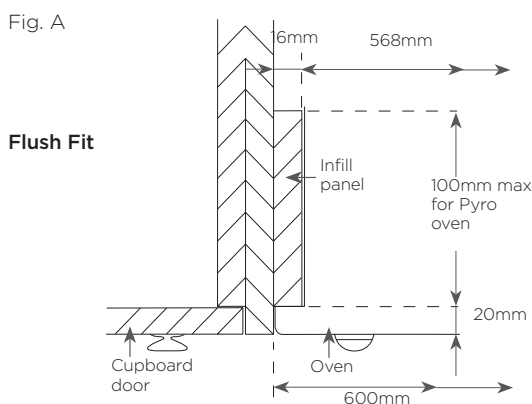
### Cabinet construction for your appliance

For the best integration within a kitchen, install the appliance in a standard 600mm wide cupboard that gives a flush fit with the surrounding cupboard fronts as shown in Fig. A. A recess of 20 mm is ideal.

With the exception of pyrolytic ovens, the appliance can also be installed using a proud fit to the surrounding cupboard as shown in Fig. B.

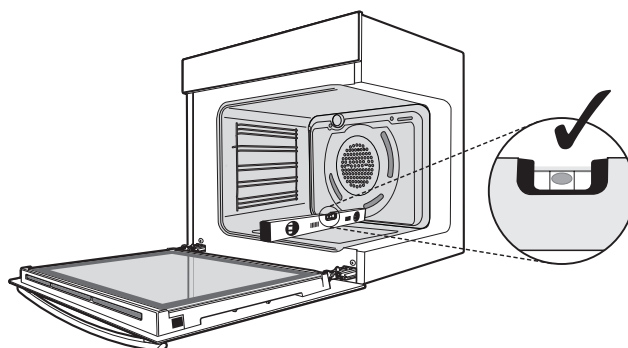
### ⚠ CAUTION

For all Pyrolytic clean oven models, the oven must be installed as a flush fit to the surrounding cupboards and the "Infill panel" MUST not exceed 100mm in length. This ensures a 16mm gap is maintained between the cabinet and oven side to prevent the cupboard overheating.



### Levelling oven

Place a level in the oven as below, making sure the level sits on the front and rear forms.

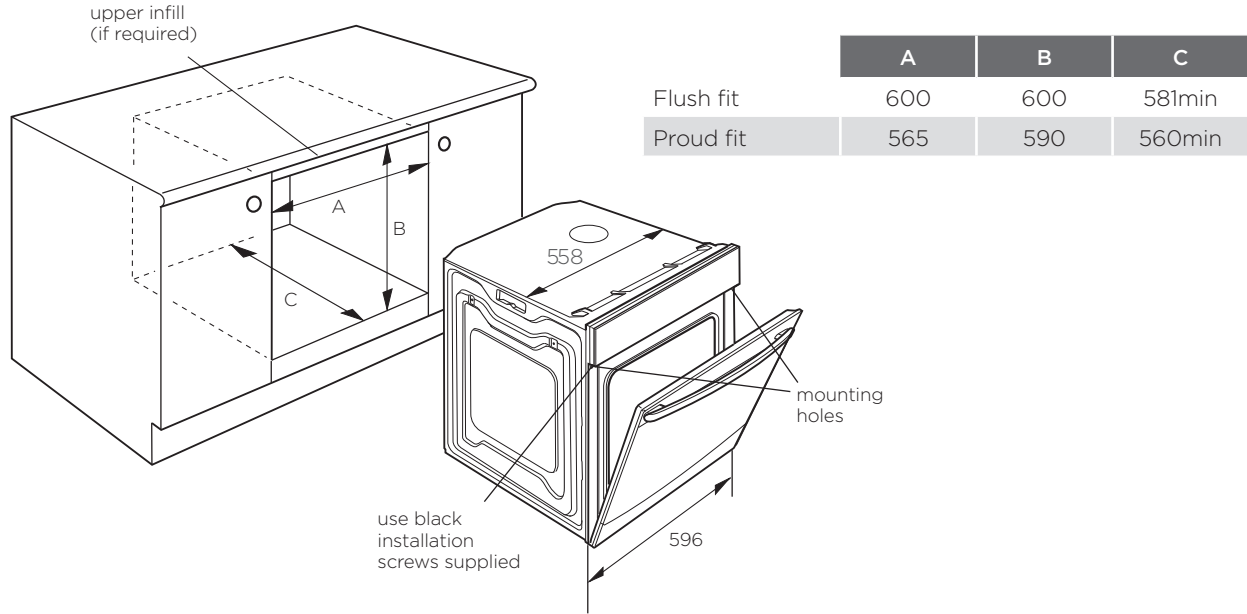


# INSTALLING YOUR APPLIANCE

## Non-pyrolytic underbench ovens and side open door oven

Your underbench oven looks best when the control panel is directly under the benchtop. An upper infill panel may have to be added if the cooktop placed over the oven is too deep. Refer to cooktop installation instructions for required clearance between cooktop and oven.

Power point connection for the WVE617 must be accessible with the appliance fully installed. If the supply cord is damaged it must be replaced by the manufacturer, its service agent or similarly qualified persons in order to avoid a hazard.



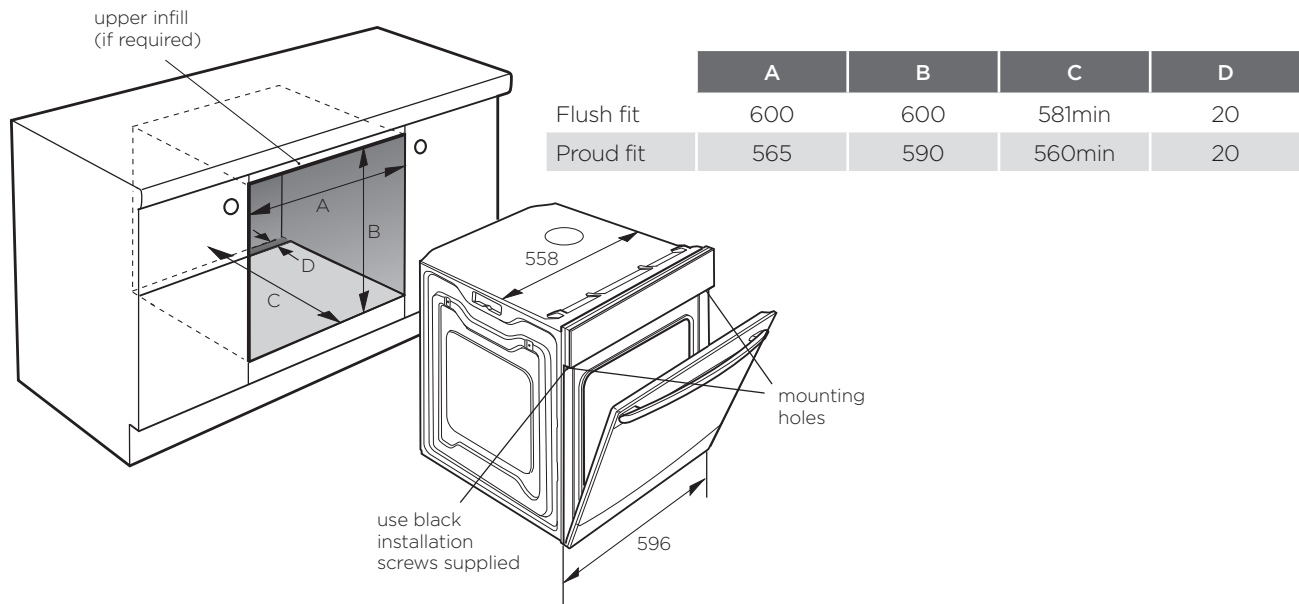
## Pyrolytic underbench oven

Your underbench oven looks best when the control panel is directly under the benchtop. An upper infill panel may have to be added if the cooktop placed over the oven is too deep. Refer to cooktop installation instructions for required clearance between cooktop and oven.



**NOTE:** Dimension "D".

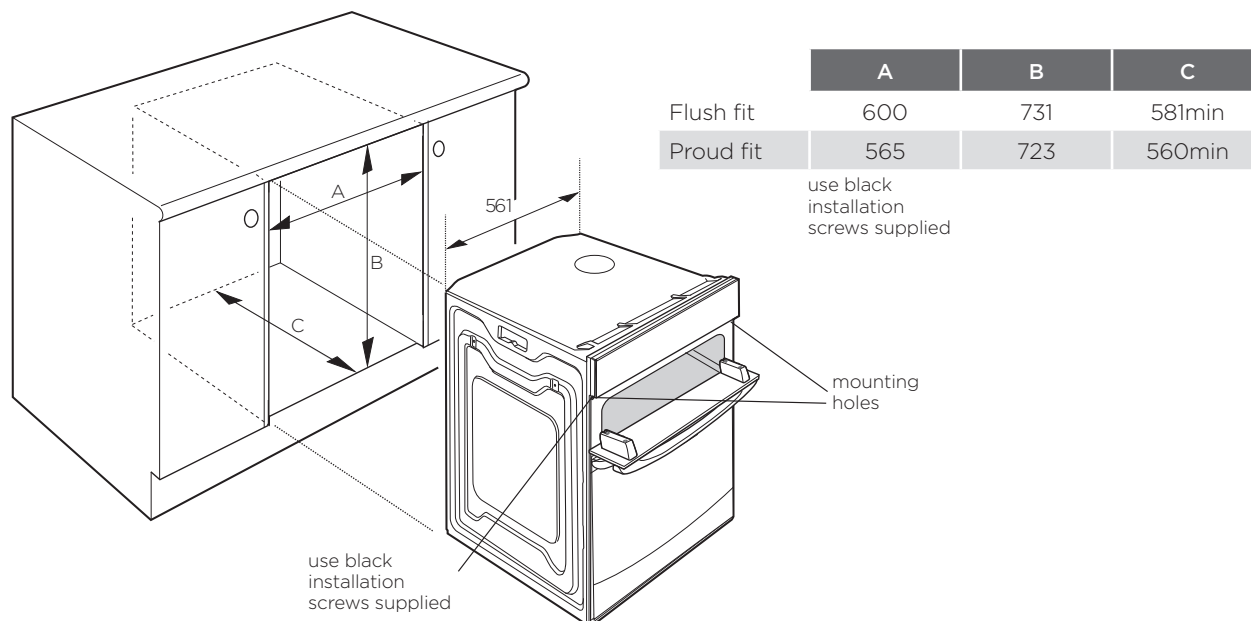
A requirement for all pyrolytic clean ovens - for proper ventilation there must be a gap at the bottom rear of the cabinet. This can be a full width opening 20mm deep.



### Separate grill underbench oven

Your underbench oven looks best when the control panel is directly under the benchtop. An upper infill panel may have to be added if the cooktop placed over the oven is too deep. Refer to cooktop installation instructions for required clearance between cooktop and oven.

*NOTE TO INSTALLER: For separate grill underbench installations where a cooktop is installed directly above the appliance, a minimum clearance distance of 10mm must be allowed for between the bottom of the cooktop & the top of the separate grill underbench oven.*

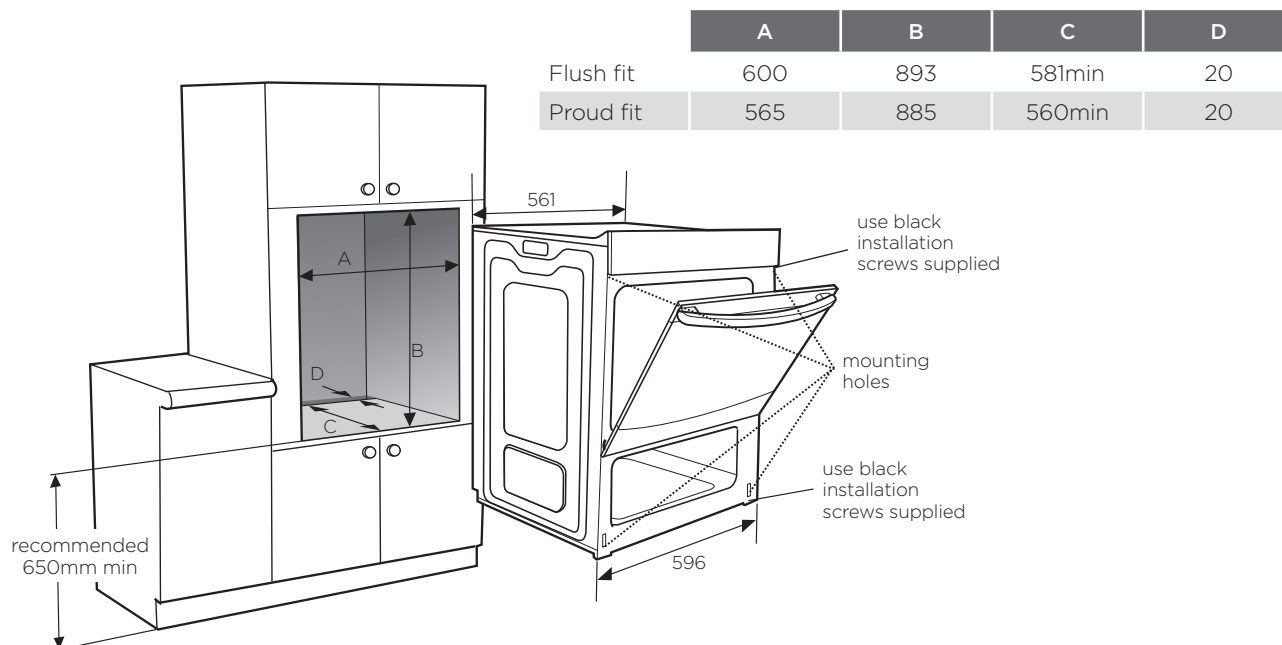


### Separate grill wall oven & duo oven

#### CAUTION

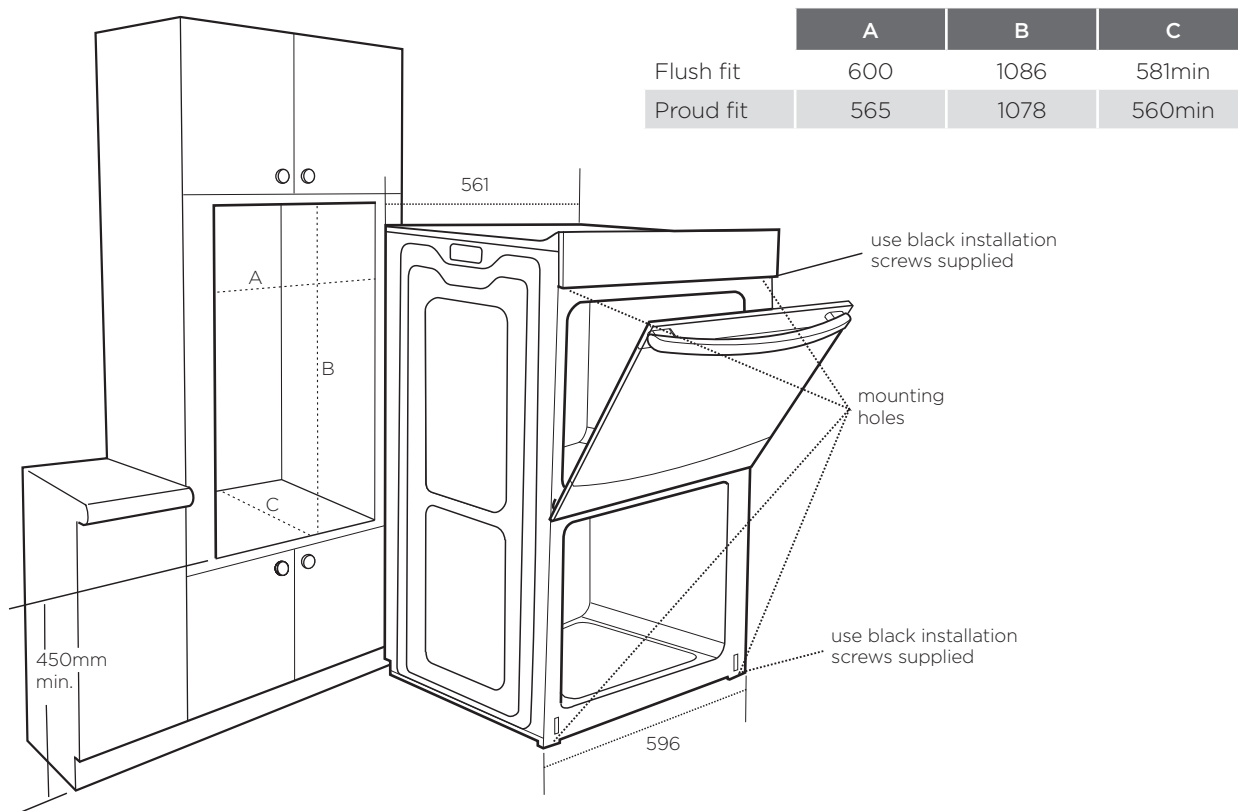
*NOTE: Dimension "D".*

*A requirement for all separate grill wall ovens and all duo ovens - for proper ventilation there must be a gap at the bottom rear of the cabinet. This can be a full width opening 20mm deep.*



# INSTALLING YOUR APPLIANCE

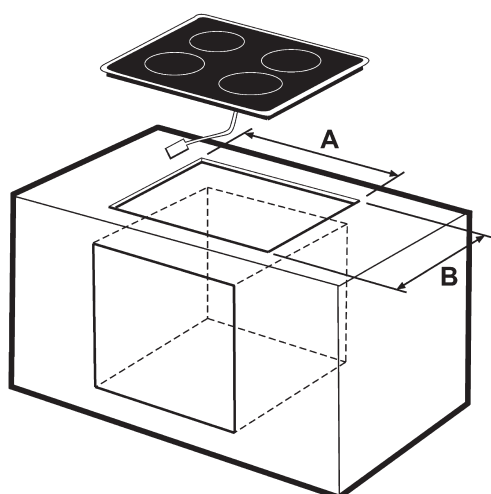
## Double oven



## Combo oven - cooktop cut-out dimensions

A minimum gap of 40mm must be maintained between the top of the underbench oven and the bottom of the cooktop to ensure adequate ventilation and space for the interconnection lead.

The cooktop must be installed above the underbench oven.



### COOKTOP DIMENSIONS

Overall Cooktop Dimensions

Width	610mm
Depth	515mm
Depth of base	45mm

### COOKTOP CUT-OUT DIMENSIONS

	A	B
Cooktop	560mm	490mm

A minimum gap of 40mm must be maintained between the top of the underbench oven and the bottom of the cooktop to ensure adequate ventilation and space for the interconnection lead.



### CAUTION

The cooktop **MUST** be installed above the underbench oven.

# Electrolux Warranty

FOR SALES IN AUSTRALIA AND NEW ZEALAND  
APPLIANCE: WESTINGHOUSE BUILT-IN OVENS, COOKTOPS AND  
FREESTANDING COOKER

**This document sets out the terms and conditions of the product warranties for Westinghouse Appliances. It is an important document. Please keep it with your proof of purchase documents in a safe place for future reference should there be a manufacturing defect in your Appliance. This warranty is in addition to other rights you may have under the Australian Consumer Law.**

**1. In this warranty:**

- (a) 'ACL' or 'Australian Consumer Law' means Schedule 2 to the Competition and Consumer Act 2010;
- (b) 'Appliance' means any Electrolux product purchased by you and accompanied by this document;
- (c) 'ASC' means Electrolux's authorised serviced centres;
- (d) 'Westinghouse' is the brand controlled by Electrolux Home Products Pty Ltd of 163 O'Riordan Street, Mascot NSW 2020, ABN 51 004 762 341 in respect of Appliances purchased in Australia and Electrolux (NZ) Limited (collectively "Electrolux") of 3-5 Niall Burgess Road, Mount Wellington, in respect of Appliances purchased in New Zealand;
- (e) 'Warranty Period' means the period specified in clause 3 of this warranty;
- (f) 'you' means the purchaser of the Appliance not having purchased the Appliance for re-sale, and 'your' has a corresponding meaning.

**2. Application:** This warranty only applies to new Appliances, purchased and used in Australia or New Zealand and is in addition to (and does not exclude, restrict, or modify in any way) other rights and remedies under a law to which the Appliances or services relate, including any non-excludable statutory guarantees in Australia and New Zealand.

**3. Warranty Period:** Subject to these terms and conditions, this warranty continues in Australia for a period of 24 months and in New Zealand for a period of 24 months, following the date of original purchase of the Appliance.

**4. Repair or replace warranty:** During the Warranty Period, Electrolux or its ASC will, at no extra charge if your Appliance is readily accessible for service, without special equipment and subject to these terms and conditions, repair or replace any parts which it considers to be defective. Electrolux may, in its absolute discretion, choose whether the remedy offered for a valid warranty claim is repair or replacement. Electrolux or its ASC may use refurbished parts to repair your Appliance. You agree that any replaced Appliances or parts become the property of Electrolux.

**5. Travel and transportation costs:** Subject to clause 7, Electrolux will bear the reasonable cost of transportation, travel and delivery of the Appliance to and from Electrolux or its ASC. Travel and transportation will be arranged by Electrolux as part of any valid warranty claim.

**6. Proof of purchase** is required before you can make a claim under this warranty.

**7. Exclusions:** You may not make a claim under this warranty unless the defect claimed is due to faulty or defective parts or workmanship. This warranty does not cover:

- (a) light globes, batteries, filters or similar perishable parts;
- (b) parts and Appliances not supplied by Electrolux;
- (c) cosmetic damage which does not affect the operation of the Appliance;

- (d) damage to the Appliance caused by:
  - (i) negligence or accident;
  - (ii) misuse or abuse, including failure to properly maintain or service;
  - (iii) improper, negligent or faulty servicing or repair works done by anyone other than an Electrolux authorised repairer or ASC;
  - (iv) normal wear and tear;
  - (v) power surges, electrical storm damage or incorrect power supply;
  - (vi) incomplete or improper installation;
  - (vii) incorrect, improper or inappropriate operation;
  - (viii) insect or vermin infestation;
  - (ix) failure to comply with any additional instructions supplied with the Appliance;

In addition, Electrolux is not liable under this warranty if:

- (a) the Appliance has been, or Electrolux reasonably believes that the Appliance has been, used for purposes other than those for which the Appliance was intended, including where the Appliance has been used for any non-domestic purpose;
- (b) the Appliance is modified without authority from Electrolux in writing;
- (c) the Appliance's serial number or warranty seal has been removed or defaced

**8. How to claim under this warranty:** To enquire about claiming under this warranty, please follow these steps:

- (a) carefully check the operating instructions, user manual and the terms of this warranty;
- (b) have the model and serial number of the Appliance available;
- (c) have the proof of purchase (e.g. an invoice) available;
- (d) telephone the numbers shown below.

**9. Australia:** For Appliances and services provided by Electrolux in Australia: Electrolux goods come with guarantees that cannot be excluded under the Australian Consumer Law. You are entitled to a replacement or refund for a major failure and for compensation for any other reasonably foreseeable loss or damage. You are also entitled to have the Appliance repaired or replaced if the Appliance fails to be of acceptable quality and the failure does not amount to a major failure. 'Acceptable quality' and 'major failure' have the same meaning as referred to in the ACL.

**10. New Zealand:** For Appliances and services provided by Electrolux in New Zealand, the Appliances come with a guarantee by Electrolux pursuant to the provisions of the Consumer Guarantees Act, the Sale of Goods Act and the Fair Trading Act. Where the Appliance was purchased in New Zealand for commercial purposes the Consumer Guarantee Act does not apply.

**11. Confidentiality:** You accept that if you make a warranty claim, Electrolux and its agents including ASC may exchange information in relation to you to enable Electrolux to meet its obligations under this warranty.

### Important Notice

Before calling for service, please ensure that the steps listed in clause 8 above have been followed.

<p><b>FOR SERVICE</b> or to find the address of your nearest authorised service centre in Australia <b>PLEASE CALL 13 13 49</b> <small>For the cost of a local call (Australia only)</small></p>	<p><b>AUSTRALIA</b> ELECTROLUX HOME PRODUCTS 163 O'Riordan Street, Mascot NSW 2020 electrolux.com.au</p>	<p><b>FOR SPARE PARTS</b> or to find the address of your nearest spare parts centre in Australia <b>PLEASE CALL 13 13 50</b> <small>For the cost of a local call (Australia only)</small></p>
<p><b>FOR SERVICE</b> or to find the address of your nearest authorised service centre in New Zealand <b>PLEASE CALL 0800 10 66 10</b> <small>(New Zealand only)</small></p>	<p><b>NEW ZEALAND</b> ELECTROLUX (NZ) Limited 3-5 Niall Burgess Road, Mount Wellington electrolux.co.nz</p>	<p><b>FOR SPARE PARTS</b> or to find the address of your nearest spare parts centre in New Zealand <b>PLEASE CALL 0800 10 66 20</b> <small>(New Zealand only)</small></p>

## **TOP SERVICE**

Electrolux Top Service encompasses the after sales service including Delivery, Home Service and Spare Parts.

 and WESTINGHOUSE are trademarks of Westinghouse Electric Corporation. Used under license by Electrolux Home Products Pty Ltd. All Rights Reserved.

A17443101 Rev A ECN 109379

© 2019 Electrolux Home Products Pty Ltd.  
ABN 51 004 762 341  
WMAN\_EBIC\_Mar19