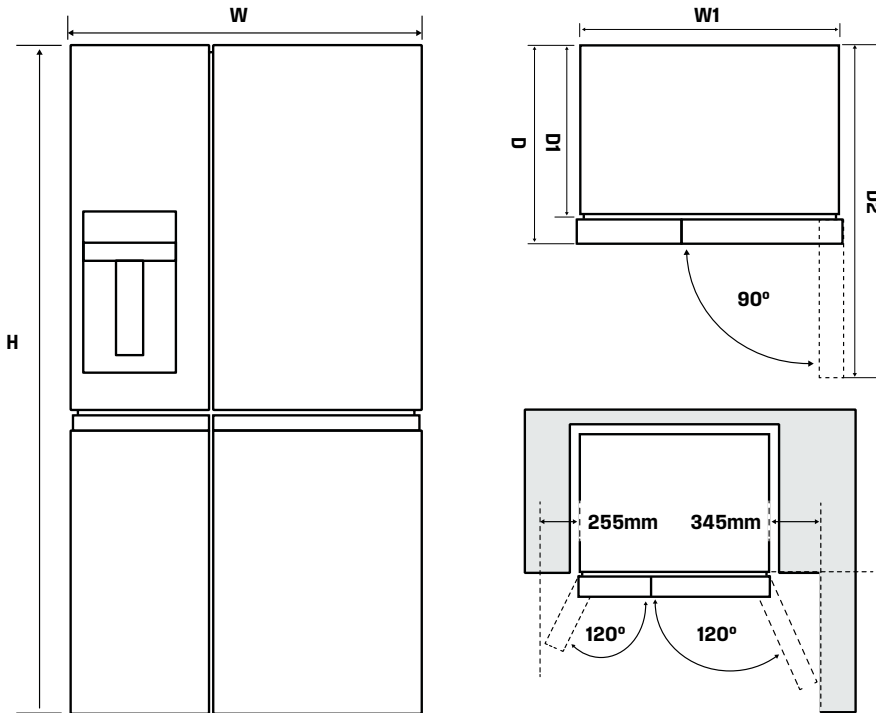


Large quad door fridge

WQE6170BB

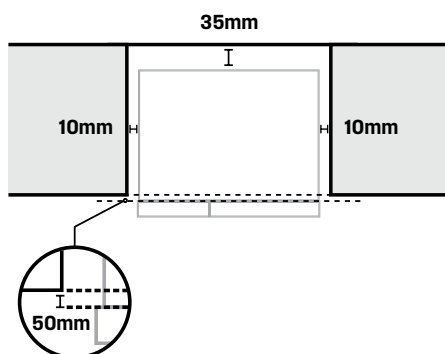


When positioned in a corner area, spacing of at least 345mm on the right hinge side and 255mm on the left hinge side will allow the doors to open enough to enable the removal of bins and shelves.

Installation options for optimal aesthetics:

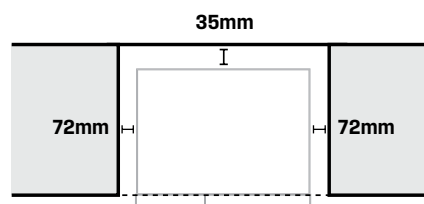
Minimum side clearance kitchen cabinet

Fridge must sit 50mm proud of kitchen cabinetry.
Minimum cabinetry opening (WxDxH):
928mm x 613mm x 1807mm



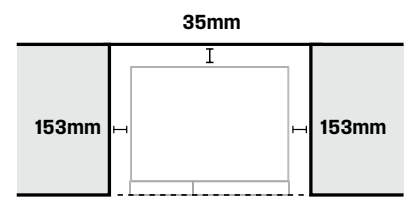
Front of fridge in line with kitchen cabinet

Side clearance must be 72mm either side of the fridge, to have the fridge doors sitting proud of the kitchen cabinetry.
Minimum cabinetry opening (WxDxH):
1052mm x 663mm x 1807mm



Fridge door flush with the kitchen cabinet

Side clearance must be 153mm either side of the fridge, to have the fridge doors sitting flush with the kitchen cabinetry.
Minimum cabinetry opening (WxDxH):
1215mm x 784mm x 1807mm



Please note: Top gap all 25mm.

French door fridge models:	Total width (W)	Total depth (D)	Max height (H)	Cabinet width (W1)	Cabinet depth (D1)	Depth door open (D2)
WQE6170BB	913	749	1782	908	625	1189

IMPORTANT

These dimensions are a guide only. All measurements are in millimetres (mm). For complete installation instructions, refer to the manual provided with product.

and Westinghouse are trademarks of Westinghouse Electric Corporation. All Rights Reserved. © 2023 Electrolux Home Products Pty Ltd. WHS_DIM_WQE6170BB_Dec23