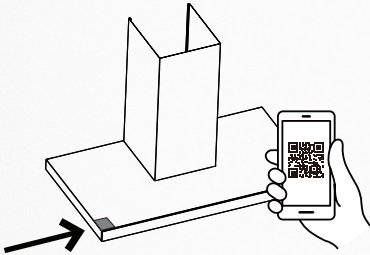


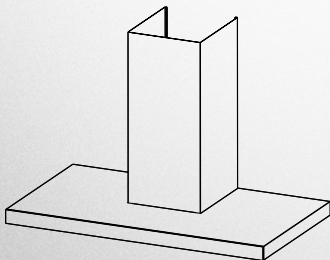
**Enjoy peace of mind.  
Register your appliance today.**

Stay updated on better living services, safety notices and shop for accessories.

- 1. Open the camera app on your smartphone and point at the QR code to scan**  
Product Registration QR code is located on the front of your appliance.



- 2. Tap the notification or link to open the registration from**
- 3. Complete your details and enjoy peace of mind**



## **CANOPY RANGEHOOD**

WRC924SD

WRC924DSD

# CONGRATULATIONS

Dear Customer,

Congratulations and thank you for choosing our canopy rangehood. We are sure you will find your new rangehood a pleasure to use. Before you use your rangehood, we recommend that you read through the whole user manual, which provides the description of the rangehood and its function.

To avoid the risks that are always present when you use an electrical appliance it is important that the canopy rangehood is installed correctly and that you read the safety instructions carefully to avoid misuse and hazards. We recommend that you keep this instruction booklet for future reference and pass it on to any future owners. After unpacking the canopy rangehood please check it is not damaged. If in doubt, do not use the appliance but contact your local Electrolux Service Centre.

## Conditions of use

This appliance is intended to be used in household and similar applications such as:

- Staff kitchen areas in shops, offices and other working environments
- Farm houses
- By clients in hotels, motels and other residential type environments
- Bed and breakfast type environments
- Catering and similar non-retail applications

**Please ensure you read the instruction manual fully before you call for service, or a full service fee could be applicable.**

Record model and serial number here:

Model number:.....

Serial number:.....

PNC:.....

# CONTENTS

Safety instructions..... 3  
 Accessory list ..... 5  
 Installation ..... 6  
 Product description ..... 13  
 Daily use ..... 13  
 Care and cleaning ..... 16  
 Warranty..... 19

Please read the user manual carefully and store in a handy place for later reference.

The symbols you will see in this booklet have these meanings:

## WARNING

This symbol indicates information concerning your personal safety.

## CAUTION

This symbol indicates information on how to avoid damaging the appliance.

## IMPORTANT

This symbol indicates tips and information about use of the appliance.

## ENVIRONMENT

This symbol indicates tips and information about economical and ecological use of the appliance.

## IMPORTANT INFORMATION THAT MAY IMPACT YOUR MANUFACTURER'S WARRANTY

Adherence to the directions for use in this manual is extremely important for health and safety. Failure to strictly adhere to the requirements in this manual may result in personal injury, property damage and affect your ability to make a claim under the Westinghouse manufacturer's warranty provided with your product. Products must be used, installed and operated in accordance with this manual. You may not be able to claim on the Westinghouse manufacturer's warranty in the event that your product fault is due to failure to adhere this manual.

## SAFETY INSTRUCTIONS

This manual explains the proper use of your new Westinghouse canopy rangehood. Please read this manual carefully before using the product. This manual should be kept in a safe place for handy reference. This canopy rangehood is a domestic appliance which has been manufactured and tested to comply with Australian and New Zealand Standard AS/NZS 60335.1 and AS/NZS 60335.2.31.

### **IMPORTANT**

#### **Check for any damages or marks**

If you find the rangehood is damaged or marked, you must report it within 7 days if you wish to claim for damage/marks under the manufacturers warranty. This does not affect your statutory rights.

#### **Unpacking**

Check that the cooker hood has no damage. Transportation damage should immediately be reported to the company responsible for the transportation. Damage, faults and missing details should immediately be reported to the retailer. Take care of the packing materials so that small children cannot play with them.

### **ENVIRONMENT**

#### **Information on disposal for users**

- Most of the packing materials are recyclable. Please dispose of those materials through your local recycling depot or by placing them in appropriate collection containers.
- If you wish to discard this product, please contact your local authorities and ask for the correct method of disposal.
- The discharge of air must comply with local authorities regulation.

### **Warning**

- These warnings have been provided in the interest of safety. You **MUST** read them carefully before installing or using the appliance.
- The appliance must be plugged into its own dedicated 220-240v, 50Hz AC electrical outlet.
- This appliance can be used by children aged from 8 years and above and persons with reduced physical, sensory or mental capabilities or lack of experience and knowledge if they have been given supervision or instruction concerning the use of the appliance in a safe way and understand the hazards involved. Children shall not play with the appliance. Cleaning and user maintenance shall not be made by children without supervision.
- This canopy rangehood is not recommended for barbecues and cannot be installed for external use.
- The exhaust from the canopy rangehood must not be discharged into any heating flue, which may carry combustion products from other sources. (Fig 1)
- Exhaust air must not be discharged into a wall cavity, unless the cavity is designed for the purpose.
- There must be adequate ventilation of the room when the canopy rangehood is used at the same time as appliances burning gas or other fuels.
- Accessible part may become hot when used with cooking appliances.

- Always cover lit gas burners with pots or pans when canopy rangehood is in use.
- Always switch off gas burners before you remove pots or pans.
- Do not leave lit gas burners exposed due to the risk of fire.(Fig 2)
- The hood must always be disconnected from the electricity supply before beginning any maintenance work.
- Failure to install the screws or fixing device in accordance with these instructions may result in electrical hazards.

Fig. 1

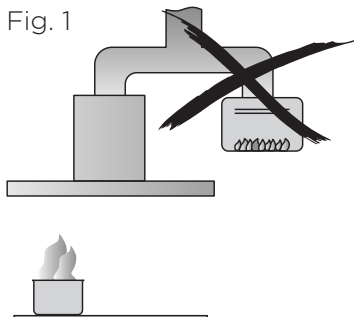
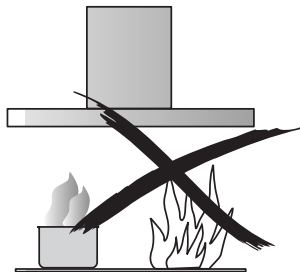


Fig. 2



### Electrical connection

Check that the mains voltage matches with the voltage on the data plate inside the canopy rangehood. Check that the installation complies with standards of local building, gas and electrical authorities. Before connecting to the mains supply ensure that the mains voltage corresponds to the voltage on the rating plate inside the cooker hood.

If the supply cord is damaged, it must be replaced by the manufacturer or its service agent or similarly qualified person in order to avoid a hazard.

### Safety warnings - for the installer

When installing the cooker hood, make sure you adhere to the minimum and maximum distances from the cooker hood base to the hob surface. (Refer to Installation manual).

Exhaust flue installation: The following rules must be strictly followed to obtain optimal air extraction.

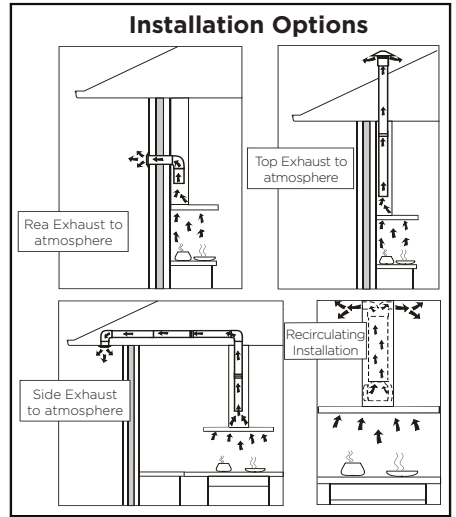
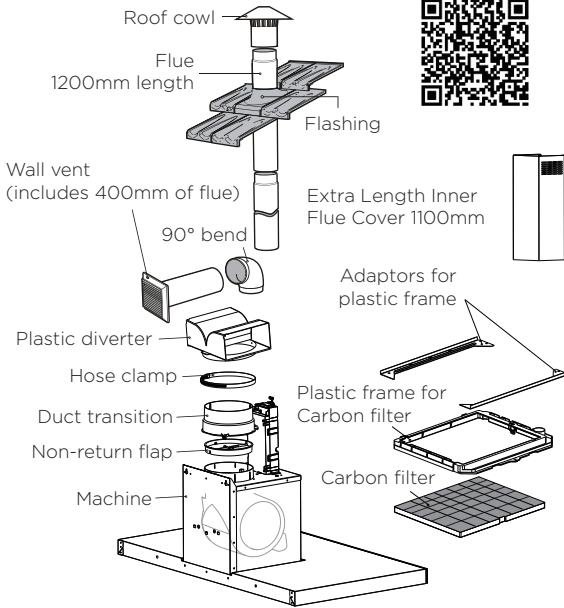
- Keep exhaust flue short and straight.
- Do not reduce the size or restrict exhaust flue. Keep bends in the exhaust flue to a minimum.
- When using semi-rigid flue always install duct with helix pulled taut to minimise pressure loss.
- Failure to observe these basic instructions will drastically reduce the performance and increase the noise levels of the cooker hood.

Exhaust air must not be discharged into a wall cavity, unless the cavity is designed for that purpose. The exhaust from the cooker hood must not be discharged into any heating flue, which may carry combustion products from other sources.

Range hoods and other cooking fume extractors may adversely affect the safe operation of appliances burning gas or other fuels (including those in other rooms) due to back flow of combustion gases. These gases can potentially result in carbon monoxide poisoning. After installation of a range hood or other cooking fume extractor, the operation of flued gas appliances should be tested by a competent person to ensure that back flow of combustion gases does not occur.

**NOTE:** Some installations may require the telescopic exhaust cover to be cut to length. Cut with sharp tin snips or a fine-tooth hack saw blade, taking care not to distort or dent the exhaust cover. Some additional accessories may be required for installation

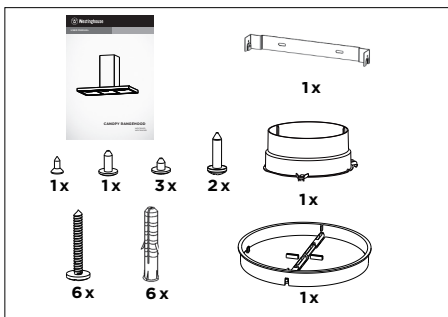
For more information on rangehood accessories scan the QR code below



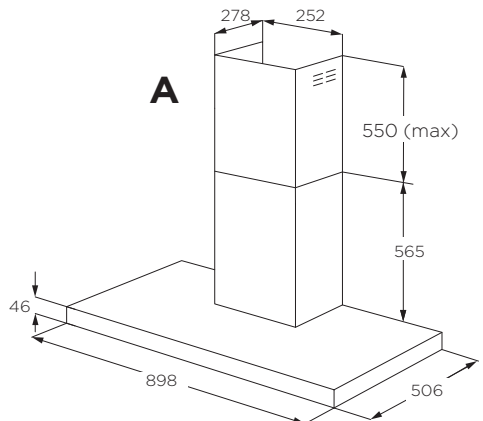
**Warning**

Failure to install the screws or fixing device in accordance these instructions may result in electrical hazards.

**ACCESSORY LIST**



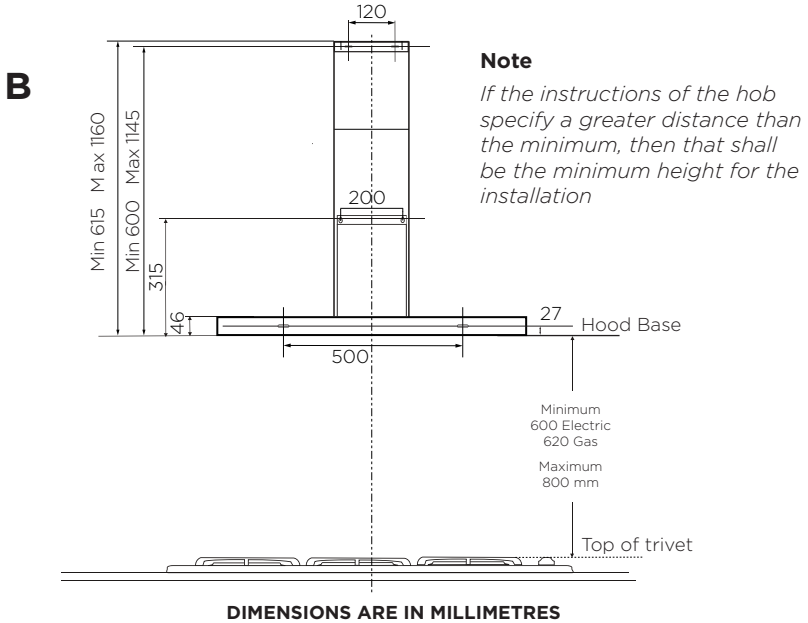
\*These accessories are supplied with product



## INSTALLATION

Before installing the cooker hood, peel off any protective plastic covering.

**DIMENSIONS ARE IN MILLIMETRES**



### Note

Some installation may require telescopic flue cut to length. Cut with tin snips or a fine-tooth hack saw blade, taking care not to distort or dent flue. All the holes on the wall are  $\text{Ø}6\text{mm}$ .

The height of the top of the pan supports (top of the trivets) of a gas cooking appliance with respect to the bench top (built in) or supporting surface (elevated) or the floor (freestanding) will be detailed in the gas cooking appliance instructions.

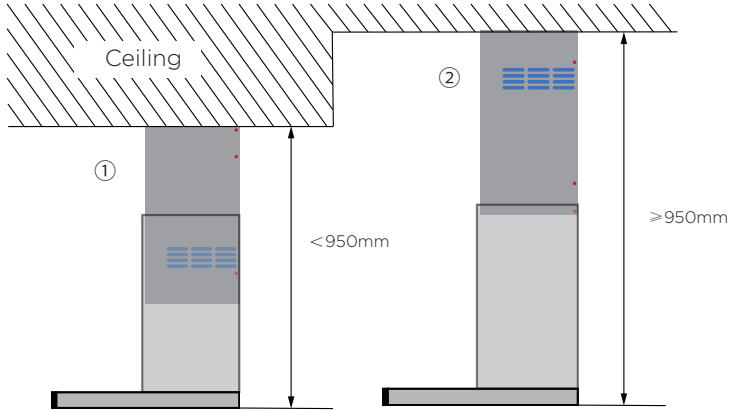
### Diagram B:

Recommended working heights. Flue mounting bracket locations. Telescopic flue cover fixing points.

## Recommended installation mode

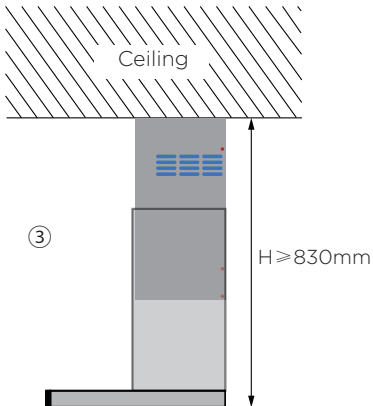
### For External exhaust mode installation

- Type ① is recommended when the distance from the ceiling to the bottom of the hood is  $< 950$  mm.
- Type ② is recommended when the distance from the ceiling to the bottom of the hood is  $\geq 950$  mm.



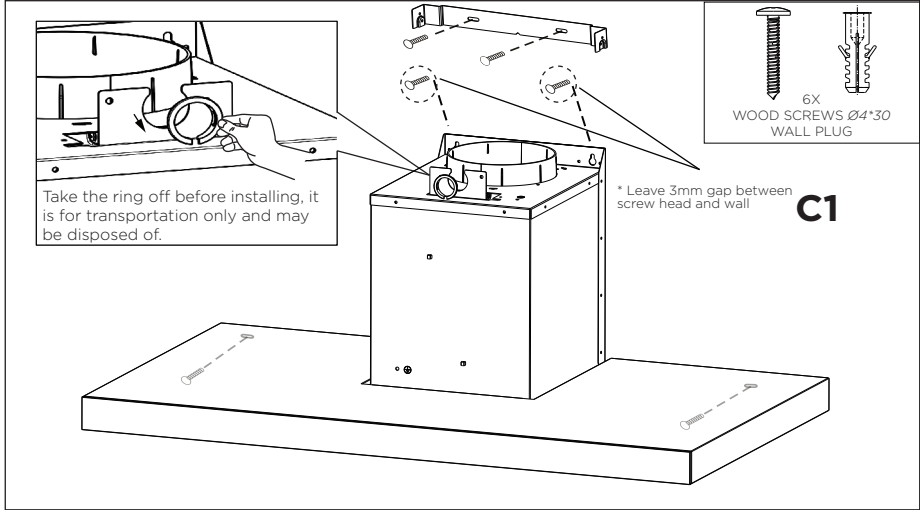
### For recirculation mode installation

The distance from the ceiling to the bottom of the hood is  $\geq 830$ mm, see image ③



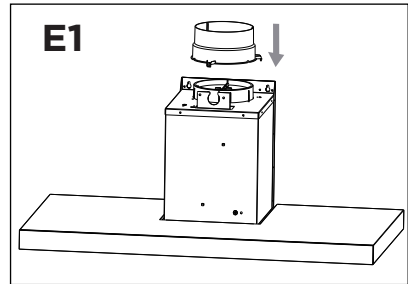
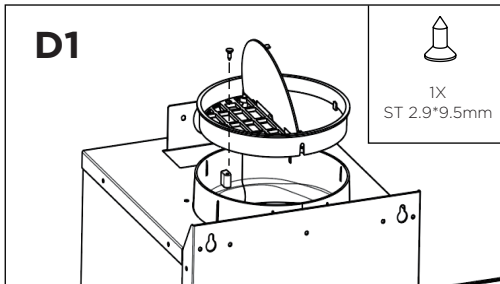
# Recommended installation sequence

## External exhaust mode installation



### Diagram C1

- Install cooker hood body. Determine working height, mark wall to suit. Install flue cover mounting brackets.
- Ensure the screws highlighted in "C1" have 3mm gap between screw head and wall, this will ensure sufficient space for body fitment.



### Diagram D1

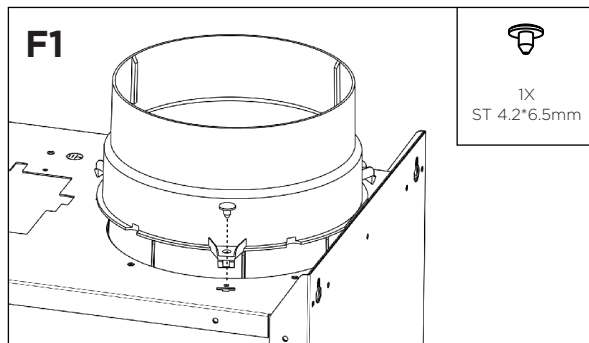
- Fit the non-return valve to the outlet of the range hood.
- Fasten the non-return valve with the screw supplied to ensure the non-return valve is securely fastened.

### Diagram E1

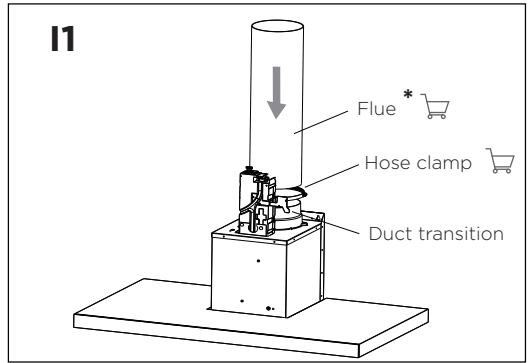
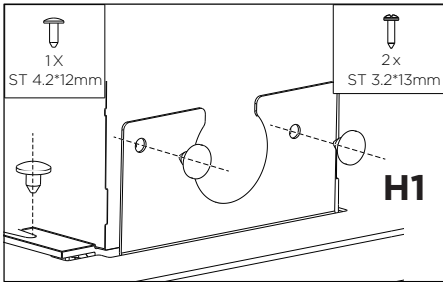
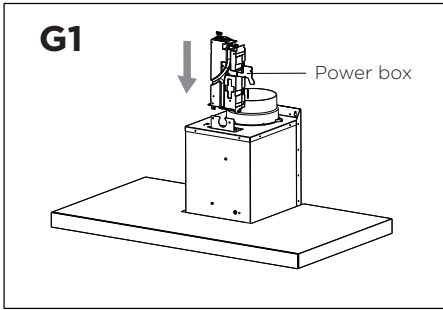
- Insert the three clips of Duct transition into product

### Diagram F1

- Fasten the Duct transition with the screw supplied to ensure the Duct transition is securely fastened.







**Diagram G1**

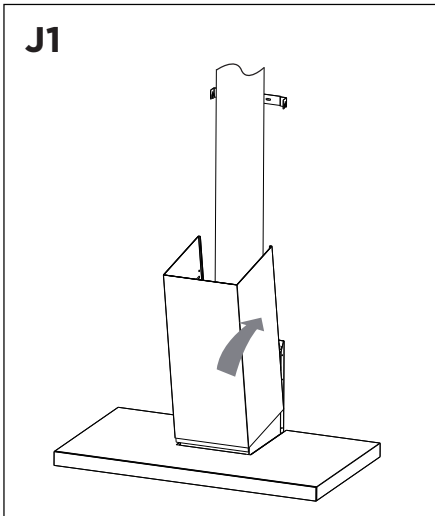
- Insert the clip of power box into product

**Diagram H1**

- Fasten the power box with the screws supplied to ensure the power box is securely fastened.

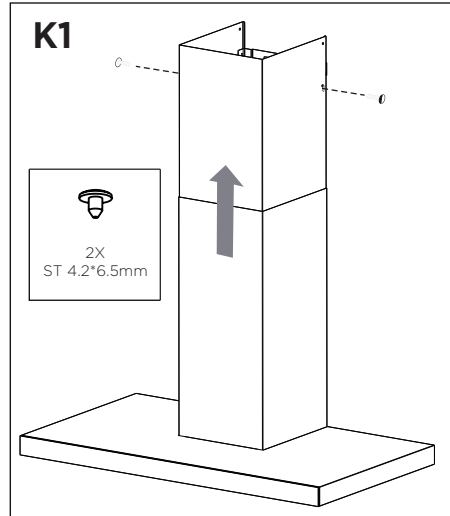
**Diagram I1**

- Loosen the hose clamp and put it outside of Duct transition
- Fit the flue over the outer wall of Duct transition
- Tighten the hose clamp with a screwdriver to secure to Duct transition.



**Diagram J1**

- Install bottom section of telescopic flue cover.



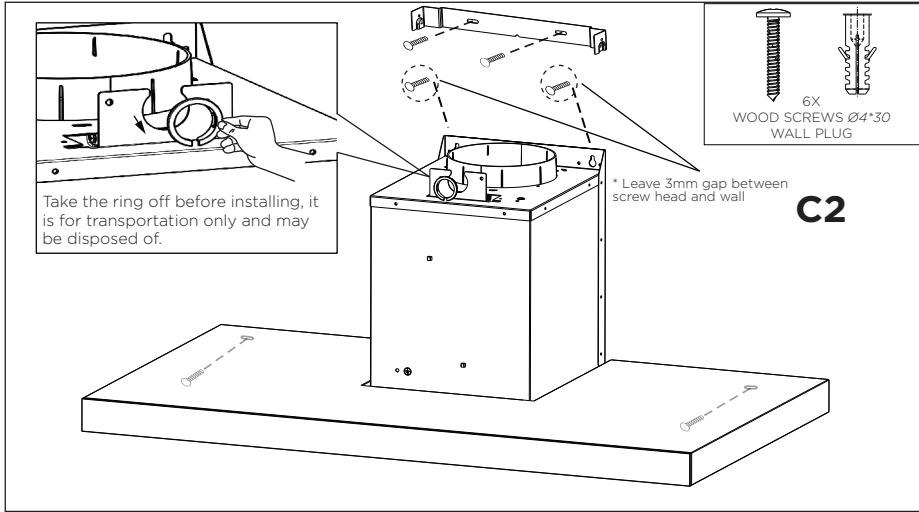
**Diagram K1**

- Install top section of telescopic flue cover and fasten the cover with supplied screws.

\*  : sourced locally

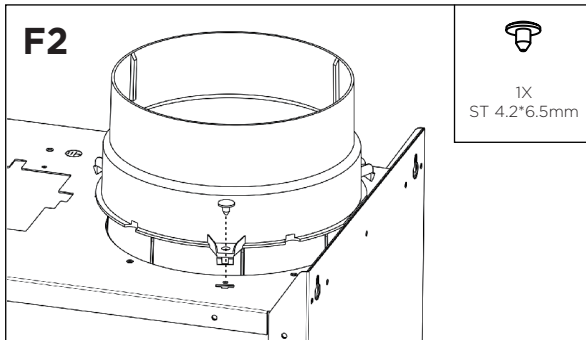
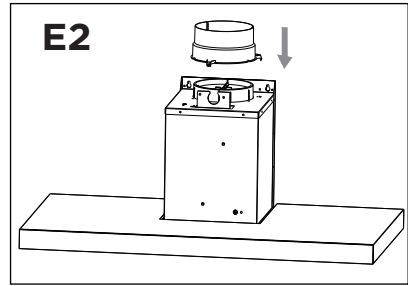
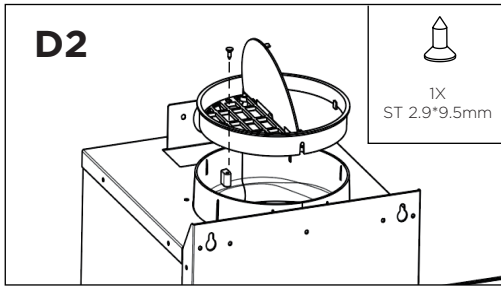
# Recommended installation sequence

## Recirculation mode installation



### Diagram C2

- Install cooker hood body. Determine working height, mark wall to suit. Install flue cover mounting brackets.
- Ensure the screws highlighted in "C2" have 3mm gap between screw head and wall, this will ensure sufficient space for body fitment.



### Diagram D2

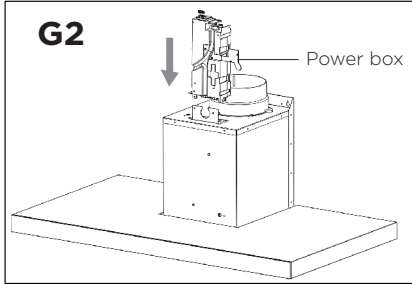
- Fit the non-return valve to the outlet of the range hood.
- Fasten the non-return valve with the screw supplied to ensure the non-return valve is securely fastened.

### Diagram E2

- Insert the three clips of Duct transition into product

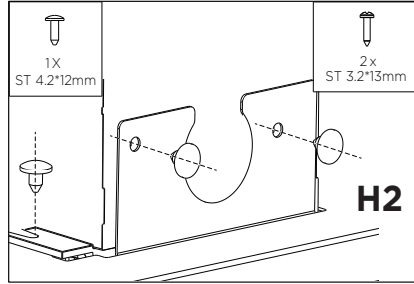
### Diagram F2

- Fasten the Duct transition with the screws supplied to ensure the Duct transition is securely fastened.



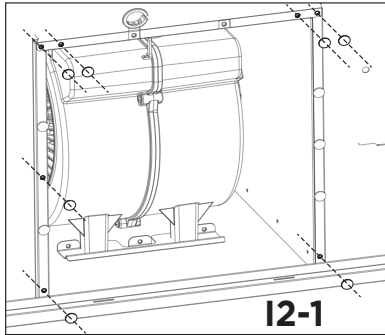
**Diagram G2**

- Insert the clip of power box into product



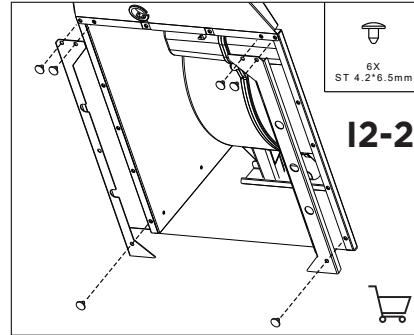
**Diagram H2**

- Fasten the power box with the screws supplied to ensure the power box is securely fastened



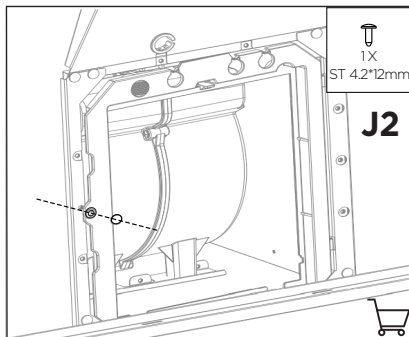
**Diagram I2-1**

- First loosen the seven screws shown in the figure.



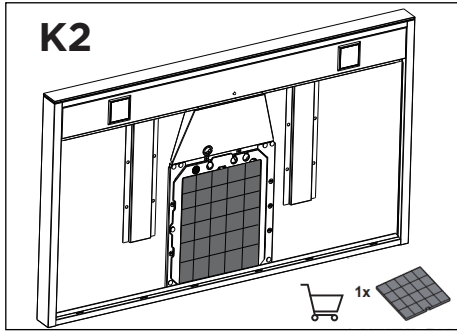
**Diagram I2-2**

- Fasten the adaptors for plastic frame with the screws supplied housing.



**Diagram J2**

- Fasten the plastic for Carbon filter with the screw supplied.

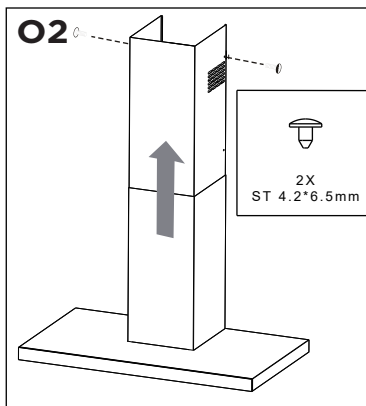
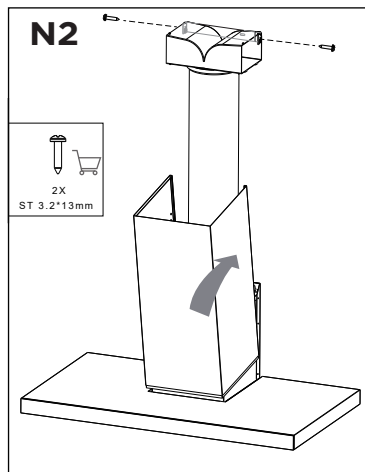
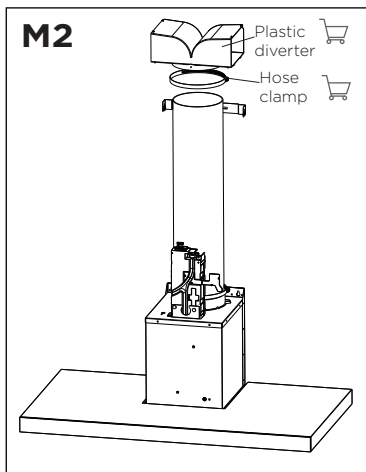
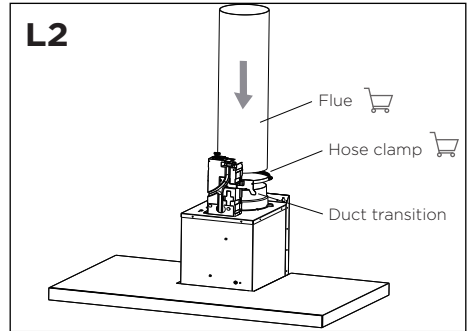


### Diagram K2

- Install Carbon filter

### Diagram L2

- Loosen the hose clamp and put it outside of Duct transition
- Fit the flue over the outer wall of Duct transition
- Tighten the hose clamp with a screwdriver to secure to Duct transition.



### Diagram M2

- Tightening the hose clamp with plastic diverter.

### Diagram N2

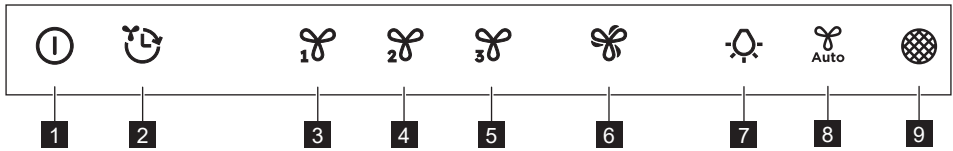
- Install bottom section of telescopic flue cover, tighten the plastic diverter and the bracket.

### Diagram O2

- Install top section of telescopic flue cover and fasten the cover with supplied screws.

## PRODUCT DESCRIPTION

### Control panel overview



- 1** On/Off
- 2** Delay Off
- 3** Fan Speed 1
- 4** Fan Speed 2
- 5** Fan Speed 3

- 6** PowerBoost
- 7** Light
- 8** Hob2Hood
- 9** Filter Notification

## DAILY USE

### Use the hood

Check the recommended speed according to the table below

	After cooking, The hood will continue to run next 5minutes before shutting down automatically to remove residual fumes or water vapour.
	While heating up food, cooking with covered pots, light frying, light boiling.
	While cooking with covered pots on multiple cooking zones or burners, frying, boiling.
	While boiling, frying big quantities of food without a lid, cooking on multiple cooking zones or burners, grilling, intensive frying, wok cooking.
	While boiling, frying large quantities of food without a lid and of high humidity, Suitable Fan Speed for cooking that generates high amount of cooking fumes. When operating at maximum speed, the hood will return to previous setting after 8 minutes.



It is recommended to leave the hood operating for approximately 15 minutes before cooking to kick-start airflow in the kitchen.



The control panel is a sensor field. Touch the symbols to activate the functions.

#### To operate the hood:

- 1. Turn on the appliance by pressing the ① symbol. The hood will turn on the light and the 'Fan Speed 2' automatically.**
- 2. To turn off the appliance press the ① symbol again.**

## Hob2Hood\* Auto

\* It is an automatic function which connects the hob with a hood. Both the hob and the hood have an infrared signal communicator. Speed of the fan is defined automatically on basis of mode setting and temperature of the hottest cookware on the hob. You can also operate the fan using the hob manually. The Hob to Hood function can be activated from the control panel of the hob.

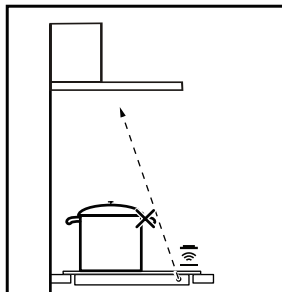
*\*For applicable models only.*



For more information how to use the function refer to the hob user manual.

### Hints and Tips for Hob2Hood function When you operate the hob with Hob2Hood function:

- **Protect the hood panel from direct sunlight.**
- **Do not spot halogen light on the hood panel.**
- **Do not cover the hob panel.**
- **Do not interrupt the signal between the hob and the hood (for example with a hand or a cookware handle).**






It may happen that other remote controlled appliances may block the signal. To avoid it do not operate the remote of the appliance and the hob at the same time.

To find the full range of rangehoods which work with this function refer to our consumer website. The rangehoods that work with this function must have


the symbol  Auto or 

## Activate and deactivate Delay Off


When activated, the  icon will start flashing and the hood will continue to run for the next five minutes before shutting down automatically.

To deactivate the Delay Off function, press on the flashing  or any of the Fan Speed icon or press the ON/OFF  and the Delay Off function will be turned off.


## Activate PowerBoost

When you press the symbol , the Maximum Motor Speed starts to operate for 8 minutes. After that time, the appliance returns to its previous speed settings.




When the function is turned on, additional touch on the symbol  does not have any effects.


## Activate and deactivate the Filter Notification

1. Switch on the control panel.
2. Make sure that the Fan Speed is turned off.
3. To activate or deactivate the Carbon filter press symbol "PowerBoost"  for 5 seconds.



When the Carbon Filter Notification is enabled, the filter icon  flashes (red) for a few seconds.




When the Carbon Filter Notification is disabled, the filter icon  lights up (red) for a few seconds.



Please do not enable "Carbon Filter Notification" when not using the hood in recirculation configuration.

## Filter Alarms

The filter alarm is a Notification to change the Carbon filter and clean the grease filter. The filter indicator  is turned on (red) for 30 seconds if the grease filter must be cleaned.

The filter indicator  flashes (red) for 30 seconds if the Carbon filter must be replaced.



Refer to filter alarm in "care and cleaning" chapter.

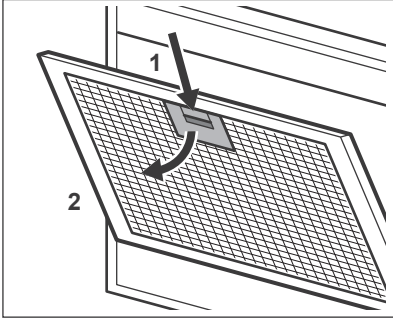
## CARE AND CLEANING

### Clean the grease filter

Each filter must be cleaned at least once a month. Filter are mounted with the use of clips and pins on the opposite side.

To clean the filter:

1. Press the handle of the mounting clip on the filter panel underneath the hood (1).



2. Slightly tilt the front of the filter downwards (2), then pull.

Repeat the first two steps for all filter.

3. Clean the filters using a sponge with nonabrasive detergents or in a dishwasher.



The dishwasher must be set to a low temperature and a short cycle. The grease filter may discolour, it has no influence on the performance of the appliance.

4. To mount the filters back follow the first two steps in reverse order.

Repeat the steps for all filters if applicable.

### Replace the Carbon filter



#### WARNING!

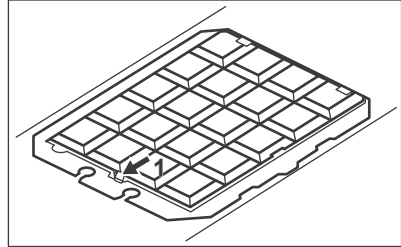
The Carbon filter is non-washable!

The time of saturation of the Carbon filter varies depending on th type of cooking and the regularity of cleaning the grease filter. Carbon filter cannot be cleaned or regenerated, it must be replaced.

1. Remove the grease filters from the appliance to access the Carbon filter.

Refer to “Cleaning the grease filter” in this chapter.

2. To remove the Carbon filter, press the tab (1) and slightly tilt the front of the filter.



3. To install a new filter, perform the same steps in reverse order.

Replace the Carbon filters at least every 4 months.

### Filter alarm Reset



Refer to activating and deactivating the filter alarm in daily use chapter.



Refer to cleaning the grease filter in this chapter.



Refer to replacing the Carbon filter (depends on filter type).

To reset the alarm:

Touch the  for 2 seconds.

### Replacing the light

This appliance is supplied with two LED lights. These parts can be replaced by a technician only. Replace with MAX 2.4w LED light. Suitable light for replacement:

Square LED 700mA MAX 2.4w 3V 3000K.

Size: 53mm x 53mm



## **Note**

*This product is fitted with a safety cutout device. The cutout device may activate if follow occurs;*

- *Hood installed too close to cooktop*
- *Flambe cooking*
- *Operation of the cooktop without utensils covering burners hot plates*
- *Blocked filters.*

*If the cooker hood stops during operation, correct the items noted above and allow time for safety cutout device to reset. Once the safety device has reset the cooker hood will then function.*





# Electrolux Warranty

FOR SALES IN AUSTRALIA AND NEW ZEALAND  
APPLIANCE: WESTINGHOUSE RANGEHOODS

**This document sets out the terms and conditions of the product warranties for Westinghouse Appliances. It is an important document. Please keep it with your proof of purchase documents in a safe place for future reference should there be a manufacturing defect in your Appliance. This warranty is in addition to other rights you may have under the Australian Consumer Law.**

## 1. In this warranty:

- (a) 'ACL' or 'Australian Consumer Law' means Schedule 2 to the Competition and Consumer Act 2010;
- (b) 'Appliance' means any Bectrolux product purchased by you and accompanied by this document;
- (c) 'ASC' means Electrolux authorised serviced centres;
- (d) 'Westinghouse' is the brand controlled by Electrolux Home Products Pty Ltd of 163 O'Riordan Street, Mascot NSW 2020, ABN 51 004 762 341 in respect of Appliances purchased in Australia and Electrolux (NZ) Limited (collectively "Electrolux") of 3-5 Niall Burgess Road, Mount Wellington, in respect of Appliances purchased in New Zealand;
- (e) 'Warranty Period' means the period specified in clause 3 of this warranty;
- (f) 'you' means the purchaser of the Appliance not having purchased the Appliance for re-sale, and 'your' has a corresponding meaning.

**2. Application:** This warranty only applies to new Appliances, purchased and used in Australia or New Zealand and is in addition to (and does not exclude, restrict, or modify in any way) other rights and remedies under a law to which the Appliances or services relate, including any non-excludable statutory guarantees in Australia and New Zealand.

**3. Warranty Period:** Subject to these terms and conditions, this warranty continues for in Australia for a period of 24 months and in New Zealand for a period of 24 months, following the date of original purchase of the Appliance.

**4. Repair or replace warranty:** During the Warranty Period, Electrolux or its ASC will, at no extra charge if your Appliance is readily accessible for service, without special equipment and subject to these terms and conditions, repair or replace any parts which it considers to be defective. Electrolux may, in its absolute discretion, choose whether the remedy offered for a valid warranty claim is repair or replacement. Bectrolux or its ASC may use refurbished parts to repair your Appliance. You agree that any replaced Appliances or parts become the property of Electrolux.

**5. Travel and transportation costs:** Subject to clause 7, Electrolux will bear the reasonable cost of transportation, travel and delivery of the Appliance to and from Electrolux or its ASC. Travel and transportation will be arranged by Electrolux as part of any valid warranty claim.

**6. Proof of purchase** is required before you can make a claim under this warranty.

**7. Exclusions:** You may not make a claim under this warranty unless the defect claimed is due to faulty or defective parts or workmanship. This warranty does not cover:

- (a) light globes, batteries, filters or similar perishable parts;
- (b) parts and Appliances not supplied by Electrolux;
- (c) cosmetic damage which does not affect the operation of the Appliance;
- (d) damage to the Appliance caused by:
  - (i) negligence or accident;
  - (ii) misuse or abuse, including failure to properly maintain or service;
  - (iii) improper, negligent or faulty servicing or repair works done by anyone other than an Electrolux authorised repairer or ASC;
  - (iv) normal wear and tear;
  - (v) power surges, electrical storm damage or incorrect power supply;
  - (vi) incomplete or improper installation;
  - (vii) incorrect, improper or inappropriate operation;
  - (viii) insect or vermin infestation;
  - (ix) failure to comply with any additional instructions supplied with the Appliance;

In addition, Electrolux is not liable under this warranty if:

- (a) the Appliance has been, or Electrolux reasonably believes that the Appliance has been, used for purposes other than those for which the Appliance was intended, including where the Appliance has been used for any non-domestic purpose;
- (b) the Appliance is modified without authority from Electrolux in writing;
- (c) the Appliance's serial number or warranty seal has been removed or defaced

**8. How to claim under this warranty:** To enquire about claiming under this warranty, please follow these steps:

- (a) carefully check the operating instructions, user manual and the terms of this warranty;
- (b) have the model and serial number of the Appliance available;
- (c) have the proof of purchase (e.g. an invoice) available;
- (d) telephone the numbers shown below.

**9. Australia:** For Appliances and services provided by Electrolux in Australia: Electrolux goods come with guarantees that cannot be excluded under the Australian Consumer Law. You are entitled to a replacement or refund for a major failure and for compensation for any other reasonably foreseeable loss or damage. You are also entitled to have the Appliance repaired or replaced if the Appliance fails to be of acceptable quality and the failure does not amount to a major failure. 'Acceptable quality' and 'major failure' have the same meaning as referred to in the ACL.

**10. New Zealand:** For Appliances and services provided by Electrolux in New Zealand, the Appliances come with a guarantee by Electrolux pursuant to the provisions of the Consumer Guarantees Act, the Sale of Goods Act and the Fair Trading Act. Where the Appliance was purchased in New Zealand for commercial purposes the Consumer Guarantee Act does not apply.

**11. Confidentiality:** You accept that if you make a warranty claim, Electrolux and its agents including ASC may exchange information in relation to you to enable Electrolux to meet its obligations under this warranty.

## Important Notice

Before calling for service, please ensure that the steps listed in clause 8 above have been followed.

<b>AUSTRALIA</b>	<b>FOR SERVICE</b> or to find the address of your nearest authorised service centre in Australia <b>PLEASE CALL 13 13 49</b> For the cost of a local call	<b>FOR SPARE PARTS</b> or to find the address of your nearest spare parts centre in Australia <b>PLEASE CALL 13 13 50</b> For the cost of a local call
<b>NEW ZEALAND</b>	<b>FOR SERVICE</b> or to find the address of your nearest authorised service centre in New Zealand <b>PLEASE CALL 0800 10 66 10</b>	<b>FOR SPARE PARTS</b> or to find the address of your nearest spare parts centre in New Zealand <b>PLEASE CALL 0800 10 66 20</b>

**For more information on all Westinghouse appliances, or for dimension and installation information, call into your retailer, phone or email our customer care team or visit our website:**

**AUSTRALIA**

phone: 13 13 49

email: [customercare@electrolux.com.au](mailto:customercare@electrolux.com.au)


web: [westinghouse.com.au](http://westinghouse.com.au)

**NEW ZEALAND**

phone: 0800 10 66 10

email: [customercare@electrolux.co.nz](mailto:customercare@electrolux.co.nz)

web: [westinghouse.co.nz](http://westinghouse.co.nz)

 and WESTINGHOUSE are trademarks of Westinghouse Electric Corporation. Used under license by Electrolux Home Products Pty Ltd. All Rights Reserved.

© 2023 Electrolux Home Products Pty Ltd.  
ABN 51 004 762 341  
WMAN\_T-shape\_Nov2023  
ANC: 305466407\_B