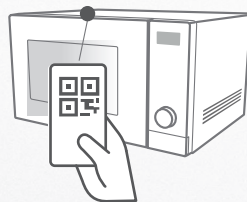


**Enjoy peace of mind.
Register your appliance today.**

Stay updated on better living services,
safety notices and shop for accessories.

- 1. Open the camera app
on your smartphone
and point at the QR
code to scan.**

Product Registration QR
code is located on the top
of your appliance.



- 2. Tap the notification or link to open the
registration form.**
- 3. Complete your details and enjoy peace
of mind.**

FREESTANDING MICROWAVE

WMF2905GA

CONGRATULATIONS

Dear Customer,

Congratulations and thank you for choosing our microwave. We are sure you will find it a pleasure to use. Before you use the microwave, we recommend that you read through the relevant sections of this manual, which provides a description of your appliance and its functions.

To avoid the risks that are always present when you use an appliance, it is important that the appliance is installed correctly and that you read the safety instructions carefully to avoid misuse and hazards.

We recommend that you keep this instruction booklet for future reference and pass it on to any future owners.

After unpacking the appliance, please check it is not damaged. If in doubt, do not use the appliance but contact your local customer care centre.

Conditions of use

This appliance is intended to be used in household and similar applications such as:

- Staff kitchen areas in shops, offices and working environments
- Farm houses
- By clients in hotels, motels and other residential type environments
- Bed and breakfast type environments
- Catering and similar non-retail applications

Please ensure you read the instruction manual fully before you call for service, or a full service fee could be applicable.

Record model and serial number here:

Model number:.....

Serial number:.....

PNC:.....

CONTENTS

Precautions to avoid possible exposure to excessive microwave energy	3
Important safety instructions	3
To reduce the risk of injury to persons grounding installation.....	4
Utensils.....	5
Names of oven parts and accessories	7
Control panel.....	8
Operation.....	8
Cleaning.....	10
Trouble shooting.....	11
Installation	12
Warranty.....	15

Please read the user manual carefully and store in a handy place for later reference.

The symbols you will see in this booklet have these meanings:



WARNING

This symbol indicates information concerning your personal safety.



CAUTION

This symbol indicates information on how to avoid damaging the appliance.



IMPORTANT

This symbol indicates tips and information about use of the appliance.



ENVIRONMENT

This symbol indicates tips and information about economical and ecological use of the appliance.

IMPORTANT INFORMATION THAT MAY IMPACT YOUR MANUFACTURER'S WARRANTY

Adherence to the directions for use in this manual is extremely important for health and safety. Failure to strictly adhere to the requirements in this manual may result in personal injury, property damage and affect your ability to make a claim under the Westinghouse manufacturer's warranty provided with your product. Products must be used, installed and operated in accordance with this manual. You may not be able to claim on the Westinghouse manufacturer's warranty in the event that your product fault is due to failure to adhere this manual.

PRECAUTIONS TO AVOID POSSIBLE EXPOSURE TO EXCESSIVE MICROWAVE ENERGY

- (a) Do not attempt to operate this oven with the door open since this can result in harmful exposure to microwave energy. It is important not to break or tamper with the safety interlocks.
- (b) Do not place any object between the oven front face and the door or allow soil or cleaner residue to accumulate on sealing surfaces.
- (c) **WARNING:** If the door or door seals are damaged, the oven must not be operated until it has been repaired by a competent person.

ADDENDUM

If the apparatus is not maintained in a good state of cleanliness, its surface could be degraded and affect the lifespan of the apparatus and lead to a dangerous situation.

IMPORTANT SAFETY INSTRUCTIONS



WARNING

To reduce the risk of fire, electric shock, injury to persons or exposure to excessive microwave oven energy when using your appliance, follow basic precautions, including the following:

- Read and follow the specific: "PRECAUTIONS TO AVOID POSSIBLE EXPOSURE TO EXCESSIVE MICROWAVE ENERGY".
- This appliance is not intended for use by persons (including children) with reduced physical, sensory or mental capabilities, or lack of experience and knowledge, unless they have been given supervision or instruction concerning use of the appliance by a person responsible for their safety.
- Children should be supervised to ensure that they do not play with the appliance.
- If the supply cord is damaged, it must be replaced by the manufacturer, its service agent or similarly qualified persons in order to avoid a hazard.
- **WARNING:** Ensure that the appliance is switched off before replacing the lamp to avoid the possibility of electric shock.
- **WARNING:** It is hazardous for anyone other than a competent person to carry out any service or repair operation that involves the removal of a cover which gives protection against exposure to microwave energy.
- **WARNING:** Liquids and other foods must not be heated in sealed containers since they are liable to explode.
- When heating food in plastic or paper containers, monitor the oven due to possibility of ignition.
- Only use utensils that are suitable for use in microwave ovens.
- If smoke is emitted, switch off or unplug the appliance and keep the door closed in order to stifle any flames.
- Microwave heating of beverages can result in delayed eruptive boiling, therefore care must be taken when handling the container.
- The contents of feeding bottles and baby food jars shall be stirred or shaken and the temperature checked before consumption, in order to avoid burns.
- Eggs in their shell and whole hard-boiled eggs should not be heated in microwave ovens since they may explode, even after microwave heating has ended.
- The oven should be cleaned regularly and any food deposits removed.
- Failure to maintain the oven in a clean condition could lead to deterioration of the surface that could adversely affect the life of the appliance and possibly result in a hazardous situation.
- The appliance must not be installed behind a decorative door in order to avoid overheating. (This is not applicable for appliances with decorative door.)
- Only use the temperature probe recommended for this oven. (for ovens provided with a facility to use a temperature-sensing probe.)
- This microwave shall not be placed in a cabinet, it is designed for bench top operation.
- The microwave oven must be operated with the decorative door open. (for ovens with a decorative door.)
- This appliance is intended to be used in household and similar applications such as:
 - staff kitchen areas in shops, offices and other working environments;
 - by clients in hotels, motels and other residential type environments;
 - farm houses;
 - bed and breakfast type environments.
- The microwave oven is intended for heating food and beverages. Drying of food or clothing and heating of warming pads, slippers, sponges, damp cloth and similar may lead to risk of injury, ignition or fire.
- Metallic containers for food and beverages are not allowed during microwave cooking.
- The appliance shall not be cleaned with a steam cleaner.
- The appliance is intended to be used freestanding.
- The rear surface of appliances shall be placed against a wall.

READ CAREFULLY AND KEEP FOR FUTURE REFERENCE

TO REDUCE THE RISK OF INJURY TO PERSONS GROUNDING INSTALLATION

DANGER

Electric Shock Hazard

Touching some of the internal components can cause serious personal injury or death. Do not disassemble this appliance.



WARNING

Electric Shock Hazard

Improper use of the grounding can result in electric shock. Do not plug into an outlet until appliance is properly installed and grounded.

This appliance must be grounded. In the event of an electrical short circuit, grounding reduces the risk of electric shock by providing an escape wire for the electric current. This appliance is equipped with a cord having a grounding wire with a grounding plug. The plug must be plugged into an outlet that is properly installed and grounded.

Consult a qualified electrician or serviceman if the grounding instructions are not completely understood or if doubt exists as to whether the appliance is properly grounded. If it is necessary to use an extension cord, use only a 3-wire extension cord.

1. A short power-supply cord is provided to reduce the risks resulting from becoming entangled in or tripping over a longer cord.
2. If a long cord set or extension cord is used:
 - a. The marked electrical rating of the cord set or extension cord should be at least as great as the electrical rating of the appliance.
 - b. The extension cord must be a grounding-type 3-wire cord.
 - c. The long cord should be arranged so that it will not drape over the counter top or tabletop where it can be pulled on by children or tripped over unintentionally.

Specifications

Model	WMF2905GA
Rated Voltage	230-240 V- 50 Hz
Microwave Input	1300 W
Microwave Output	900 W

UTENSILS



CAUTION

Personal Injury Hazard. It is hazardous for anyone other than a competent person to carry out any service or repair operation that involves the removal of a cover which gives protection against exposure to microwave energy.

See the instructions on "Materials you can use in microwave oven or to be avoided in microwave oven." There may be certain non-metallic utensils that are not safe to use for microwaving. If in doubt, you can test the utensil in question following the procedure below.

Utensil Test:

1. Fill a microwave-safe container with 1 cup of cold water (250ml) along with the utensil in question.
2. Cook on maximum power for 1 minute.
3. Carefully feel the utensil. If the empty utensil is warm, do not use it for microwave cooking.
4. Do not exceed 1 minute cooking time.

Materials you can use in microwave oven

UTENSILS	REMARKS
Browning dish	Follow manufacturer's instructions. The bottom of browning dish must be at least 3/16 inch (5mm) above the turntable. Incorrect usage may cause the turntable to break.
Dinnerware	Microwave-safe only. Follow manufacturer's instructions. Do not use cracked or chipped dishes.
Glass jars	Always remove lid. Use only to heat food until just warm. Most glass jars are not heat resistant and may break.
Glassware	Heat-resistant oven glassware only. Make sure there is no metallic trim. Do not use cracked or chipped dishes.
Oven cooking bags	Follow manufacturer's instructions. Do not close with metal tie. Make slits to allow steam to escape.
Paper plates and cups	Use for short-term cooking/warming only. Do not leave oven unattended while cooking.
Paper towels	Use to cover food for reheating and absorbing fat. Use with supervision for a short-term cooking only.
Plastic	Microwave-safe only. Follow the manufacturer's instructions. Should be labeled "Microwave Safe". Some plastic containers soften, as the food inside gets hot. "Boiling bags" and tightly closed plastic bags should be slit, pierced or vented as directed by package.
Plastic wrap	Microwave-safe only. Use to cover food during cooking to retain moisture. Do not allow plastic wrap to touch food.
Thermometers	Microwave-safe only (meat and candy thermometers).
Wax paper	Use as a cover to prevent splattering and retain moisture. Do not leave unattended while cooking."

Materials to be avoided in microwave oven

UTENSILS	REMARKS
Aluminum tray	May cause arcing. Transfer food into microwave-safe dish.
Food carton with metal handle	May cause arcing. Transfer food into microwave-safe dish.
Metal or metal-trimmed utensils	Metal shields the food from microwave energy. Metal trim may cause arcing.
Metal twist ties	May cause arcing and could cause a fire in the oven.
Paper bags	May cause a fire in the oven.
Plastic foam	Plastic foam may melt or contaminate the liquid inside when exposed to high temperature.
Wood	Wood will dry out when used in the microwave oven and may split or crack.



WARNING

Refer to the safety chapters

Initial cleaning

- Remove all parts from the appliance.
- Clean the appliance before first use.

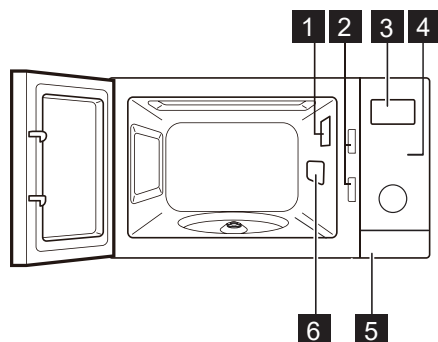


WARNING

Refer to chapter "Cleaning".

NAMES OF OVEN PARTS AND ACCESSORIES

General overview

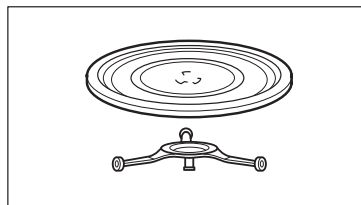


- 1** Lamp
- 2** Safety interlock system
- 3** Display
- 4** Control Panel
- 5** Door opener
- 6** Waveguide cover

Accessories

Turntable set

- i** Always use the turntable set to prepare food in the microwave.



Glass cooking tray and turntable support.

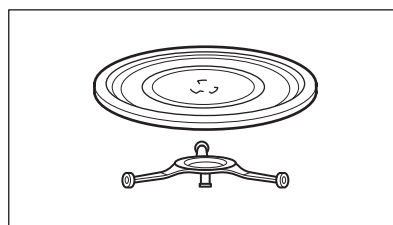
Using the accessories

Inserting the turntable set

- !** **CAUTION!** Do not cook food without the turntable set. Use only the turntable set provided with the microwave.

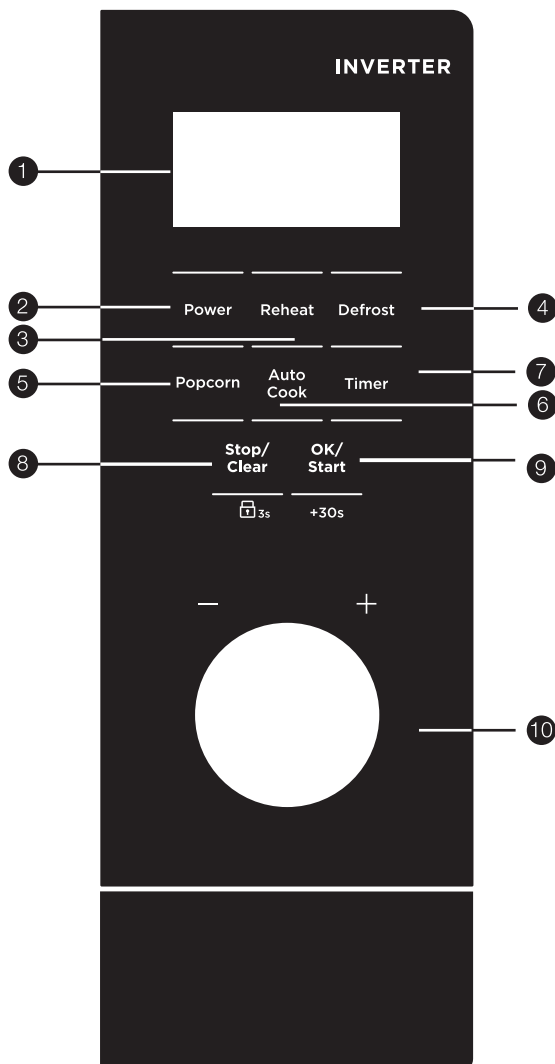
- i** Never cook food directly on the glass cooking tray.

- Place the glass cooking tray on the turntable support.



CONTROL PANEL

WMF2905GA



- ① Display
- ② Power
- ③ Reheat
- ④ Defrost
- ⑤ Popcorn
- ⑥ Auto Cook
- ⑦ Timer
- ⑧ Stop/Clear
- ⑨ OK/Start
- ⑩ Knob

OPERATION

Setting the clock

1. Press "**Timer**" twice and then "0:00" will display.
2. Turn the knob to set the hour figures. The time should be within 0-23.
3. Press "**Timer**" to confirm.
4. Turn the knob to set the minute figures. The time should be within 0-59.
5. Press "**Timer**" to confirm.

Notes

- If you do not press "**Timer**" to confirm or if there is no operation within 5 minute after step 4, the setting is invalid.
- To reset the clock, please repeat step 1 to step 5.
- If the clock is not set, it displays 00:00.
- The clock display dims after 3 minutes.

Setting the kitchen timer

1. Press "**Timer**" once and then "0:00" will display.
2. Turn the knob to set the desired time. The maximum value is 95:00.
3. Press "**OK/Start**" to confirm. The timer starts counting down.

Notes:

- There are not any other programs during it.
- Opening the oven door during operation does not affect timer working. Press "**Stop/Clear**/ 3s" during operation will interrupt the current mode.

Microwave cooking

10 power levels are available.

Power	900W	800W	700W	650W	550W	450W	350W	250W	180W	90W

1. Press "**Power**" once and then "900W" will display.
2. Press "**Power**" repeatedly to set the power level.
3. Press "**OK/Start**" to confirm.
4. Turn the knob to adjust the cooking time. The maximum value is 95:00.
5. Press "**OK/Start**" to start cooking.

Notes:

- During microwave cooking, time can be adding by pressing "**OK/Start**" button.

Reheat

1. Press "**Reheat**" once and then "650W" will display.
2. Turn the knob to set the desired time. The maximum value is 95:00.
3. Press "**OK/Start**" to start cooking.

Note: The default power level is 650W.

OPERATION (CONTINUED)

Popcorn

1. Press “ **Popcorn** ” once and then “ 50g ” will display.
2. Turn the knob to set the desired weight.
3. Press “ **OK/Start** ” to start cooking.

Defrost by weight

1. Press “ **Defrost** ” once and then the screen will display “dEF1”.
2. Turn the knob to set the desired defrost weight. The range of weight is 100-2000g.
3. Press “ **OK/Start** ” to start defrosting.

Notes: During defrosting, the buzzer will sound twice to remind of turning over the food.

Defrost by time

1. Press “ **Defrost** ” twice and then the screen will display “dEF2”.
2. Turn the knob to set the desired defrost time. The maximum value is 95:00.
3. Press “ **OK/Start** ” to start defrosting.

Notes:

- *The default power level is 250W, it can't be changed.*
- *The buzzer will sound to remind of turning over the food when half of the defrosting has passed.*
- *During time defrost, time can be adding by pressing “ **OK/Start** ” button.*

Multi-stage cooking

Notes:

- *Two cooking stages can be set in multi-stage cooking.*
- *If you set defrost function, it will work automatically in the first stage.*
- *Kitchen Timer, Auto menu and speedy cooking can't be set as one of the multi-stage.*

Example: defrost food for 500g and then cook with 800W microwave power for 7 minutes.

- Press “ **Defrost** ” once and then the screen will display “dEF1”.
- Turn the knob to set the desired defrost weight of 500g.
- Press “ **Power** ” and then “900W” will display.
- Turn the knob to set the power level of 800W.
- Press “ **OK/Start** ” to confirm the power level and then turn the knob to set the cooking time of 7 minutes.
- Press “ **OK/Start** ” to start cooking.

Speedy cooking


In waiting state, press “ **OK/Start** ” to start cooking with 900W power level for 30 seconds directly.

In waiting state, turn the knob left to set the cook with 900W power level for 95 minutes. Turn the knob to reset the cooking time, then press “ **OK/Start** ” to start cooking.

In waiting state, turn the knob right to set the cook with 900W power level for 5 seconds. Turn the knob to reset the cooking time, then press “ **OK/Start** ” to start cooking.


Lock function for children

You can use this function to prevent children from accidentally turning the oven on. To activate the lock:

In standby mode or during clock, press and hold “ **Stop/Clear/** **3s** ” for three seconds.


A long beep sounds and the locked icon will display.

To deactivate the lock:

In locked state, press and hold “ **Stop/Clear/** **3s** ” for three seconds. A long beep sounds. The oven return to the standby mode.

Standby function

To enter Standby mode:

In standby mode, press “ **Stop/Clear/** **3s** ” once. The screen will light off. In standby mode, the oven will enter Standby mode without any operations after 3 minutes, the screen will turn off.

To cancel Standby mode:

In standby mode, press any key to cancel it.

Inquiring function

If the clock has been set, the current time will display for 3 seconds by pressing “ **Timer** ” in the cooking state.

Auto menu

1. Press “ **Auto Cook** ” once and the “A-01” will display.
2. Turn the knob to choose the menu you need. 9 auto menus are available.
3. Press “ **OK/Start** ” to confirm.
4. Turn the knob to set the weight of food.
5. Press “ **OK/Start** ” to start cooking.

OPERATION (CONTINUED)

Auto menu chart

DISPLAY SCREEN	MENU	WEIGHT/ SERVINGS	DISPLAY	POWER	TIME
A-01	Frozen Pizza	100g	100g	700W	1'50"
		200g	200g	700W	3'20"
		300g	300g	700W	4'40"
		400g	400g	700W	6'00"
A-02	Beverage/ Milk/ Coffee	1 cup (120ml)	1	900W	1'00"
		2 cup (240ml)	2	900W	1'50"
		3 cup (360ml)	3	900W	2'40"
A-03	Pasta	50g (water 450g)	50g	700W	18'00"
		150g (water 1200g)	150g	700W	22'00"
		200g(water 1500g)	200g	700W	25'00"
A-04	Rice	200g	200g	900W/450W	4'30"/15'00"
		300g	300g	900W/450W	7'00"/15'00"
		400g	400g	900W/450W	9'00"/15'00"
		500g	500g	900W/450W	11'00"/15'00"
A-05	Potato	1/230g	1	900W	5'30"
		2	2	900W	9'00"
		3	3	900W	13'00"
		4	4	900W	17'00"
A-06	Fresh Vegetable	200g	200g	900W	3'00"
		300g	300g	900W	4'00"
		400g	400g	900W	5'00"
A-07	Frozen Vegetable	200g	200g	900W	4'30"
		300g	300g	900W	6'00"
		400g	400g	900W	7'00"
A-08	Fish	250g	250g	700W	5'00"
		350g	350g	700W	6'30"
		450g	450g	700W	8'00"
A-09	Chicken	250g	250g	700W	5'00"
		350g	350g	700W	7'30"
		450g	450g	700W	9'00"

CLEANING

Be sure to unplug the appliance from the power supply.

1. Clean the cavity of the oven after using with a slightly damp cloth.
2. Clean the accessories with soapy water.
3. The door frame and seal and neighbouring parts must be cleaned carefully with a damp cloth when they are dirty.
4. Do not use harsh abrasive cleaners or sharp metal scrapers to clean the oven door glass since they can scratch the surface, which may result in shattering of the glass.
5. Cleaning Tip---For easier cleaning of the cavity walls that the food cooked can touch: Place half a lemon in a bowl, add 300ml (1/2 pint) water and heat on 100% microwave power for 10 minutes. Wipe the oven clean using a soft, dry cloth.
6. The accessible surface may be hot during operation.

TROUBLE SHOOTING

NORMAL		
Microwave oven interfering TV reception	Radio and TV reception may be interfered when microwave oven operating. It is similar to the interference of small electrical appliances, like mixer, vacuum cleaner, and electric fan. It is normal.	
Dim oven light	In low power microwave cooking, oven light may become dim. It is normal.	
Steam accumulating on door, hot air out of vents	In cooking steam may come out of the food. Most steam will escape form vents, some steam may accumulate on cooler surfaces like the oven door. This is normal.	
Oven started accidentally with no food in.	Do not run the unit without any food inside. It is very dangerous.	
TRUBLE	POSSIBLE CAUSE	REMEDY
Oven cannot be started.	(1) Power cord is not plugged in tightly.	Unplug. Then plug again after 10 seconds.
	(2) Fuse blowing or circuit breaker trips.	Replace fuse or reset circuit breaker (repaired by professional personnel of our company)
	(3) Trouble with the electrical outlet.	Test outlet with other electrical appliances.
Oven does not heat.	(4) Door is not closed properly.	Close door properly.



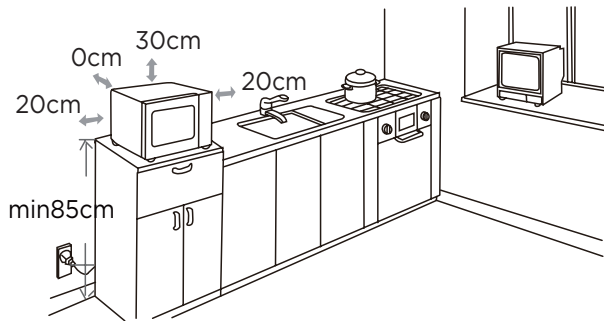
According to Waste of Electrical and Electronic Equipment (WEEE) directive, WEEE should be separately collected and treated. If at any time in future you need to dispose of this product please do NOT dispose of this product with household waste. Please send this product to the appropriate electrical and electronic waste collection points where available.

Countertop installation

Remove all packing material and accessories. Examine the oven for any damage such as dents or broken door. Do not install if oven is damaged. Cabinet: Remove any protective film found on the microwave oven cabinet surface. Do not remove the light brown Mica cover that is attached to the oven cavity to protect the magnetron..

INSTALLATION

1. Select a level surface that provide enough open space for the intake and/or outlet vents.



- a. The minimum installation height is 85cm.
- b. The rear surface of appliance shall be placed against a wall. Leave a minimum clearance of 30cm above the oven. A minimum clearance of 20cm is required between the oven and any adjacent walls.
- c. Do not remove the legs from the bottom of the oven.
- d. Blocking the intake and/or outlet openings can damage the oven.
- e. Place the oven as far away from radios and TV as possible. Operation of microwave oven may cause interference to your radio or TV reception.

2. Plug your oven into a standard household outlet. Be sure the voltage and the frequency is the same as the voltage and the frequency on the rating label.



WARNING:

Do not install oven over a range cooktop or other heat-producing appliance. If installed near or over a heat source, the oven could be damaged and the warranty would be void.

The accessible surface may be hot during operation.



This document sets out the terms and conditions of the product warranties for Westinghouse Appliances. It is an important document. Please keep it with your proof of purchase documents in a safe place for future reference should there be a manufacturing defect in your Appliance. This warranty is in addition to other rights you may have under the Australian Consumer Law.

1. In this warranty:

- (a) 'ACL' or 'Australian Consumer Law' means Schedule 2 to the Competition and Consumer Act 2010;
- (b) 'Appliance' means any Electrolux product purchased by you and accompanied by this document;
- (c) 'ASC' means Electrolux's authorised serviced centres;
- (d) 'Westinghouse' is the brand controlled by Electrolux Home Products Pty Ltd of 163 O'Riordan Street, Mascot NSW 2020, ABN 51 004 762 341 in respect of Appliances purchased in Australia and Electrolux (NZ) Limited (collectively "Electrolux") of 3-5 Niall Burgess Road, Mount Wellington, in respect of Appliances purchased in New Zealand;
- (e) 'Warranty Period' means the period specified in clause 3 of this warranty;
- (f) 'you' means the purchaser of the Appliance not having purchased the Appliance for re-sale, and 'your' has a corresponding meaning.

2. Application: This warranty only applies to new Appliances, purchased and used in Australia or New Zealand and is in addition to (and does not exclude, restrict, or modify in any way) other rights and remedies under a law to which the Appliances or services relate, including any non-excludable statutory guarantees in Australia and New Zealand.

3. Warranty Period: Subject to these terms and conditions, this warranty continues for in Australia for a period of 12 months and in New Zealand for a period of 12 months, following the date of original purchase of the Appliance.

4. Repair or replace warranty: During the Warranty Period Electrolux or its ASC will not service the Appliance. If the Appliance is defective, you should return the Appliance to the place of purchase for a replacement. You agree that any replaced Appliances or parts become the property of Electrolux.

5. Travel and transportation costs: Subject to clause 7, Electrolux will bear the reasonable cost of transportation, travel and delivery of the Appliance to and from Electrolux or its ASC. Travel and transportation will be arranged by Electrolux as part of any valid warranty claim.

6. Proof of purchase is required before you can make a claim under this warranty.

7. Exclusions: You may not make a claim under this warranty unless the defect claimed is due to faulty or defective parts or workmanship. This warranty does not cover:

- (a) light globes, batteries, filters or similar perishable parts;
- (b) parts and Appliances not supplied by Electrolux;
- (c) cosmetic damage which does not affect the operation of the Appliance;
- (d) damage to the Appliance caused by:
 - (i) negligence or accident;

- (ii) misuse or abuse, including failure to properly maintain or service;
- (iii) improper, negligent or faulty servicing or repair works done by anyone other than an Electrolux authorised repairer or ASC;
- (iv) normal wear and tear;
- (v) power surges, electrical storm damage or incorrect power supply;
- (vi) incomplete or improper installation;
- (vii) incorrect, improper or inappropriate operation;
- (viii) insect or vermin infestation;
- (ix) failure to comply with any additional instructions supplied with the Appliance;

In addition, Electrolux is not liable under this warranty if:

- (a) the Appliance has been, or Electrolux reasonably believes that the Appliance has been, used for purposes other than those for which the Appliance was intended, including where the Appliance has been used for any non-domestic purpose;
- (b) the Appliance is modified without authority from Electrolux in writing;
- (c) the Appliance's serial number or warranty seal has been removed or defaced.

8. How to claim under this warranty: To enquire about claiming under this warranty, please follow these steps:

- (a) carefully check the operating instructions, user manual and the terms of this warranty;
- (b) have the model and serial number of the Appliance available;
- (c) have the proof of purchase (e.g. an invoice) available;
- (d) telephone the numbers shown below.

9. Australia: For Appliances and services provided by Electrolux in Australia: Electrolux goods come with guarantees that cannot be excluded under the Australian Consumer Law. You are entitled to a replacement or refund for a major failure and for compensation for any other reasonably foreseeable loss or damage. You are also entitled to have the Appliance repaired or replaced if the Appliance fails to be of acceptable quality and the failure does not amount to a major failure. 'Acceptable quality' and 'major failure' have the same meaning as referred to in the ACL.

10. New Zealand: For Appliances and services provided by Electrolux in New Zealand, the Appliances come with a guarantee by Electrolux pursuant to the provisions of the Consumer Guarantees Act, the Sale of Goods Act and the Fair Trading Act. Where the Appliance was purchased in New Zealand for commercial purposes the Consumer Guarantee Act does not apply.

11. Confidentiality: You accept that if you make a warranty claim, Electrolux and its agents including ASC may exchange information in relation to you to enable Electrolux to meet its obligations under this warranty.

Important Notice

Before calling for service, please ensure that the steps listed in clause 8 above have been followed.

<p>FOR SERVICE or to find the address of your nearest authorised service centre in Australia PLEASE CALL 13 13 49 For the cost of a local call (Australia only)</p>	<p>AUSTRALIA ELECTROLUX HOME PRODUCTS 163 O'Riordan Street, Mascot NSW 2020 electrolux.com.au</p>	<p>FOR SPARE PARTS or to find the address of your nearest spare parts centre in Australia PLEASE 13 13 50 For the cost of a local call (Australia only)</p>
<p>FOR SERVICE or to find the address of your nearest authorised service centre in New Zealand PLEASE CALL 0800 10 66 10 (New Zealand only)</p>	<p>NEW ZEALAND ELECTROLUX (NZ) Limited 3-5 Niall Burgess Road, Mount Wellington electrolux.co.nz</p>	<p>FOR SPARE PARTS or to find the address of your nearest spare parts centre in New Zealand PLEASE 0800 10 66 20 (New Zealand only)</p>

For more information on all Westinghouse appliances, or for dimension and installation information, call into your retailer, phone or email our customer care team or visit our website:

AUSTRALIA

phone: 1300 363 640

fax: 1800 350 067

email: customercare@electrolux.com.au

web: westinghouse.com.au

NEW ZEALAND

phone: 0800 436 245

fax: 0800 225 088

email: customercare@electrolux.co.nz

web: westinghouse.co.nz