

Quick Start Guide

WFEP9757

Dear Customer,

Thank you for purchasing a Westinghouse oven. You have chosen a product that comes from a history of durable and reliable products loved by many families. We look to help you make the most of your time at home, so you can spend your time doing what you really love, with the ones you love.

Welcome to Westinghouse.

Ready



This is a Quick Start Guide. Please refer to user manual online for detailed information and installation

To access your detailed user manual online, simply scan the QR code on your smart phone.

For more detailed information and installation guide refer to user manuals at westinghouse.com.au/manuals

Before you start, please make sure:

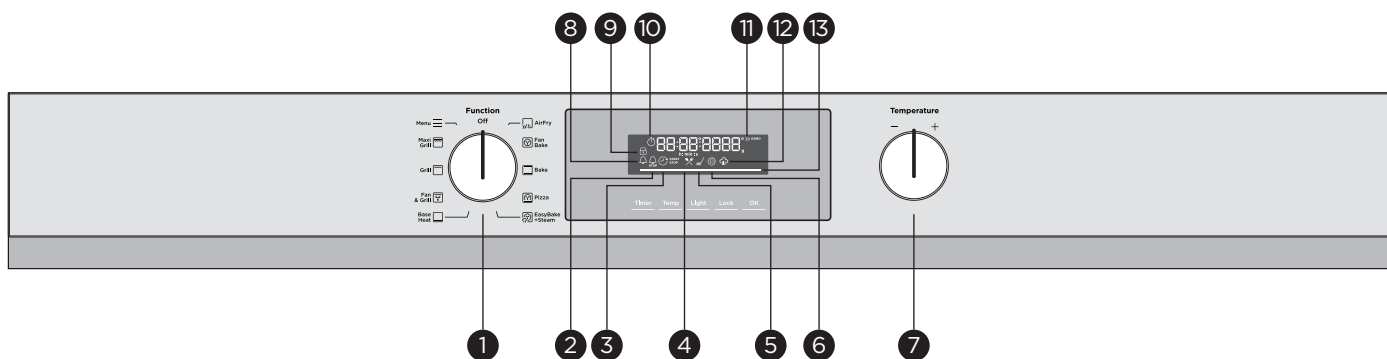
- Your oven has been correctly installed by a qualified person.
- Your oven has power and is switched on.
- You've removed all relevant packaging.



Most of the packaging materials can be recycled. Please dispose of them at your local recycling centre or in your own recycling bin.

Set...

Get to know your control panel:



- | | | |
|---------------------------------|---|--|
| 1 Oven function selector | 6 Settings | 10 Uptimer |
| 2 Cooking time | 7 Oven/grill temperature control | 11 Fast heat up |
| 3 Time delay | 8 Minute minder | 12 Steam cooking indicator |
| 4 Assisted cooking | 9 Lock | 13 Progress bar for temperature or time |

Set...

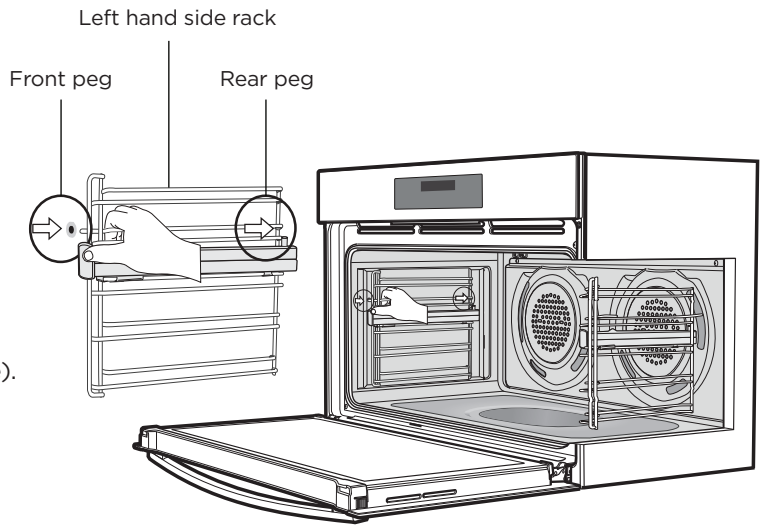
Installing the accessories

1. Install the telescopic slides to the side racks. Refer to the installation guide supplied with the telescopic slides.

2. Insert side racks.

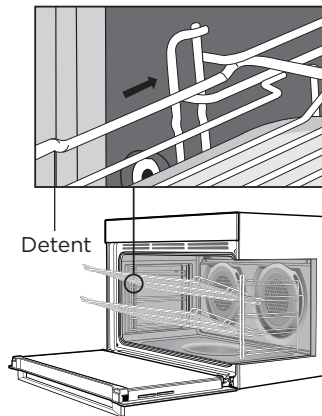
There is a left hand and right hand version (see image).

1. Insert the rear peg into the rear access hole, ensuring that the peg is fully inserted.
2. Then locate the front peg into the front access hole and push in firmly.



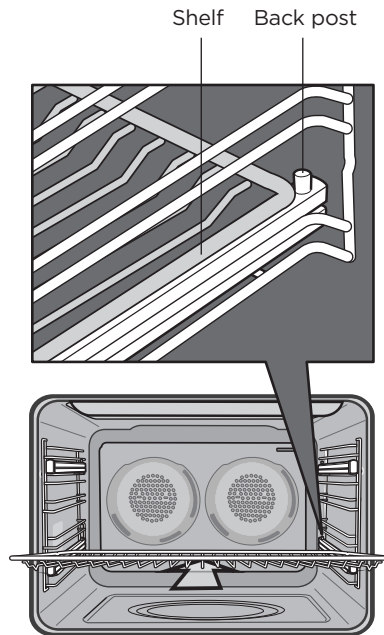
3. To fit a shelf or tray to side racks:

1. Locate the rear edge of the shelf in between guide rails of the side rack. Ensure the same rail positions on both sides of the oven are being engaged.
2. With the front edge raised, slide the shelf into the oven.
3. Once the detents have passed the front edge of the side rack, the shelf can be pushed completely in.

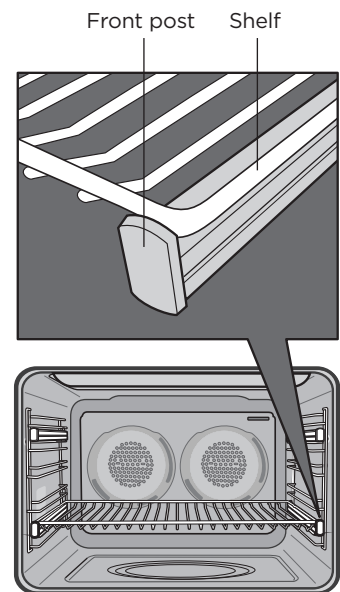


4. Fit shelf/tray to telescopic slides

1. Push the shelf or tray along the top of the slide until it hits the back post.



2. Drop the front of the shelf or tray onto the slide ensuring it sits behind the front post of the slide.



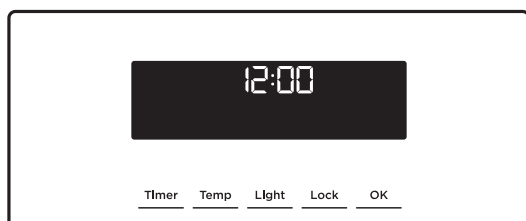
3. When fully inserted the shelf/tray should not interfere with the closed oven door.

Set the time

Before you can start using the oven, you must set up the clock.

1. After the oven has been electrically connected, '12:00' will be displayed and the hour minute digits will flash.
2. To turn the Temperature knob + or - to set the time of the day.
3. Press **OK** to complete the clock setting.

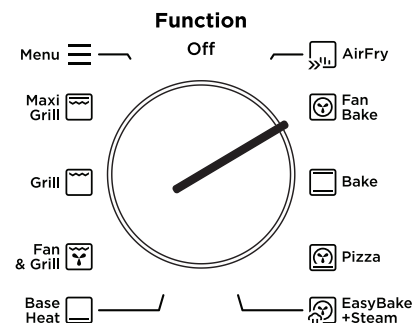
Note: The clock has a 24 hour display.



Condition the oven (to burn off any residue)

New appliances can have oil or residue left from manufacturing. You will need to heat your oven for 2 hours before using it for the first time.

1. Turn the function selector dial to 'Fan Bake'.
2. Using the temperature control knob, set the oven at 180°C for approximately 2 hours. Please ensure that the room is well ventilated during this process.



Go!

You're ready to use your new Westinghouse appliance. A few tips from us:

Remember to pre-heat each time.

For best cooking results pre-heat the oven. Pre-heating allows the oven to reach the required temperature quickly and efficiently as well as cook food at the correct temperature for the entire cook time. Recommended pre-heat time is 30 minutes for baking and 3 minutes for grilling.

Choose the right program for the best result:

INDUCTION
HOB



Induction cooktop gives you instant heat as your pan is heated directly by a magnetic field instead of a flame or electric element. They are safer, simple to clean and give you precise temperature control. Plus, they only heat the area directly beneath the pan, while the surface area around it remains cool. Induction cooktop is the most energy-efficient choice with the power and control you need to achieve the desired result.

The Bridge function allows you to combine two separate cooking zones to create a single large surface. With the temperature and time settings automatically aligned, it's ideal for making the most of Planchas or roasting pots.

AIRFRY



AirFry for that perfect, healthy crunch. When a food craving hits, make healthier and delicious food right in your oven. Deliver all the flavour and none of the guilt. AirFry allows you to make healthier tasty meals for the entire family - right in your oven.

FAN BAKE



This setting is best used when cooking on multiple shelves at once or reheating complete meals for your family.

FAN & GRILL



When cooking large cuts of meat, this setting gives you result that is similar to 'roisserie' cooked meat. When using 'Fan Grill' it is not necessary to turn food over during the cooking cycle. Set temperature to 180°C and cook with the oven door closed.

PIZZA



The "Pizza" function is ideal for food that require cooking and browning on the base. It is great for foods such as pizzas, quiches, meat pies and fruit pies. Simply place the food in the middle of the oven and set the desired temperature.

EASY BAKE
+STEAM



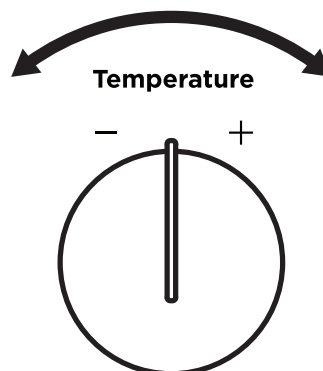
Steam helps you get a better rise, crispier crust, a fluffier centre and tastier textures for all your bread, pastries, cakes, scones and puddings at home.

Refer to your full user manual for more details on oven functions.

Set your temperature

Turn the temperature selector left (-) or right (+) as required to set the desired cooking temperature.

NOTE: the temperature can be adjusted at any time throughout the cooking time.



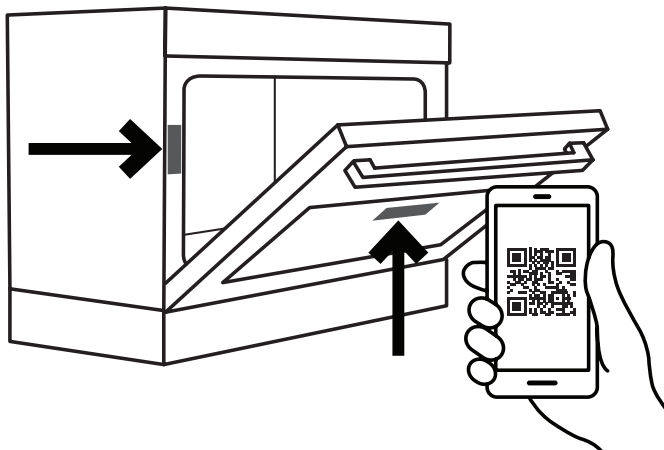
Quick Start Guide

WFEP9757

Enjoy peace of mind. Register your appliance today.

Stay updated on better living services, safety notices and shop for accessories.

- 1. Open the camera app on your smartphone and point at the QR code to scan**
Product Registration QR code is located on the front of your appliance or inside the door rim*.



- 2. Tap the notification or link to open the registration form**
- 3. Complete your details and enjoy peace of mind**

*Exact location of QR code may vary depending on oven model



Need more help?

To access your detailed user manual online, simply scan the QR code on your smart phone. If you prefer a printed manual, please contact our Customer Care Centre using details below.



Customer Care Centre

Contact us if you need more help

Electrolux Home Products Australia

telephone: 13 13 49
email: customercare@electrolux.com.au
web: electrolux.com.au

Electrolux Home Products New Zealand

telephone: 0800 436 245
email: customercare@electrolux.co.nz
web: electrolux.co.nz