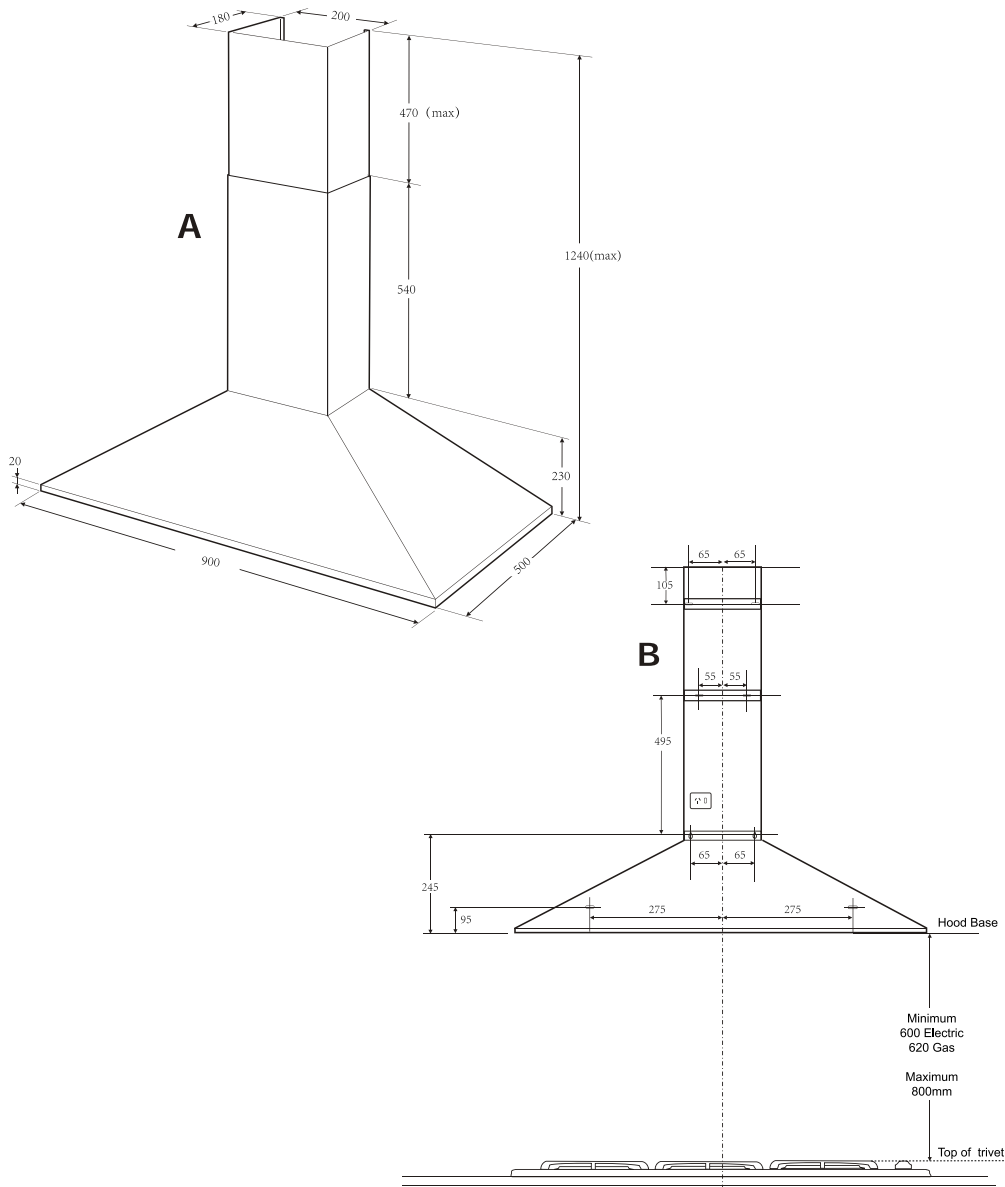


## Canopy rangehood

WRC904SD



**Note:**

Some installation may require telescopic flue cut to length. Cut with tin snips or a fine-tooth hack saw blade, taking care not to distort or dent flue.

The maximum space between the wall and screw top is 3mm. All the holes on the wall are  $\Phi 6$ mm.

**Diagram B:**

Recommended working heights. Flue mounting bracket locations. Telescopic flue cover fixing points.

**Product WxDxH (mm)**

900 x (1240 max) x 500

**Cut-out WxD (mm)**

top only, 150

**IMPORTANT**

These dimensions are a guide only. All measurements are in millimetres (mm). For complete installation instructions, refer to the manual provided with product.