

## **CANOPY RANGEHOOD**

WRC904SC ,WRF600, WRF600CS, WRF900CS,  
WRG630CW, WRG630CS, WRG930CW, WRG930CS,  
RCD690S, RCD990S

## IMPORTANT INFORMATION THAT MAY IMPACT YOUR MANUFACTURER'S WARRANTY

Adherence to the directions for use in this manual is extremely important for health and safety. Failure to strictly adhere to the requirements in this manual may result in personal injury, property damage and affect your ability to make a claim under the Westinghouse manufacturer's warranty provided with your product. Products must be used, installed and operated in accordance with this manual. You may not be able to claim on the Westinghouse manufacturer's warranty in the event that your product fault is due to failure to adhere this manual.

These cooker hoods are domestic appliances which have been manufactured and tested to comply with Australian and New Zealand Standard AS/NZS 3350.2.31.

These appliance are intended to be used in household and similar applications such as: Staff kitchen areas in shops, offices and other working environments; Farm Houses; By clients in hotels, motels and other residential type environments; Bed and breakfast type environments.

### Safety Warnings

- This appliance can be used by children aged from 8 years and above and persons with reduced physical, sensory or mental capabilities or lack of experience and knowledge if they have been given supervision or instruction concerning the use of the appliance in a safe way and understand the hazards involved. Children shall not play with the appliance. Cleaning and user maintenance shall not be made by children without supervision.
- Ensure the cooker hood is switched off before carrying out maintenance, to avoid any possibility of electric shock.
- Grease filters must be removed every four weeks (maximum) for cleaning to reduce the risk of fire.
- Do not flamb'e under the range hood.
- This cooker hood is not recommended for barbeques.
- The exhaust air from the cooker hood must not be discharged into any heating flue, which may carry combustion products from other sources.
- Exhaust air must not be discharged into a wall cavity, unless the cavity is designed for the purpose.
- There must be adequate ventilation of the room when the cooker hood is used at the same time as appliances burning gas or other fuels.
- Always cover lit gas burners with pots or pans when the cooker hood is in use.
- Always switch off gas burners before you remove pots or pans.
- CAUTION: Accessible parts may become hot when used with cooking appliance.
- Regulations concerning the discharge of air have to be fulfilled.
- There is a fire risk if cleaning is not carried out in accordance with the instructions.

### Cleaning

Wipe the cooker hood body and ue with a sponge or soft cloth soaked in warm soapy water. Do not use oven cleaners or other abrasive materials.

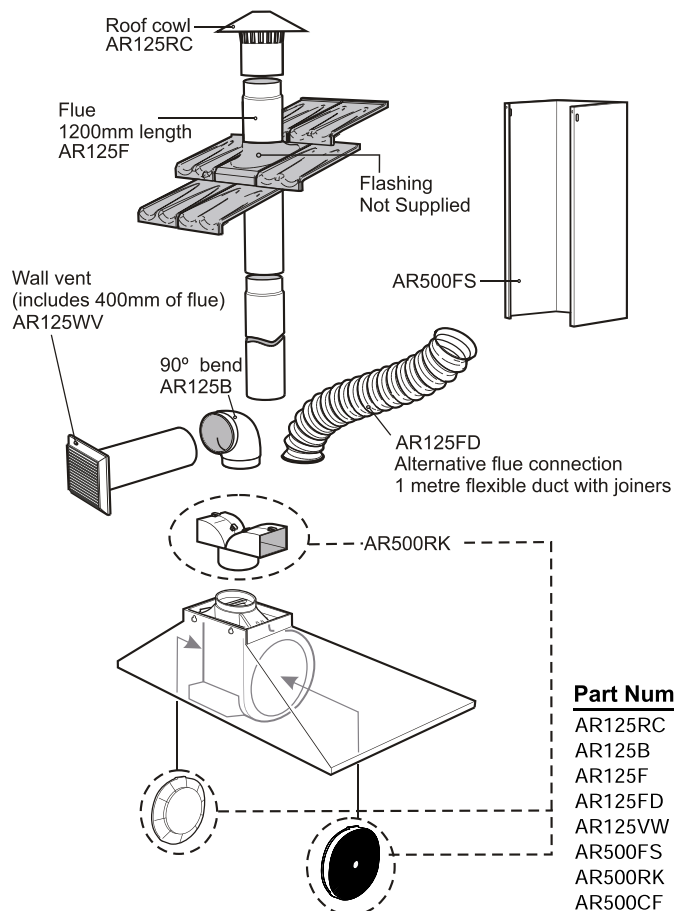
### Electrical Connection

- Check that the mains voltage matches with the voltage on the data plate inside the cooker hood.
- Check that the installation complies with standards of local gas and electricity authorities.
- If the supply cord is damaged, it must be replaced by the manufacturer or its service agent or a similarly qualified person in order to avoid a hazard.

### Accessories

- Use 120mm round exhaust ducting for best performance.
- When using flexible duct always install duct with the wire helix pulled taut to minimise pressure loss.
- Try to keep exhaust duct short and straight.
- Keep bends in the exhaust duct to a minimum.
- Do not reduce the size or restrict exhaust duct.

### DUCTING ACCESSORIES



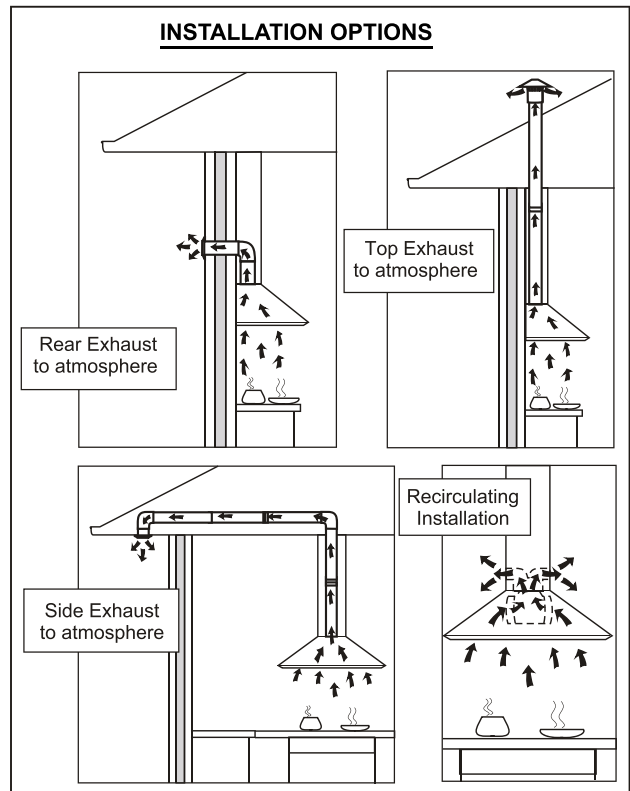
#### Part Numbers:

AR125RC  
AR125B  
AR125F  
AR125FD  
AR125WV  
AR500FS  
AR500RK  
AR500CF

#### Description:

Roof Cowl  
90° Bend  
Flue 1200mm Long  
Flexible Duct - 1 Metre Long When Expanded  
Wall Vent Kit  
Extra Length Flue Cover 1100mm Length Brushed Stainless Steel  
Recirculating Kit  
Replacement Carbon Filters

### INSTALLATION OPTIONS



Warning: Failure to install the screws or fixing device in accordance with these instructions may result in electrical hazards.

**COMPONENTS LIST**

- 1 body assembly with grease filters (900-3 grease filters / 600-2 grease filters)
- 1 telescopic flue cover set
- 2 cover flue mounting brackets
- 1 instruction book
- 1 plastic bag containing screws for fixing telescopic flue covers
- 1 plastic duct transition: oblong to round

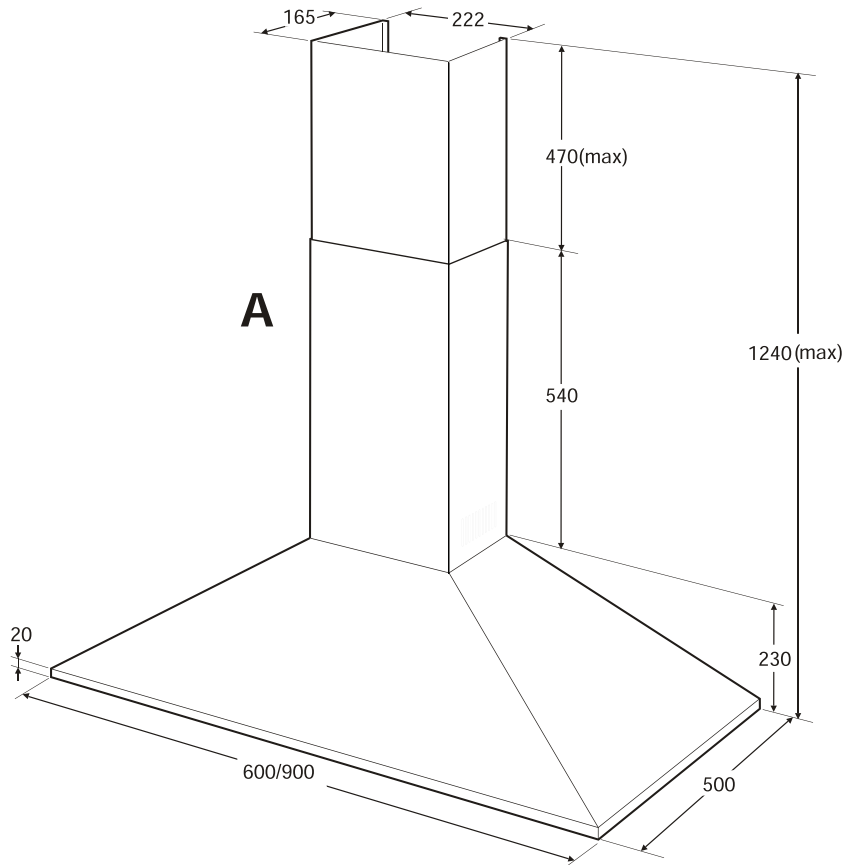
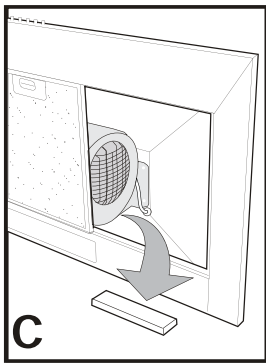
**COMPONENTS NOT INCLUDED**

- Fixings required to attach cover flue mounting brackets to wall
- Fixings required to attach the cooker hood to wall

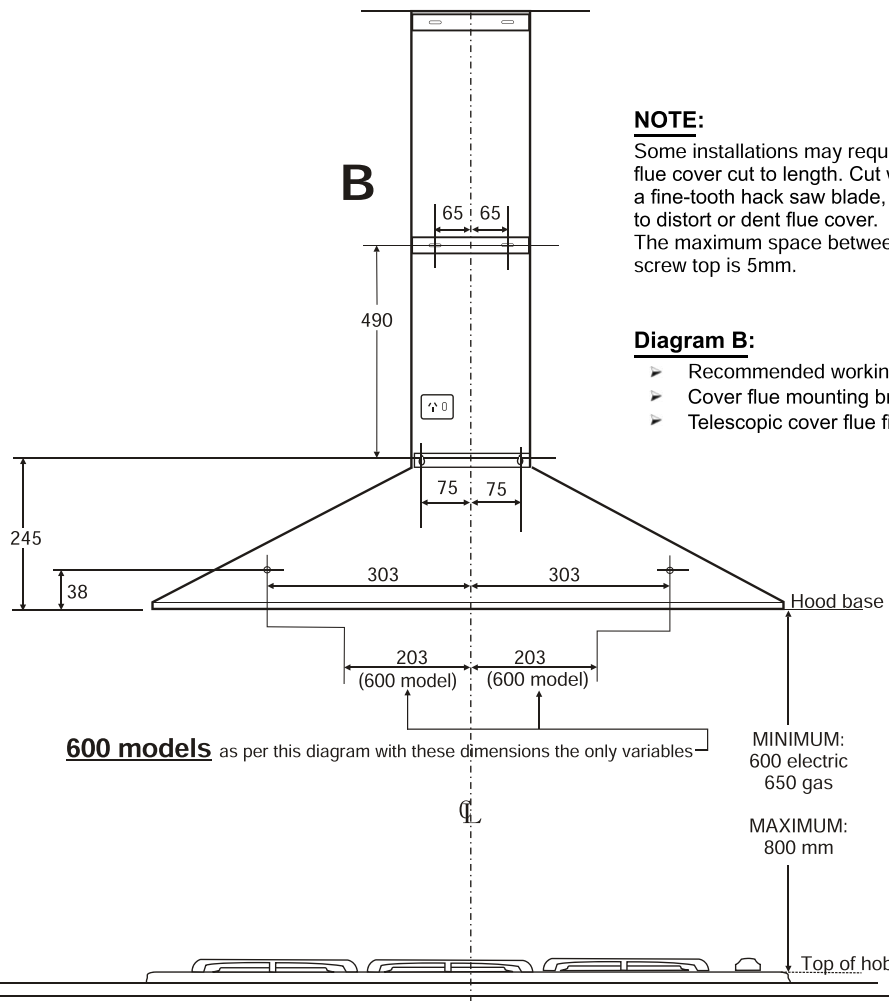
**INSTALLING THE COOKER HOOD**

Before installing the cooker hood, peel off any protective plastic covering.

Remove polystyrene packaging from inside behind fan motor. (Diagrams C)



DIMENSIONS ARE IN MILLIMETRES



**NOTE:**

Some installations may require telescopic flue cover cut to length. Cut with tin snips or a fine-tooth hack saw blade, taking care not to distort or dent flue cover. The maximum space between the wall and screw top is 5mm.

**Diagram B:**

- Recommended working heights.
- Cover flue mounting bracket locations.
- Telescopic cover flue fixing points.

**NOTE:**

If the instructions of the hob specify a greater distance than the minimum, then that shall be the minimum height for the installation

**600 models** as per this diagram with these dimensions the only variables

MINIMUM:  
600 electric  
650 gas

MAXIMUM:  
800 mm

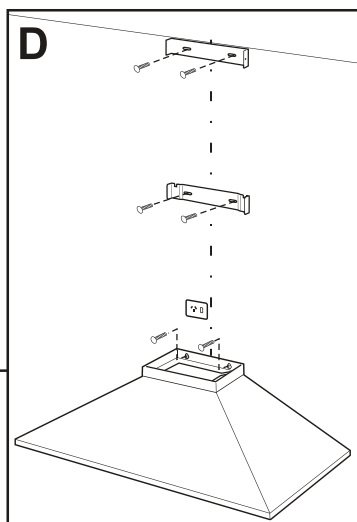
Top of hob



## RECOMMENDED INSTALLATION SEQUENCE

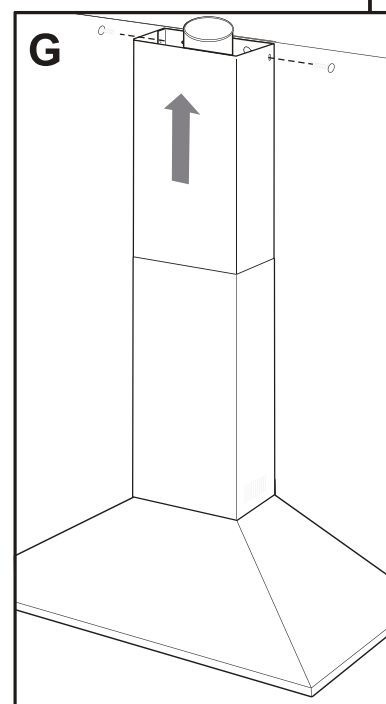
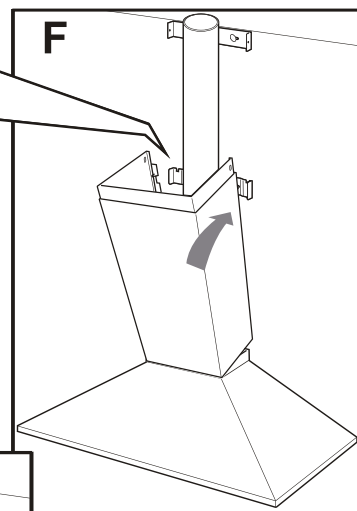
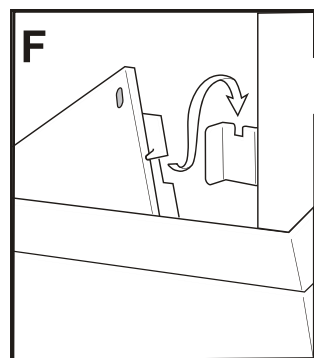
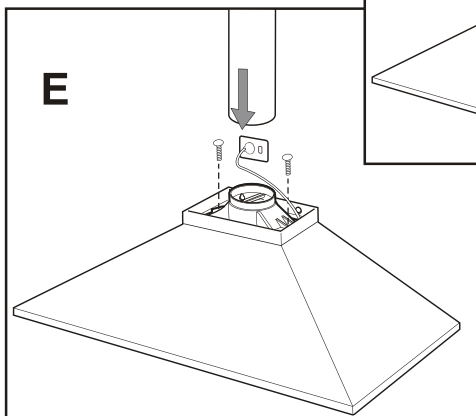
### Diagram D

Install cooker hood body.  
Determine working height, mark wall to suit.  
Install cover flue mounting brackets.



### Diagram E

Fix duct transition to cooker hood body.  
Install internal exhaust duct to suit installation type.



### Diagram(s) F

Install bottom section of telescopic flue cover.

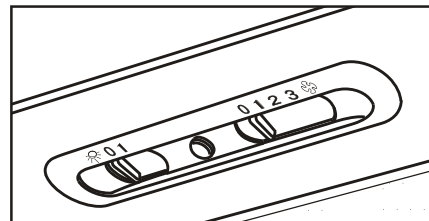
### Diagram G

Install top section of telescopic flue cover.

## COOKER HOOD OPERATION

**IMPORTANT:** The Edison Screw lamps may have come loose during transportation. Ensure that lamps are tightened firmly into the socket before power is applied.

Best results are obtained by using a low fan speed for normal conditions and a high fan speed when odours are more concentrated. Turn the hood on a few minutes before you start cooking. It should be left on after cooking for about 15 minutes or until all odours have disappeared.

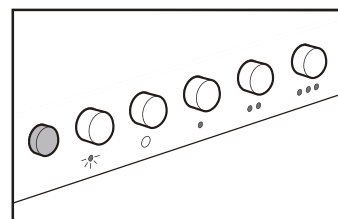


### Slide switch controls:

Light switch: ----- This switch is used to turn the light fitted in the hood on and off.  
Extractor fan switch: ----- Used to select fan speeds.  
Slide position 1: ----- Fan speed Low  
Slide position 2: ----- Fan speed Medium  
Slide position 3: ----- Fan speed High

### Press button switch controls

**Light switch:** Depress light button to turn light ON. Press light button to turn light OFF.



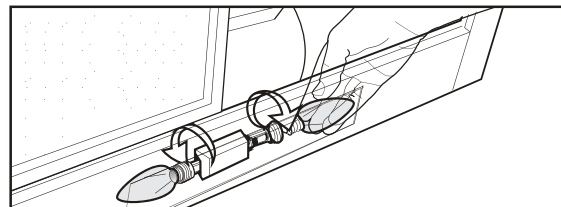
**Extractor fan switch interlocked switching:** Select a fan speed, depress button to turn fan ON. Press button (O) to turn fan OFF.

### NOTE:

This product is fitted with a safety cutout device. If the cooker hood is installed too close to the cooktop, flame cooking, operating the cooktop without cooking utensils and blocked filters may activate the safety cutout device. If the hood stops during operation, correct the faults and allow time for the safety cutout device to reset, the cooker hood will then function correctly.

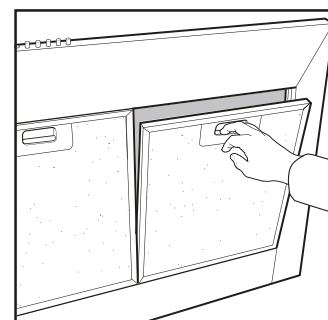
### Replacing lamps:

Ensure the appliance is switched off before carrying out maintenance, to avoid any possibility of electric shock. Remove grease filter to replace lamp. Replace with 40W (maximum) E14 candle lamp.



### Maintenance:

Clean grease filters every three to four weeks maximum. Greasy filters are a fire risk. Remove the grease filters, soak and agitate in hot soapy water. Rinse, drain and shake well before replacing filters. **Do not** use oven cleaners or other caustic materials.











FOR SALES IN AUSTRALIA AND NEW ZEALAND  
APPLIANCE: WESTINGHOUSE RANGEHOODS

**This document sets out the terms and conditions of the product warranties for Westinghouse Appliances. It is an important document. Please keep it with your proof of purchase documents in a safe place for future reference should there be a manufacturing defect in your Appliance. This warranty is in addition to other rights you may have under the Australian Consumer Law.**

**1. In this warranty:**

- (a) 'ACL' or 'Australian Consumer Law' means Schedule 2 to the Competition and Consumer Act 2010;
- (b) 'Appliance' means any Electrolux product purchased by you and accompanied by this document;
- (c) 'ASC' means Electrolux's authorised serviced centres;
- (d) 'Westinghouse' is the brand controlled by Electrolux Home Products Pty Ltd of 163 O'Riordan Street, Mascot NSW 2020, ABN 51 004 762 341 in respect of Appliances purchased in Australia and Electrolux (NZ) Limited (collectively "Electrolux") of 3-5 Niall Burgess Road, Mount Wellington, in respect of Appliances purchased in New Zealand;
- (e) 'Warranty Period' means the period specified in clause 3 of this warranty;
- (f) 'you' means the purchaser of the Appliance not having purchased the Appliance for re-sale, and 'your' has a corresponding meaning.

**2. Application:** This warranty only applies to new Appliances, purchased and used in Australia or New Zealand and is in addition to (and does not exclude, restrict, or modify in any way) other rights and remedies under a law to which the Appliances or services relate, including any non-excludable statutory guarantees in Australia and New Zealand.

**3. Warranty Period:** Subject to these terms and conditions, this warranty continues for in Australia for a period of 24 months and in New Zealand for a period of 24 months, following the date of original purchase of the Appliance.

**4. Repair or replace warranty:** During the Warranty Period, Electrolux or its ASC will, at no extra charge if your Appliance is readily accessible for service, without special equipment and subject to these terms and conditions, repair or replace any parts which it considers to be defective. Electrolux may, in its absolute discretion, choose whether the remedy offered for a valid warranty claim is repair or replacement. Electrolux or its ASC may use refurbished parts to repair your Appliance. You agree that any replaced Appliances or parts become the property of Electrolux.

**5. Travel and transportation costs:** Subject to clause 7, Electrolux will bear the reasonable cost of transportation, travel and delivery of the Appliance to and from Electrolux or its ASC. Travel and transportation will be arranged by Electrolux as part of any valid warranty claim.

**6. Proof of purchase** is required before you can make a claim under this warranty.

**7. Exclusions:** You may not make a claim under this warranty unless the defect claimed is due to faulty or defective parts or workmanship. This warranty does not cover:

- (a) light globes, batteries, filters or similar perishable parts;
- (b) parts and Appliances not supplied by Electrolux;
- (c) cosmetic damage which does not affect the operation of the Appliance;

- (d) damage to the Appliance caused by:
  - (i) negligence or accident;
  - (ii) misuse or abuse, including failure to properly maintain or service;
  - (iii) improper, negligent or faulty servicing or repair works done by anyone other than an Electrolux authorised repairer or ASC;
  - (iv) normal wear and tear;
  - (v) power surges, electrical storm damage or incorrect power supply;
  - (vi) incomplete or improper installation;
  - (vii) incorrect, improper or inappropriate operation;
  - (viii) insect or vermin infestation;
  - (ix) failure to comply with any additional instructions supplied with the Appliance;

In addition, Electrolux is not liable under this warranty if:

- (a) the Appliance has been, or Electrolux reasonably believes that the Appliance has been, used for purposes other than those for which the Appliance was intended, including where the Appliance has been used for any non-domestic purpose;
- (b) the Appliance is modified without authority from Electrolux in writing;
- (c) the Appliance's serial number or warranty seal has been removed or defaced

**8. How to claim under this warranty:** To enquire about claiming under this warranty, please follow these steps:

- (a) carefully check the operating instructions, user manual and the terms of this warranty;
- (b) have the model and serial number of the Appliance available;
- (c) have the proof of purchase (e.g. an invoice) available;
- (d) telephone the numbers shown below.

**9. Australia:** For Appliances and services provided by Electrolux in Australia: Electrolux goods come with guarantees that cannot be excluded under the Australian Consumer Law. You are entitled to a replacement or refund for a major failure and for compensation for any other reasonably foreseeable loss or damage. You are also entitled to have the Appliance repaired or replaced if the Appliance fails to be of acceptable quality and the failure does not amount to a major failure. 'Acceptable quality' and 'major failure' have the same meaning as referred to in the ACL.

**10. New Zealand:** For Appliances and services provided by Electrolux in New Zealand, the Appliances come with a guarantee by Electrolux pursuant to the provisions of the Consumer Guarantees Act, the Sale of Goods Act and the Fair Trading Act. Where the Appliance was purchased in New Zealand for commercial purposes the Consumer Guarantee Act does not apply.

**11. Confidentiality:** You accept that if you make a warranty claim, Electrolux and its agents including ASC may exchange information in relation to you to enable Electrolux to meet its obligations under this warranty.

**Important Notice**

Before calling for service, please ensure that the steps listed in clause 8 above have been followed.

<b>AUSTRALIA</b>	<b>FOR SERVICE</b> or to find the address of your nearest authorised service centre in Australia <b>PLEASE CALL 13 13 49</b> <small>For the cost of a local call</small>	<b>FOR SPARE PARTS</b> or to find the address of your nearest spare parts centre in Australia <b>PLEASE CALL 13 13 50</b> <small>For the cost of a local call</small>
<b>NEW ZEALAND</b>	<b>FOR SERVICE</b> or to find the address of your nearest authorised service centre in New Zealand <b>PLEASE CALL 0800 10 66 10</b>	<b>FOR SPARE PARTS</b> or to find the address of your nearest spare parts centre in New Zealand <b>PLEASE CALL 0800 10 66 20</b>





Customer Care Centre

Contact us if you need more help

**Australia**

telephone: 13 13 49

email: [customercare@electrolux.com.au](mailto:customercare@electrolux.com.au)

web: [westinghouse.com.au](http://westinghouse.com.au)

**New Zealand**

telephone: 0800 436 245

email: [customercare@electrolux.co.nz](mailto:customercare@electrolux.co.nz)

web: [westinghouse.co.nz](http://westinghouse.co.nz)

 and WESTINGHOUSE are trademarks of Westinghouse Electric Corporation.  
Used under license by Electrolux Home Products Pty Ltd. All Rights Reserved.

© 2019 Electrolux Home Products Pty Ltd.  
ABN 51 004 762 341  
WMAN\_Canopy\_RH\_Sep19