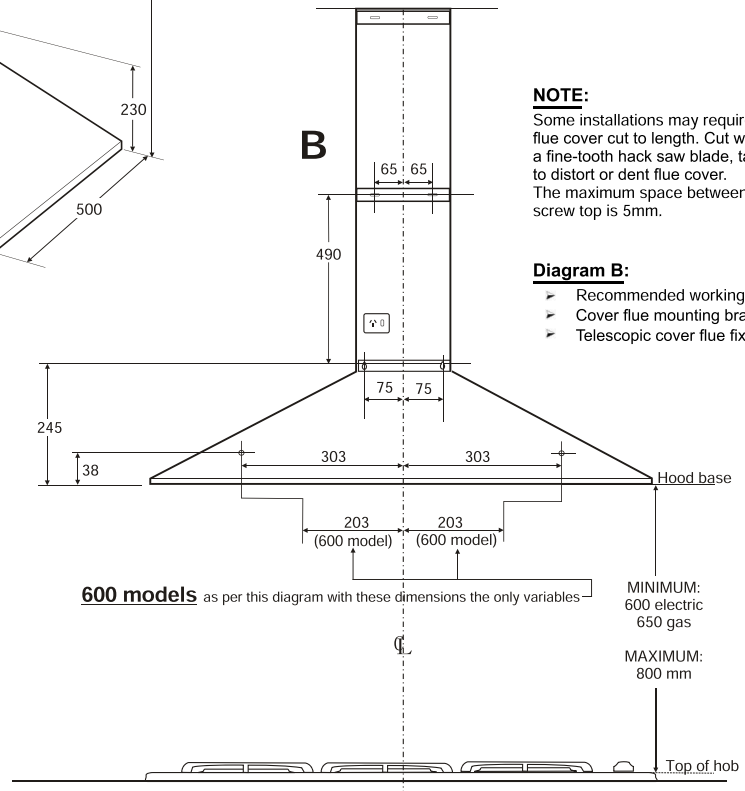
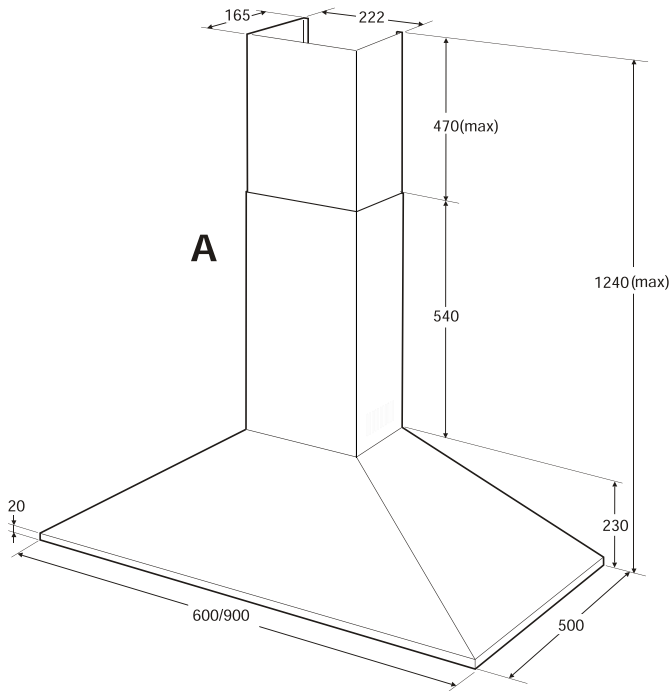


## Canopy rangehood

WRC904SC



**NOTE:**

Some installations may require telescopic flue cover cut to length. Cut with tin snips or a fine-tooth hack saw blade, taking care not to distort or dent flue cover. The maximum space between the wall and screw top is 5mm.

**Diagram B:**

- Recommended working heights.
- Cover flue mounting bracket locations.
- Telescopic cover flue fixing points.

**600 models** as per this diagram with these dimensions the only variables

MINIMUM:  
600 electric  
650 gas

MAXIMUM:  
800 mm

**Product WxHxD (mm)**

900 x (1240 max) x 500

**Duct, diameter (mm)**

top only, 120

**IMPORTANT**

These dimensions are a guide only. All measurements are in millimetres (mm). For complete installation instructions, refer to the manual provided with product.