

MICROWAVE OVEN

WMB2522SC

CONGRATULATIONS

Dear customer,
Congratulations on the purchase of your new microwave.
Before you use the microwave, we recommend that you read through the whole user manual which provides the description of the microwave and its functions.
To avoid the risks that are always present when you use an electrical appliance, it is important that the microwave is installed correctly and that you read the safety instructions carefully to avoid misuse and hazards.
We recommend that you keep this instruction booklet for future reference and pass it on to any future owners.
After unpacking the appliance, please check it is not damaged. If in doubt, do not use the appliance but contact your local Customer Care Centre.
For contact details, refer to the last page of this user manual.

Conditions of use

This appliance is intended to be used in household and similar applications such as:

- Staff kitchen areas in shops, offices and other working environments
- Farm houses
- By clients in hotels, motels and other residential type environments
- Bed and breakfast type environments

Please ensure you read the instruction manual fully before you call for service, or a full service fee could be applicable.

Record model and serial number here:
Model number:.....
Serial number:.....
PNC:.....


Important information that may impact your Manufacturer's Warranty


Adherence to the directions for use in this manual is extremely important for health and safety. Failure to strictly adhere to the requirements in this manual may result in personal injury, property damage and affect your ability to make a claim under the Electrolux manufacturer's warranty provided with your product. Products must be used, installed and operated in accordance with this manual. You may not be able to claim on the Electrolux manufacturer's warranty in the event that your product fault is due to failure to adhere to this manual.


CONTENTS

General warnings.....	3
Important safety instructions.....	4
Product description	5
Utensils.....	8
Troubleshooting.....	9
Installation	10
Warranty.....	13

The symbols you will see in this booklet have these meanings:

 **WARNING**
This symbol indicates information concerning your personal safety.

 **CAUTION**
This symbol indicates information on how to avoid damaging the appliance.

 **IMPORTANT**
This symbol indicates tips and information about use of the appliance.

 **ENVIRONMENT**
This symbol indicates tips and information about economical and ecological use of the appliance.

GENERAL WARNINGS

Please read the user manual carefully and store in a handy place for later reference. Pass the user manual on to possible new owners of the appliance.

Read the following carefully to avoid damage or injury.

Children and vulnerable people safety



WARNING

Risk of suffocation, injury or permanent disability.

- This appliance can be used by children aged from 8 years and above and persons with reduced physical, sensory or mental capabilities or lack of experience and knowledge if they are supervised by an adult or a person who is responsible for their safety.
- Do not let children play with the appliance. Children under 3 years must not be left unsupervised in the vicinity of the appliance.
- Keep all packaging away from children.
- Keep children and pets away from the appliance when it operates or when it cools down. Accessible parts are hot.
- If the appliance has a child safety device, we recommend that you activate it.
- Cleaning and user maintenance shall not be made by children without supervision.
- Keep the appliance and its cord out of reach of children less than 8 years.



CAUTION

It is important to use your appliance safely. Check these safety points before using your appliance.

General safety

- Internally the appliance becomes hot when in operation. Do not touch the heating elements that are in the appliance. Always use oven gloves to remove or put in accessories or ovenware.
- Do not use a steam cleaner to clean the appliance.
- Before maintenance isolate the power supply.
- If the door or door seals are damaged, the appliance must not be operated until it has been repaired by a competent person.
- The appliance is not intended to be operated by means of an external timer or separate remote-control system..
- Only a competent person can carry out any service or repair operation that involves the removal of a cover which gives protection against exposure to microwave energy.
- Do not heat liquids and other foods in sealed containers. They are liable to explode.
- Only use utensils that are suitable for use in microwave ovens.

- When heating food in plastic or paper containers, keep an eye on the appliance due to the possibility of ignition.
- The appliance is intended for heating food and beverages. Drying of food or clothing and heating of warming pads, slippers, sponges, damp cloth and similar may lead to risk of injury, ignition or fire.
- If smoke is emitted, switch off or unplug the appliance and keep the door closed in order to stifle any flames.
- Microwave heating of beverages can result in delayed eruptive boiling. Care must be taken when handling the container.
- The contents of feeding bottles and baby food jars should be stirred or shaken and the temperature checked before consumption, in order to avoid burns.
- Eggs in their shell and whole hard-boiled eggs should not be heated in the appliance since they may explode, even after microwave heating has ended.
- The appliance should be cleaned regularly and any food deposits removed.
- Failure to maintain the appliance in a clean condition could lead to deterioration of the surface that could adversely affect the life of the appliance and possibly result in a hazardous situation.
- The temperature of accessible surfaces may be high when the appliance is operating.
- Pay attention to the minimum dimensions of the cabinet (if applicable). Refer to the installation chapter.
- The appliance must be operated with any decorative kitchen cabinet door open (if applicable).
- Do not use harsh abrasive cleaners or sharp metal scrapers to clean the glass door since they can scratch the surface, which may result in shattering of the glass.
- If the supply cord is damaged, it must be replaced by the manufacturer, an authorised Service or similarly qualified persons in order to avoid a hazard.

SAFETY INSTRUCTIONS

Installation



WARNING

Only a qualified person must install this appliance.

- Remove all the packaging.
- Do not install or use a damaged appliance.
- Obey the installation instructions supplied with the appliance.
- Always be careful when you move the appliance because it is heavy. Always wear safety gloves.
- Keep the minimum distance from the other appliances and units.
- Make sure that the appliance is installed below and adjacent safe structures.

Electrical connection



WARNING

Risk of fire and electrical shock.

- All electrical connections should be made by a qualified electrician.
- The appliance must be earthed.
- Make sure that the electrical information on the rating plate agrees with the power supply. If not, contact an electrician.
- Connect the mains plug to the mains socket only at the end of the installation. Make sure that there is access to the mains plug after the installation.
- Make sure not to cause damage to the mains cable. Contact the Service Centre or an electrician to change a damaged mains cable.
- Do not pull the mains cable to disconnect the appliance. Always pull the mains plug.

Use



WARNING

Risk of injury, burns or electric shock or explosion.

- Use this appliance in a household environment.
- Do not change the specification of this appliance.
- Make sure that the ventilation openings are not blocked.
- Do not let the appliance stay unattended during operation.
- Do not apply pressure on the open door.
- Do not use the appliance as a work surface and do not use the cavity for storage purposes.

Care and cleaning



WARNING

Risk of injury, fire or damage to the appliance.

Be sure to unplug the appliance from the power supply before cleaning.

- Clean the cavity of the oven after using with a slightly damp cloth.
- Clean the accessories in the usual way in soapy water.
- The door frame and seal and neighbouring parts must be cleaned carefully with a damp cloth when they are dirty.
- Do not use harsh abrasive cleaners or sharp metal scrapers to clean the oven door glass since they can scratch the surface, which may result in shattering of the glass.

TIP: For easier cleaning of the cavity walls that the food cooked can touch: Place half a lemon in a bowl, add 300ml (1/2 pint) water and heat on 100% microwave power for 10 minutes. Wipe the oven clean using a soft, dry cloth.

Disposal



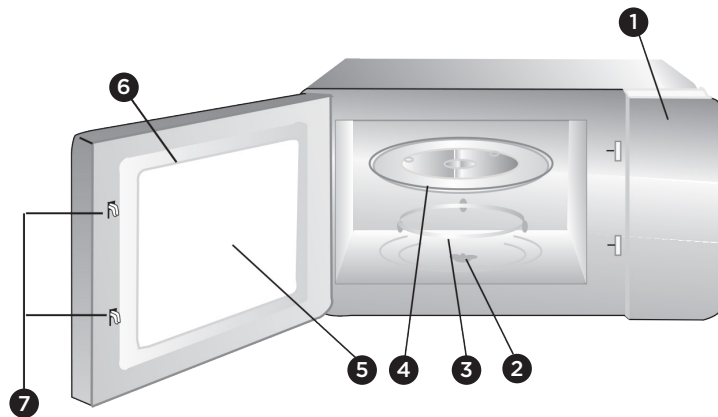
WARNING

Risk of injury or suffocation through misuse of packaging and/or discarded product.

- Disconnect the appliance from the mains supply.
- Cut off the mains cable and discard it.

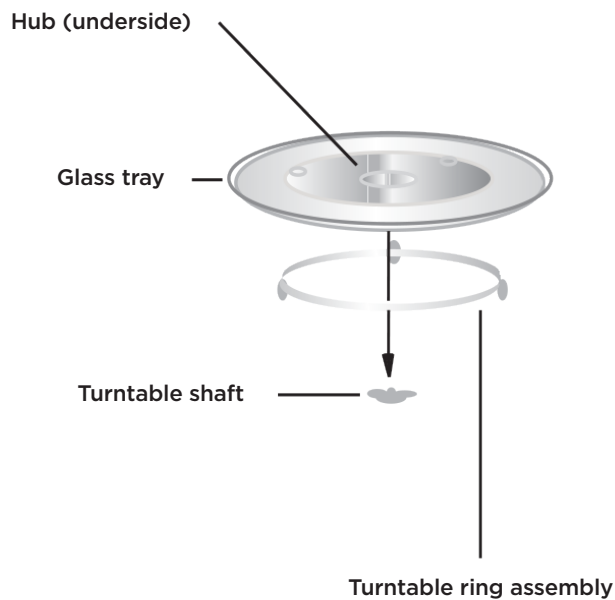
According to Waste of Electrical and Electronic Equipment (WEEE) directive, WEEE should be separately collected and treated. If at any time in future you need to dispose of this product please do NOT dispose of this product with household waste. Please send this product to WEEE collecting points where available.

PRODUCT DESCRIPTION



- 1 Control panel
- 2 Turntable shaft
- 3 Turntable ring assembly
- 4 Glass tray
- 5 Observation window
- 6 Door assembly
- 7 Safety interlock system

TURNTABLE INSTALLATION





- Never place the glass tray upside down. The glass tray should never be restricted.
- Both glass tray and turntable ring assembly must always be used during cooking.
- All food and containers of food are always placed on the glass tray for cooking.
- If glass tray or turntable ring assembly cracks or breaks, contact your nearest authorised service center.

OPERATING INSTRUCTIONS

Clock Setting



When the microwave oven is electrified, the screen will display "0:00" and the buzzer will ring once.

1. Press **Clock/Kitchen Timer** once to select clock function. The hour figures will flash.
2. Turn  to adjust the hour figures. The input time should be within 0 and 23.
3. Press **Clock/Kitchen Timer**. The minute figures will flash.
4. Turn  to adjust the minute figures, the input time should be within 0 and 59.
5. Press **Clock/Kitchen Timer** to finish clock setting. ":" will flash, and the time will light.



NOTE:

- If the clock is not set, it would not function when powered.
- During the process of clock setting, if you press **Stop/Clear**, the oven will go back to the previous status automatically.

Microwave Cooking

Press **Microwave** and the screen will display "P100". Press **Microwave** for times or turn  to choose the power you want, and "P100", "P80", "P50", "P30" or "P10" will display after each additional press. Then press **Start/+30Sec./Confirm** to confirm, and turn  to set cooking time from 0:05 to 95:00. Press **Start/+30Sec./Confirm** again to start cooking.

Example: If you want to use 80% microwave power to cook for 20 minutes, you can operate the oven using the following steps.

1. Press **Microwave** once. The screen will display "P100".
2. Press **Microwave** again or turn  to choose 80% microwave power.
3. Press **Start/+30Sec./Confirm** to confirm, and the screen displays "P80".
4. Turn  to adjust the cooking time until the oven displays "20:00".
5. Press **Start/+30Sec./Confirm** to start cooking.

Note: the step quantities for the adjustment time of the coding switch are as follows:


- 0---1min: 5 seconds
- 1--5 min: 10 seconds
- 5---10 min: 30 seconds
- 10---30 min: 1 minute
- 30---95 min: 5 minutes

"Microwave" Pad instructions


ORDER	DISPLAY	MICROWAVE POWER
1	P100	100%
2	P80	80%

3	P50	50%
4	P30	30%
5	P10	10%


Quick Start

1. In waiting state, press **Start/+30Sec./Confirm** to start cooking with 100% power. Each additional press will increase 30 seconds cooking time up to a maximum of 95 minutes.
2. In microwave, grill, combination cooking or time defrost state, each press of **Start/+30Sec./Confirm** can increase 30 seconds of cooking time.
3. In waiting state, turn  left to set cooking time with 100% microwave power, then press **Start/+30Sec./Confirm** to start cooking.


Defrost By Weight

1. Press **Weight Defrost** once, and the oven will display "dEF1".
2. Turn  to select the weight of food from 100g to 2000g.
3. Press **Start/+30Sec./Confirm** to start defrosting.

Defrost By Time

1. Press **Time Defrost** once, and the oven will display "dEF2".
2. Turn  to select the defrost time. The MAX time is 95 minutes.
3. Press **Start/+30Sec./Confirm** to start defrosting. The defrost power is P30, and it will not be changed.

Kitchen Timer

1. Press **Clock/Kitchen Timer** twice, screen will display 00:00, clock indicator will light.
2. Turn  to enter the correct time. (The maximum cooking time is 95 minutes.)
3. Press **Start/+30Sec./Confirm** to confirm setting, clock indicator will be lighted.
4. When the kitchen time is reached, clock indicator will go out. The buzzer will ring 5 times. If the clock has been set (24-hour system), the screen will display the current time.



Note: The kitchen time is different from 24-hour system. Kitchen Timer is a timer.

Inquiring Function



1. In states of microwave, grill and combination cooking, pressing **Microwave** will display the current power for 3 seconds. After 3 seconds, the oven will turn back to the former state.
2. In cooking state, pressing **Clock/Kitchen Timer** will display the time for 3 seconds.

OPERATING INSTRUCTIONS (CONTINUED)

Auto Menu

1. Turn  right to choose the menu, and "A-1" to "A-10" will display.
2. Press **Start/+30Sec./Confirm** to confirm.
3. Turn  to choose the default weight as per the menu chart.
4. Press **Start/+30Sec./Confirm** to start cooking.




Example: If you want to use "Auto Menu" to cook fish for 350g:

1. Turn  clockwise till "A-4" displays.
2. Press **Start/+30Sec./Confirm** to confirm.
3. Turn  to select the weight of fish till "350" displays.
4. Press **Start/+30Sec./Confirm** to start cooking.

Multi-section cooking

At most 2 sections can be set for cooking. In multi-section cooking, if one section is defrosting, then defrosting shall be placed in the first section.

Example: If you want to defrost food for 5 minutes and then cook with 80% microwave power for 7 minutes, follow these steps:

1. Press **Time Defrost** once, and the oven will display "dEF2".
2. Turn  to select the defrost time till "5:00" displays.
3. Press **Microwave** once. The screen displays "P100".
4. Press **Microwave** once again or turn  to choose 80% microwave power.
5. Press **Start/+30Sec./Confirm** to confirm, and the screen displays "P80".
6. Turn  to adjust the cooking time till the oven displays "7:00".
7. Press **Start/+30Sec./Confirm** to start cooking, and a buzzer will sound once for the first section. The defrosting time counts down. The buzzer will sound once again entering the second section (cooking). When cooking finishes, the buzzer will sound five times.

Lock-out Function for Children

Lock: In waiting state, press **Stop/Clear** for 3 seconds, there will be a long beep denoting entering the children-lock state and current time will display if the time has been set, otherwise, screen will display **⏸ : : ⏸**.

Unlock: In locked state, press **Stop/Clear** for 3 seconds, there will be a long "beep" denoting that the lock is released.

The menu chart:

MENU	WEIGHT	DISPLAY
A-1 Pizza	200g	200
	400g	400
A-2 Potato	200g	200
	400g	400
	600g	600
A-3 Meat	250g	250
	350g	350
	450g	450
A-4 Fish	250g	250
	350g	350
	450g	450
A-5 Vegetable	200g	200
	300g	300
	400g	400
A-6 Beverage	1 cup (120ml)	1
	2 cups (240ml)	2
	3 cups (360ml)	3
A-7 Pasta	50g (with 450ml cold water)	50
	100g (with 800ml cold water)	100
A-8 Popcorn	50g	50
	100g	100
A-9 Chicken	200g	200
	400g	400
	600g	600
	800g	800
A-10 Reheat	200g	200
	400g	400
	600g	600

UTENSILS



WARNING

It is hazardous for anyone other than a competent person to carry out any service or repair operation that involves the removal of a cover which gives protection against exposure to microwave energy.

See the instructions on “Materials you can use in microwave oven or to be avoided in microwave oven.” There may be certain non-metallic utensils that are not safe to use for microwaving. If in doubt, you can test the utensil in question following the procedure below.

Utensil Test

1. Fill a microwave-safe container with 1 cup of cold water (250ml) along with the utensil in question.
2. Cook on maximum power for 1 minute.
3. Carefully feel the utensil. If the empty utensil is warm, do not use it for microwave cooking.
4. Do not exceed 1 minute cooking time.

Materials you can use in microwave oven

UTENSIL	REMARKS
Browning dish	Follow manufacturer’s instructions. The bottom of browning dish must be at least 3/16 inch (5mm) above the turntable. Incorrect usage may cause the turntable to break.
Dinnerware	Microwave-safe only. Follow manufacturer’s instructions. Do not use cracked or chipped dishes.
Glass jars	Always remove lid. Use only to heat food until just warm. Most glass jars are not heat resistant and may break.
Glassware	Heat-resistant oven glassware only. Make sure there is no metallic trim. Do not use cracked or chipped dishes.
Oven cooking bags	Follow manufacturer’s instructions. Do not close with metal tie. Make slits to allow steam to escape.
Paper plates and cups	Use for short-term cooking/warming only. Do not leave oven unattended while cooking.
Paper towels	Use to cover food for reheating and absorbing fat. Use with supervision for a short-term cooking only.
Parchment paper	Use as a cover to prevent splattering or a wrap for steaming.
Plastic	Microwave-safe only. Follow the manufacturer’s instructions. Should be labeled “Microwave Safe”. Some plastic containers soften, as the food inside gets hot. “Boiling bags” and tightly closed plastic bags should be slit, pierced or vented as directed by package.
Plastic wrap	Microwave-safe only. Use to cover food during cooking to retain moisture. Do not allow plastic wrap to touch food.
Thermometers	Microwave-safe only (meat and candy thermometers).
Wax paper	Use as a cover to prevent splattering and retain moisture.

Materials to be avoided in microwave oven

UTENSIL	REMARKS
Aluminum tray	May cause arcing. Transfer food into microwave-safe dish.
Food carton with metal handle	May cause arcing. Transfer food into microwave-safe dish.
Metal or metaltrimmed utensils	Metal shields the food from microwave energy. Metal trim may cause arcing.
Metal twist ties	May cause arcing and could cause a fire in the oven.
Paper bags	May cause a fire in the oven.
Plastic foam	Plastic foam may melt or contaminate the liquid inside when exposed to high temperature.
Wood	Wood will dry out when used in the microwave oven and may split or crack.

TROUBLESHOOTING



WARNING

Refer to the safety chapters.

PROBLEM	POSSIBLE CAUSE	REMEDY
The appliance does not operate.	<ul style="list-style-type: none">• Power cord not plugged in tightly.• Fuse blown or circuit breaker tripped.• Faulty wall power outlet.	<ul style="list-style-type: none">• Unplug, then plug in again after 10 seconds.• Reset the circuit breaker or check and replace the fuse. If the fuse blows or circuit trips more than once, contact a qualified electrician.• Test the outlet with other appliances. If those also fail to operate, contact a qualified electrician.
Oven does not heat up.	Door not closed properly.	Close door firmly.
Interference with television reception.	Radio and television may be interfered with when the microwave oven is operating. This is normal and is similar to the interference of small electrical appliances such as kitchen mixers, vacuum cleaners and fans.	
Oven light is dim.	In low power microwave cooking modes, it is normal for the light to become dim.	
Steam accumulating on the door, and hot air coming out of the vents.	During cooking, steam naturally comes out of food as moisture vaporises. Most will be released from the vents of the oven, and some may accumulate on cooler surfaces such as the door of the oven. This is completely normal.	



WARNING

Never start the oven without any food inside. This is very dangerous. If you accidentally do so, stop the oven immediately.

If you cannot find a solution to the problem yourself, contact your dealer or the customer service centre.

The necessary data for the customer service centre is on the rating plate on the appliance.

We recommend that you record the data at the front of this manual.

INSTALLATION

CAUTION

The oven is fitted with a plug and must only be connected to a properly installed earthed socket. The socket must only be installed and the connecting cable must only be replaced by a qualified electrician, in accordance with the appropriate regulations.

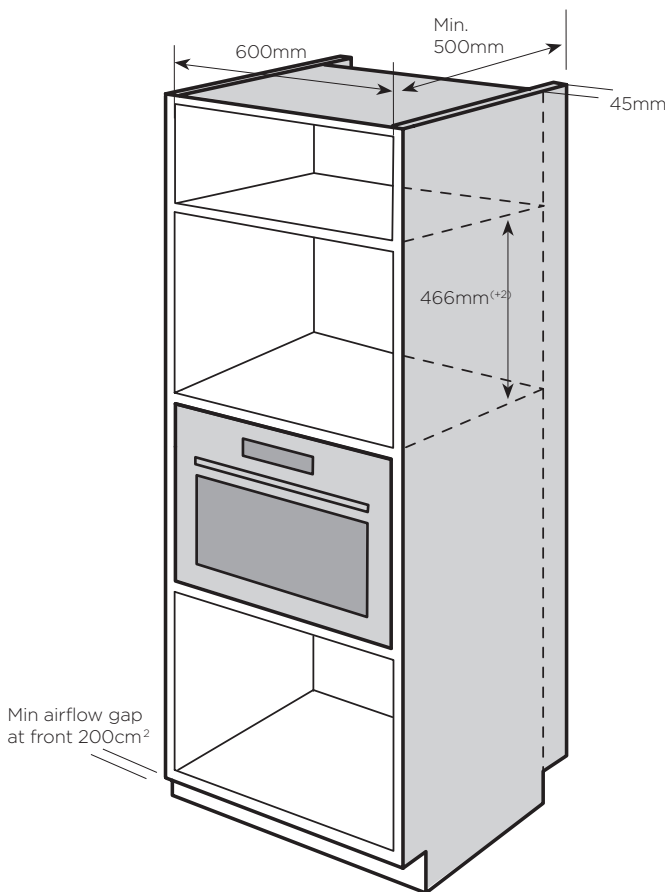
If the plug is no longer accessible following installation, an all-pole isolating switch must be present on the installation side with a contact gap of at least 3mm.

The built-in cabinet must not have a rear wall behind the appliance. Do not cover ventilation slots and air intake points.

A gap must be maintained between the wall and the base of the unit above. Refer to diagrams for details.

NOTE: Your appliance must be mounted on a flat surface for the full width and depth of the product.

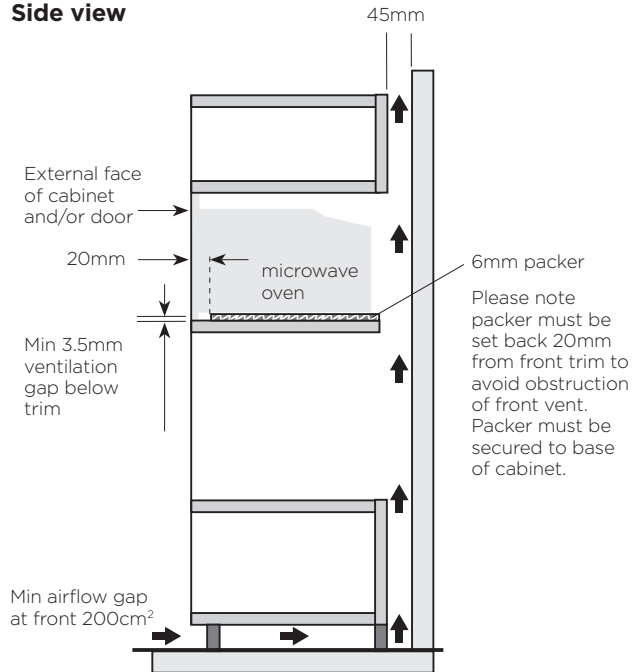
Built-in furniture - flush fit



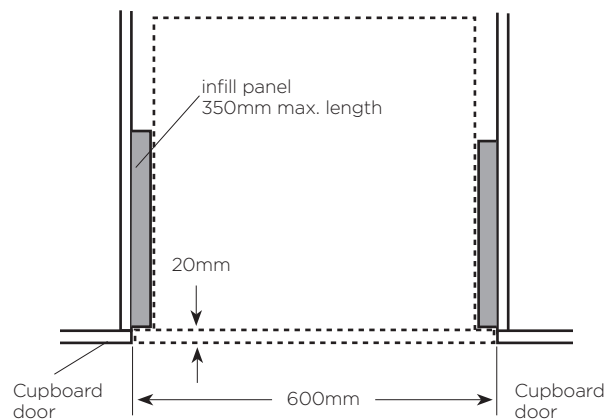
A 45mm ventilation gap must be left between the built-in cabinetry and wall with no back panelling on the cabinet housing the microwave oven. A minimum ventilation gap of 3.5mm must be left between the bottom of the front trim and adjacent shelf/cupboard.

Failure to accommodate for this gap in the installation can cause product malfunctions which are not covered under warranty

Side view

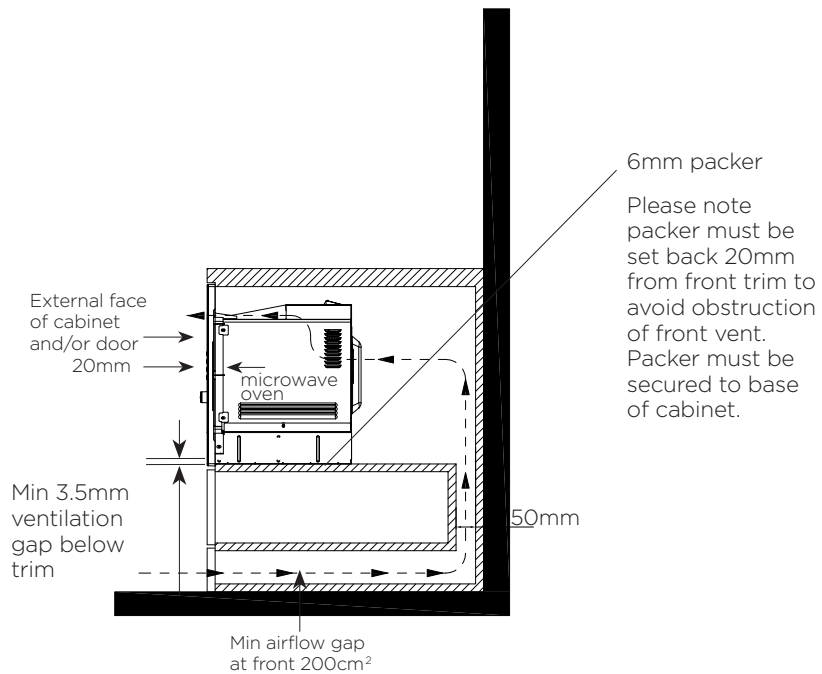
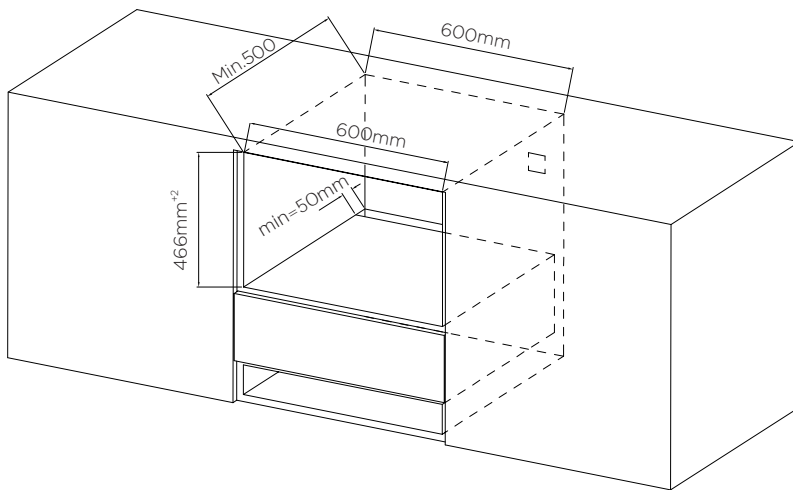


Flush fit top view




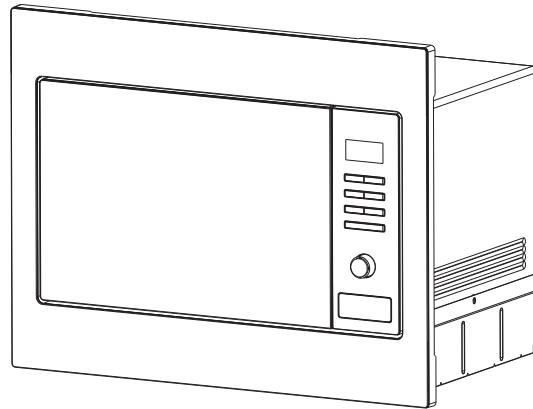
Infill panels are recessed 20mm from the external cabinet door to accommodate flush fit.

INSTALLATION (CONTINUED)



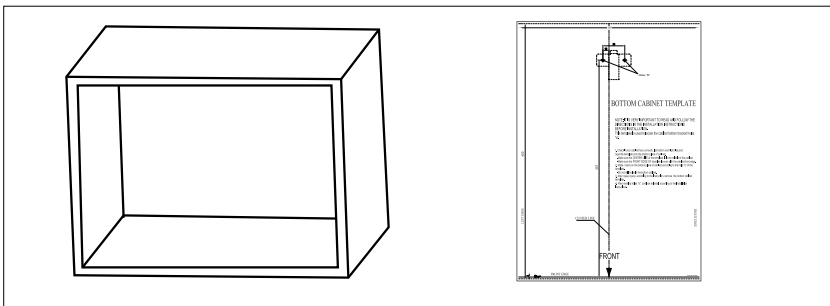
INSTALLATION (CONTINUED)

-  Screw A
-  Screw B
-  Mounting plate
-  Trim kit plastic cover

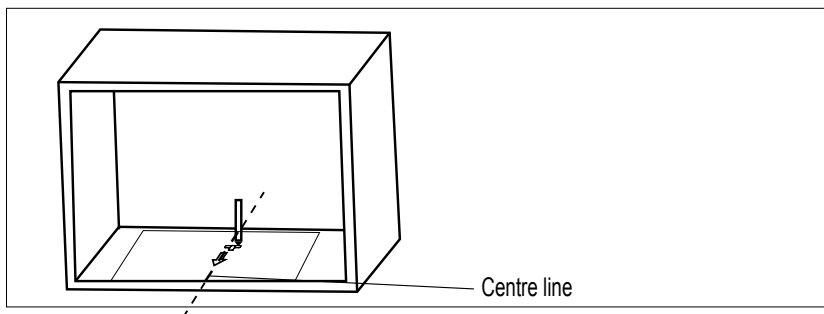


Positioning marking using the supplied template

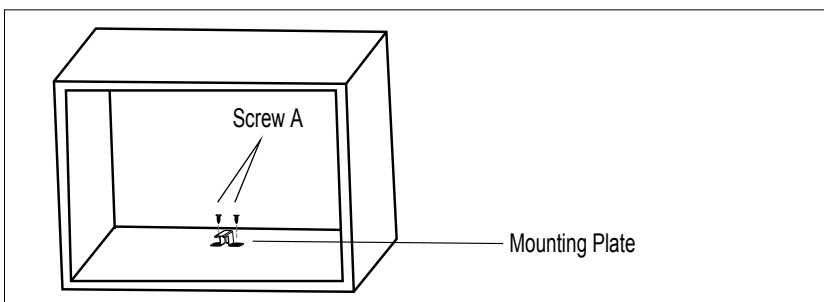
1. Read the instruction on the BOTTOM CABINET TEMPLATE and place the template on the bottom plane of cabinet.



2. Make the marks on the bottom plane of cabinet according to marks "a" of the template.



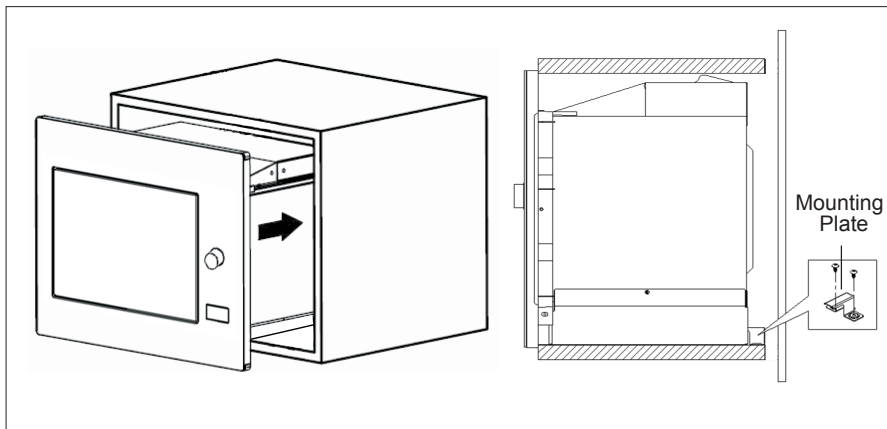
3. Remove the bottom cabinet template and fix the mounting plate with screw A.



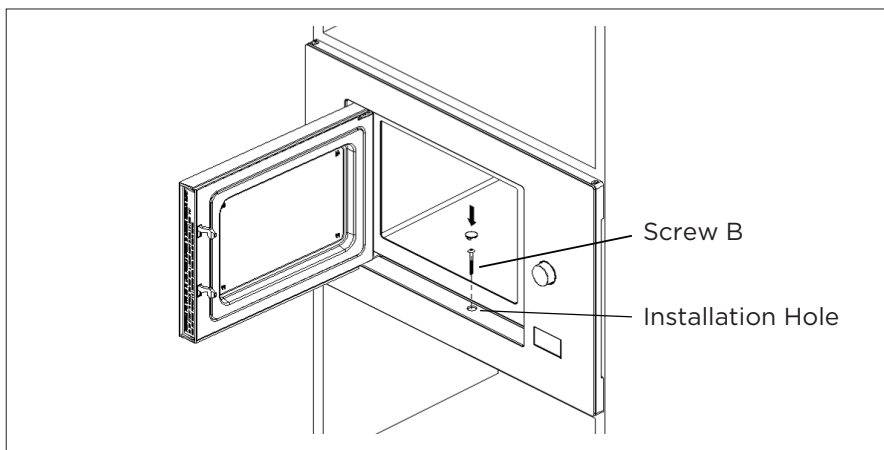
INSTALLATION (CONTINUED)

Installing the oven

1. Insert the oven into the cabinet, making sure the back of the oven is locked by the mounting plate. Do not trap or kink the power cord.



2. Open the door and fix the oven to the cabinet with Screw B, at the installation hole. Then fix the Trim-kit plastic cover to the installation hole.



This document sets out the terms and conditions of the product warranties for Westinghouse Appliances. It is an important document. Please keep it with your proof of purchase documents in a safe place for future reference should there be a manufacturing defect in your Appliance. This warranty is in addition to other rights you may have under the Australian Consumer Law.

1. In this warranty:

- (a) 'ACL' or 'Australian Consumer Law' means Schedule 2 to the Competition and Consumer Act 2010;
- (b) 'Appliance' means any Electrolux product purchased by you and accompanied by this document;
- (c) 'ASC' means Electrolux's authorised serviced centres;
- (d) 'Westinghouse' is the brand controlled by Electrolux Home Products Pty Ltd of 163 O'Riordan Street, Mascot NSW 2020, ABN 51 004 762 341 in respect of Appliances purchased in Australia and Electrolux (NZ) Limited (collectively "Electrolux") of 3-5 Niall Burgess Road, Mount Wellington, in respect of Appliances purchased in New Zealand;
- (e) 'Warranty Period' means the period specified in clause 3 of this warranty;
- (f) 'you' means the purchaser of the Appliance not having purchased the Appliance for re-sale, and 'your' has a corresponding meaning.

2. Application: This warranty only applies to new Appliances, purchased and used in Australia or New Zealand and is in addition to (and does not exclude, restrict, or modify in any way) other rights and remedies under a law to which the Appliances or services relate, including any non-excludable statutory guarantees in Australia and New Zealand.

3. Warranty Period: Subject to these terms and conditions, this warranty continues for in Australia for a period of 12 months and in New Zealand for a period of 12 months, following the date of original purchase of the Appliance.

4. Repair or replace warranty: During the Warranty Period Electrolux or its ASC will not service the Appliance. If the Appliance is defective, you should return the Appliance to the place of purchase for a replacement. You agree that any replaced Appliances or parts become the property of Electrolux.

5. Travel and transportation costs: Subject to clause 7, Electrolux will bear the reasonable cost of transportation, travel and delivery of the Appliance to and from Electrolux or its ASC. Travel and transportation will be arranged by Electrolux as part of any valid warranty claim.

6. Proof of purchase is required before you can make a claim under this warranty.

7. Exclusions: You may not make a claim under this warranty unless the defect claimed is due to faulty or defective parts or workmanship. This warranty does not cover:

- (a) light globes, batteries, filters or similar perishable parts;
- (b) parts and Appliances not supplied by Electrolux;
- (c) cosmetic damage which does not affect the operation of the Appliance;
- (d) damage to the Appliance caused by:
 - (i) negligence or accident;

- (ii) misuse or abuse, including failure to properly maintain or service;
- (iii) improper, negligent or faulty servicing or repair works done by anyone other than an Electrolux authorised repairer or ASC;
- (iv) normal wear and tear;
- (v) power surges, electrical storm damage or incorrect power supply;
- (vi) incomplete or improper installation;
- (vii) incorrect, improper or inappropriate operation;
- (viii) insect or vermin infestation;
- (ix) failure to comply with any additional instructions supplied with the Appliance;

In addition, Electrolux is not liable under this warranty if:

- (a) the Appliance has been, or Electrolux reasonably believes that the Appliance has been, used for purposes other than those for which the Appliance was intended, including where the Appliance has been used for any non-domestic purpose;
- (b) the Appliance is modified without authority from Electrolux in writing;
- (c) the Appliance's serial number or warranty seal has been removed or defaced.

8. How to claim under this warranty: To enquire about claiming under this warranty, please follow these steps:

- (a) carefully check the operating instructions, user manual and the terms of this warranty;
- (b) have the model and serial number of the Appliance available;
- (c) have the proof of purchase (e.g. an invoice) available;
- (d) telephone the numbers shown below.

9. Australia: For Appliances and services provided by Electrolux in Australia: Electrolux goods come with guarantees that cannot be excluded under the Australian Consumer Law. You are entitled to a replacement or refund for a major failure and for compensation for any other reasonably foreseeable loss or damage. You are also entitled to have the Appliance repaired or replaced if the Appliance fails to be of acceptable quality and the failure does not amount to a major failure. 'Acceptable quality' and 'major failure' have the same meaning as referred to in the ACL.

10. New Zealand: For Appliances and services provided by Electrolux in New Zealand, the Appliances come with a guarantee by Electrolux pursuant to the provisions of the Consumer Guarantees Act, the Sale of Goods Act and the Fair Trading Act. Where the Appliance was purchased in New Zealand for commercial purposes the Consumer Guarantee Act does not apply.

11. Confidentiality: You accept that if you make a warranty claim, Electrolux and its agents including ASC may exchange information in relation to you to enable Electrolux to meet its obligations under this warranty.

Important Notice

Before calling for service, please ensure that the steps listed in clause 8 above have been followed.

AUSTRALIA	FOR SERVICE or to find the address of your nearest authorised service centre in Australia PLEASE CALL 13 13 49 <small>For the cost of a local call</small>	FOR SPARE PARTS or to find the address of your nearest spare parts centre in Australia PLEASE CALL 13 13 50 <small>For the cost of a local call</small>
NEW ZEALAND	FOR SERVICE or to find the address of your nearest authorised service centre in New Zealand PLEASE CALL 0800 10 66 10	FOR SPARE PARTS or to find the address of your nearest spare parts centre in New Zealand PLEASE CALL 0800 10 66 20

For more information on all Westinghouse appliances, or for dimension and installation information, call into your retailer, phone or email our customer care team or visit our website:

AUSTRALIA

phone: 13 13 49

email: customercare@electrolux.com.au

web: westinghouse.com.au


NEW ZEALAND

phone: 0800 10 66 10

email: customercare@electrolux.co.nz

web: westinghouse.co.nz

Westinghouse. We are part of the Electrolux family.
Share more of our thinking at electrolux.com

 and WESTINGHOUSE are trademarks of Westinghouse Electric Corporation.
Used under license. All Rights Reserved.

© 2019 Electrolux Home Products Pty Ltd.
ABN 51 004 762 341
WMAN_Microwave_WMB2522SC_Oct19