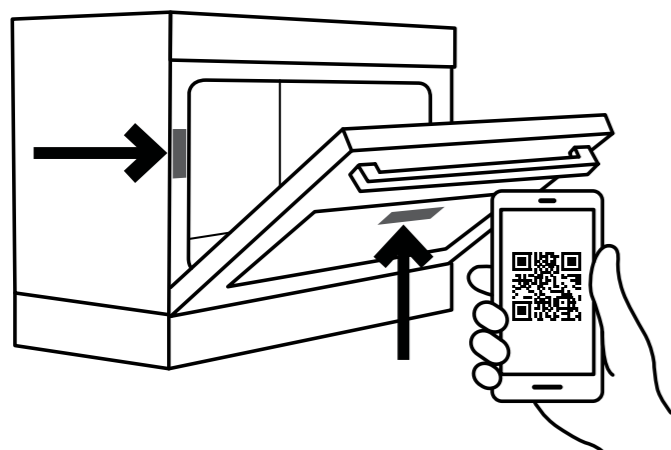


**Enjoy peace of mind.
Register your appliance today.**

Stay updated on better living services, safety notices and shop for accessories.

- 1. Open the camera app on your smartphone and point at the QR code to scan**
Product Registration QR code is located on the front of your appliance or inside the door rim*.



- 2. Tap the notification or link to open the registration form**
- 3. Complete your details and enjoy peace of mind**

*Exact location of QR code may vary depending on oven model



Need more help?

To access your detailed user manual online, simply scan the QR code on your smart phone. If you prefer a printed manual, please contact our Customer Care Centre using details below.



Contact us if you need more help

Electrolux Home Products Australia

telephone: 13 13 49
email: customercare@electrolux.com.au
web: electrolux.com.au

Electrolux Home Products New Zealand

telephone: 0800 436 245
email: customercare@electrolux.co.nz
web: electrolux.co.nz

Dear Customer,

Thank you for purchasing a Westinghouse appliance. You have chosen a product that comes from a history of durable and reliable products loved by many families. We look to help you make the most of your time at home, so you can spend your time doing what you really love, with the ones you love.

Welcome to Westinghouse.

Ready



This is a Quick Start Guide. Please refer to user manual online for detailed information and installation

To access your detailed user manual online, simply scan the QR code on your smart phone.

For more detailed information and installation guide refer to user manuals at westinghouse.com.au/manuals

Before you start, please make sure:

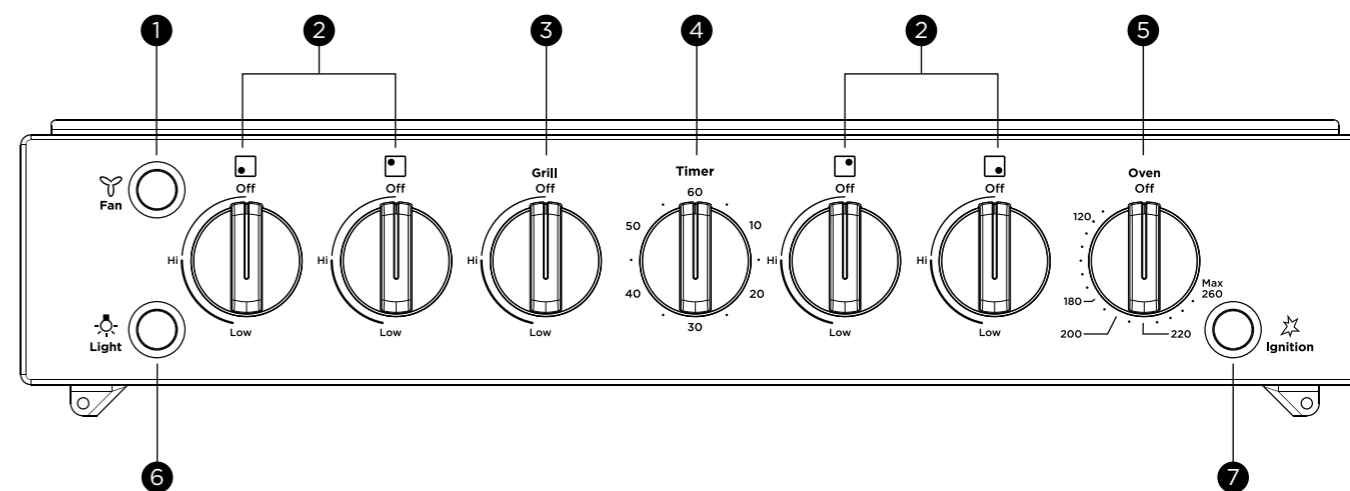
- Your cooker has been correctly installed by a qualified person.
- Your cooker has power and is switched on.
- You've removed all relevant packaging.



Most of the packaging materials can be recycled. Please dispose of them at your local recycling centre or in your own recycling bin.

Set...

Get to know the control panel:



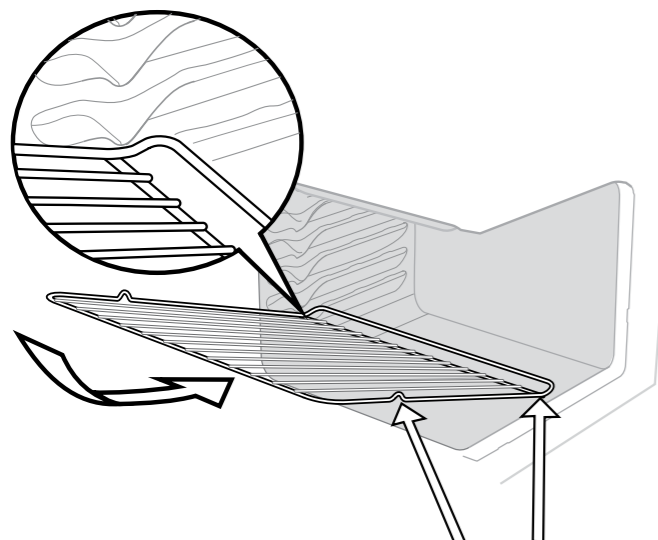
- | | | |
|---|--|-------------------------------------|
| 1 Fan switch | 4 60 minute timer | 6 Light switch |
| 2 Burner control knob | 5 Oven temperature control knob | 7 Electronic ignition switch |
| 3 Grill temperature control knob | | |

Set...

Installing the accessories

Fitting the oven shelves

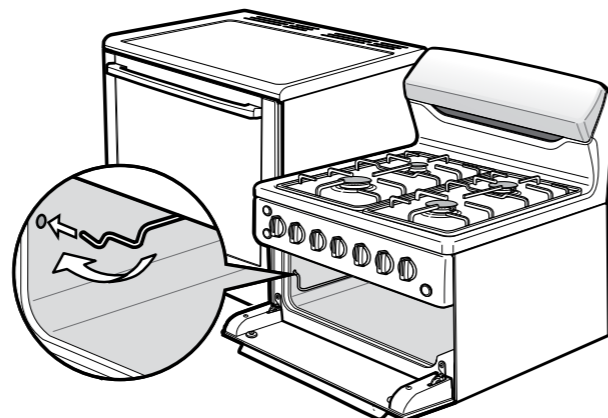
1. Ensure shelf orientation is correct (refer to diagram below).
2. Slide oven shelves onto oven supports (side runners) at an angle until raised back of shelf is past the stop on oven supports (side runners).
3. Lower front of shelf and push in until stop is reached.
4. To remove oven shelves, withdraw to the stop and raise the front of shelf to clear the stop.



Note the orientation of the side and rear features

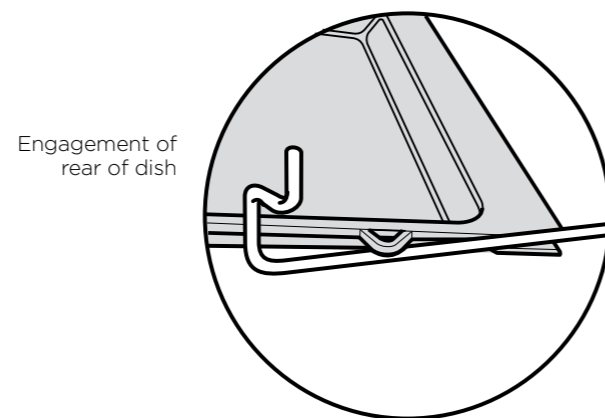
Fitting the grill dish supports

Insert the ends of the supports into the holes and swing downwards.



Fitting the grill dish

Ensure rear of the dish is engaged with the side support before sliding backwards. To remove simply pull forwards and upwards.



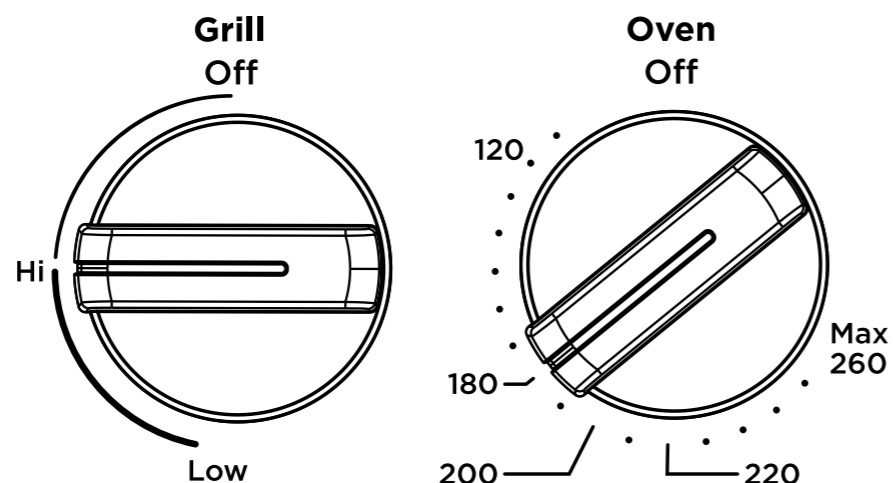
Engagement of rear of dish

Condition the oven

(to burn off any residue)

New appliances can have oil or residue left from manufacturing. You will need to heat your oven for 30 minutes before using it for the first time.

1. Using the oven control knob, set the oven at 180°C for approximately 30 minutes. Later, run the grill on 'Hi' for 15 minutes with the grill door open. Please ensure the room is well ventilated during this process.



Go!

You're ready to use your new Westinghouse appliance. A few tips from us:

- Remember to pre-heat each time.**

For best cooking results pre-heat the oven. Pre-heating allows the oven to reach the required temperature quickly and efficiently as well as cook food at the correct temperature for the entire cook time. Recommended pre-heat time is 30 minutes for baking and 3 minutes for grilling.

Lighting gas hotplate, grill and oven

Electronic ignition with flame safeguard

This hob is fitted with mains powered electronic ignition. When the appliance has been connected and the power is on, depressing the ignite button will release sparks to all burners.

To light a burner, depress the corresponding knob fully and while continuing to depress the knob for approximately 5 seconds, turn it anti-clockwise to the 'Hi' position. The flame sensor must warm up in order for the flame to stay alight.

The knob may be released once the flame is established, and turned further anti-clockwise to reduce the flame height as desired.

- Before releasing the knob, ensure the knob is fully depressed.
- If the flame goes out when the knob is released, simply repeat the ignition procedure again.

Grill Ignition - Electronic

While pressing the electronic ignitor switch, depress the corresponding knob fully and while continuing to depress the knob for approximately 5 seconds, turn it anti-clockwise to 'Hi' position. The flame sensor must warm up in order for the flame to stay alight.

Oven Ignition - Electronic

While pressing the electronic ignitor switch, push, turn, and hold the oven temperature control knob to the desired temperature. Hold the temperature control knob in for 15 seconds after ignition.

- Choose the right program for the best result:**

OVEN In a fan forced oven electric oven, the heat comes from the rear oven element. Hot air is distributed by a fan behind the rear wall of the compartment, providing an even temperature on all shelf levels - perfect for multi-level cooking or reheating entire meals for your family.

GRILL When it comes to cooking tender cuts of meat, steak, chops, sausages, fish, cheese toasties and other quick cooking foods, the grill setting will give you the best results. Pre-heating your grill for 3 minutes will help in sealing in the natural juices of the food for better flavour. For separate grill models, grill with the grill door open.

Refer to your full user manual for more details on oven functions.

- Set your temperature**

- To set the temperature, turn the grill/oven knob in an anti-clockwise direction to the desired setting.
- Once the food is cooked, turn the temperature selector back in a clockwise direction.

- Set a Timer**

- The 60 minute timer (where fitted) sets a reminder time.
- When the timer returns to zero, the timer will give a short ring.

NOTE: For any time below 15 minutes, turn knob past 15 minutes, then back to required time setting.