

EN

Installation Instruction



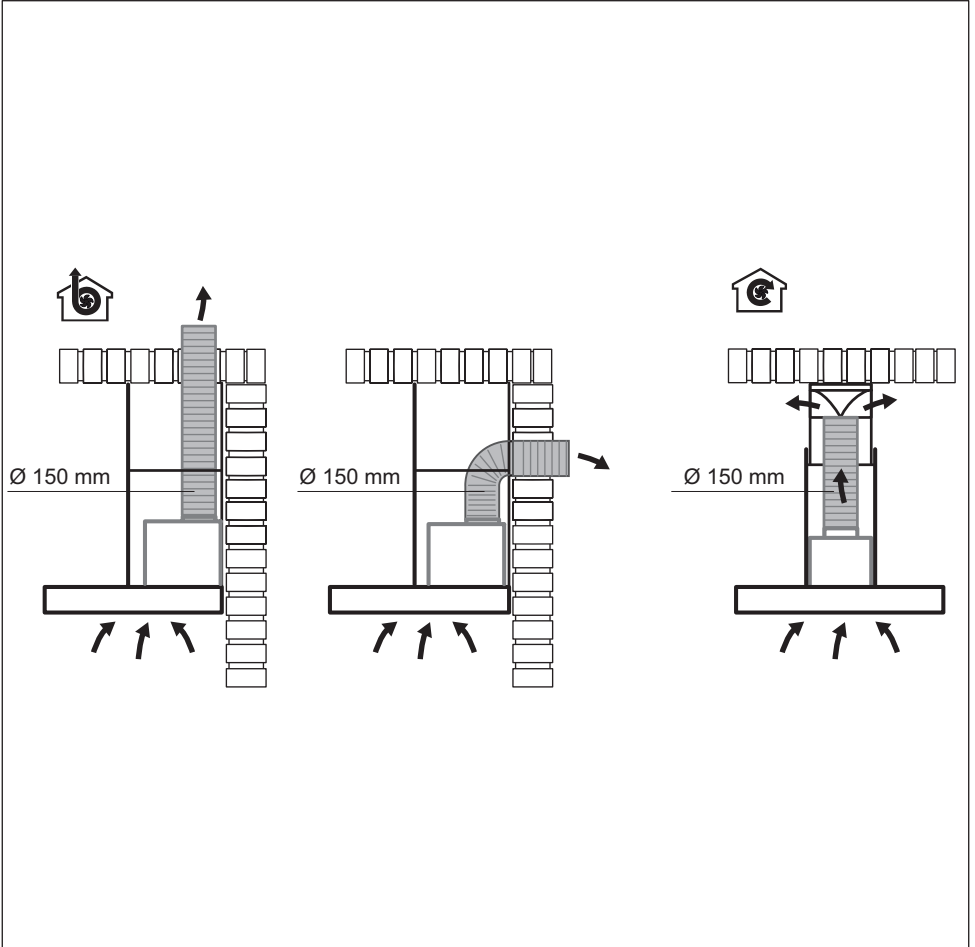
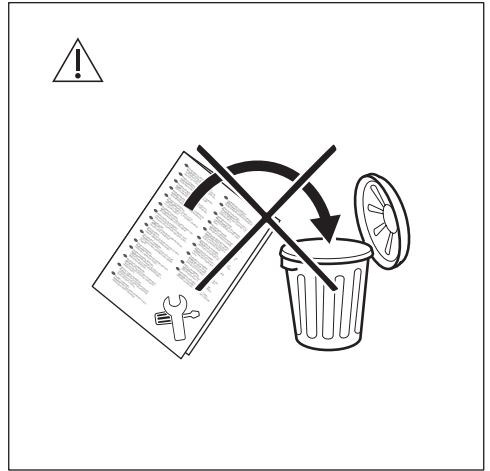
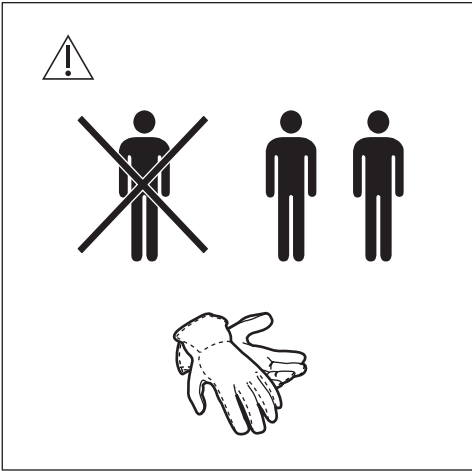


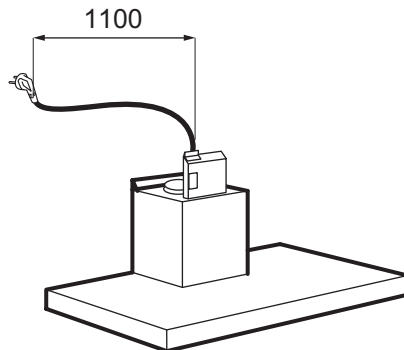
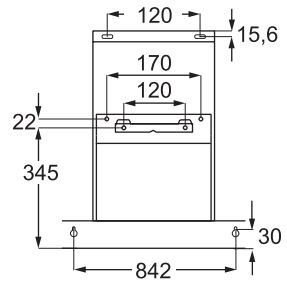
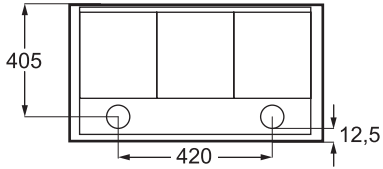
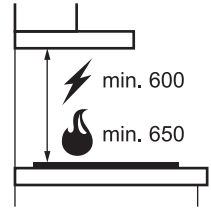
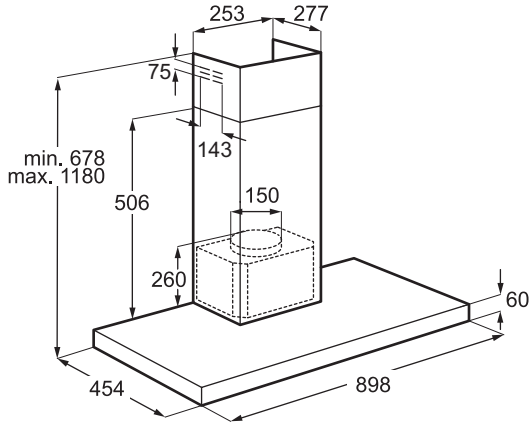
Warning! Before proceeding with installation, read the Safety Warnings in the User Manual.

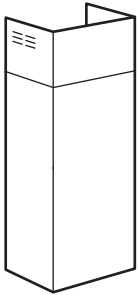
Warning! Failure to install the screws or fixing device in accordance with these instructions may result in electrical hazards.

IMPORTANT INFORMATION

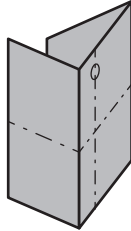
These instructions should be read in conjunction with the user manual. Adherence to the directions for use in the user manual is extremely important for health and safety. Failure to strictly adhere to the requirements in the user manual may result in personal injury, property damage and affect your ability to make a claim under the manufacturer's warranty provided with your product. Products must be used, installed and operated in accordance with the user manual.







1x



1x



1x



1x



1x



1x



1x



8x

Ø 4,8 x 38mm



8x

Ø 8



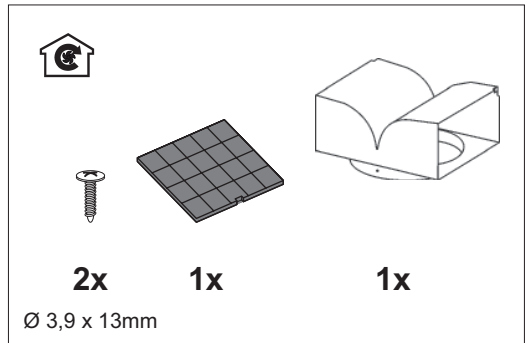
2x

Ø 3,9 x 6mm



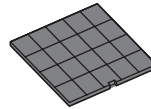
2x

Ø 3,9 x 9,5mm



2x

Ø 3,9 x 13mm



1x



1x



Ø 150 mm



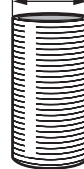
1x



2x



Ø 150 mm

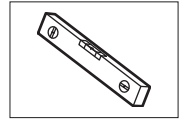
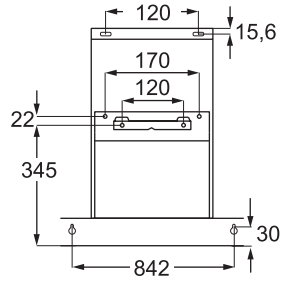
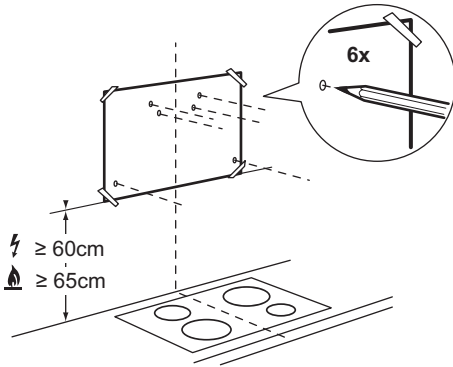


1x

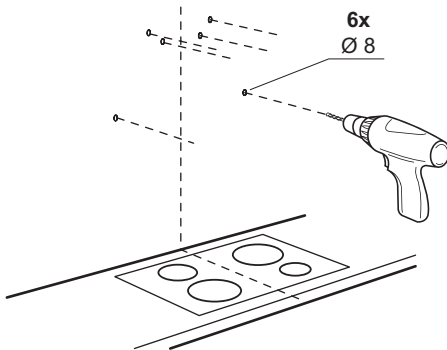


1x

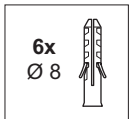
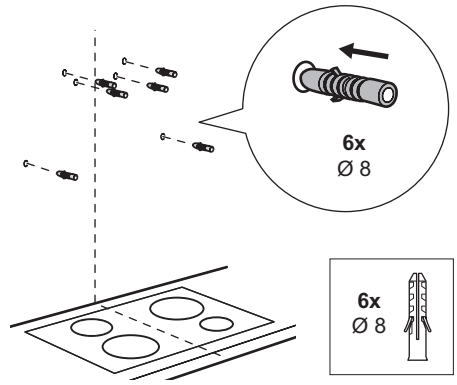
1.



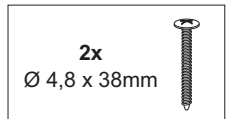
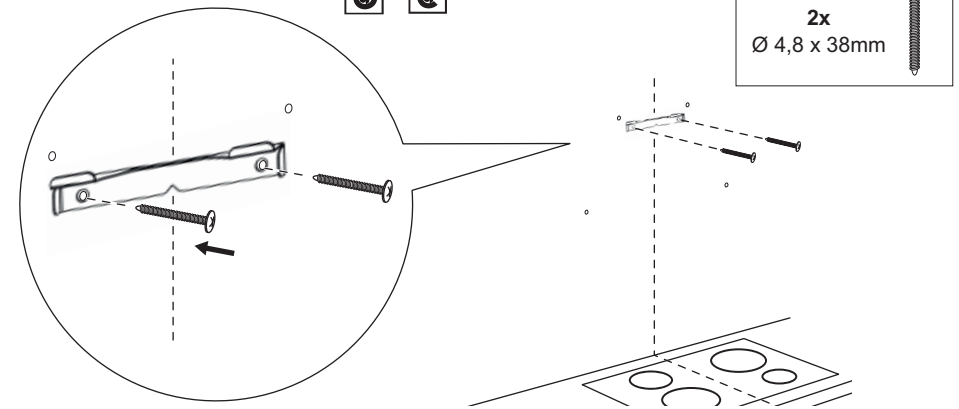
2.



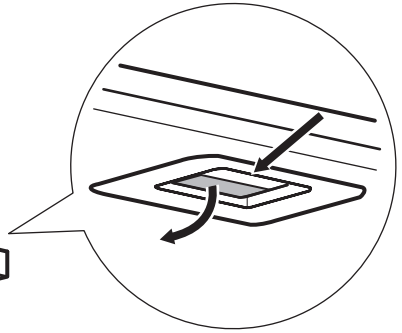
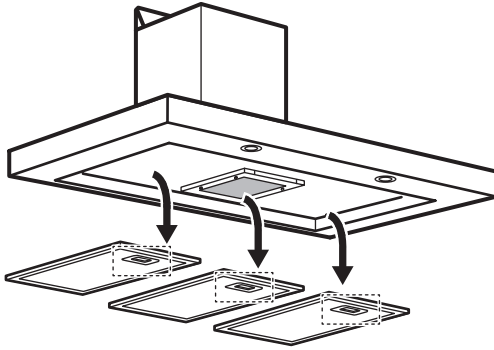
3.



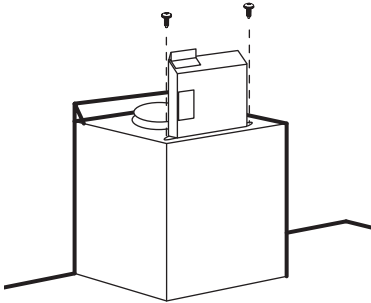
4.



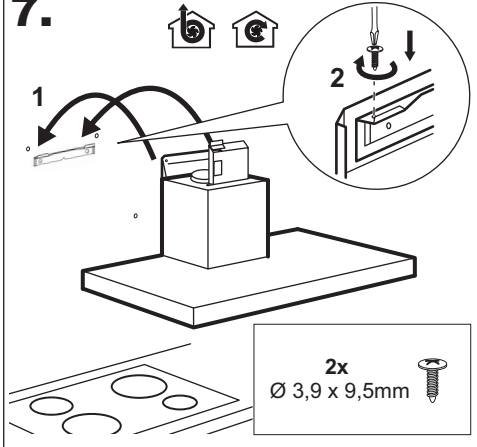
5.



6.

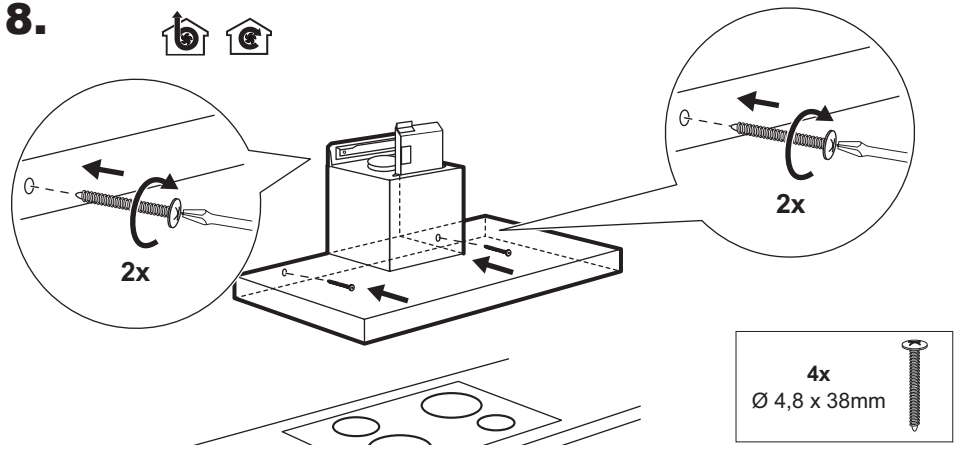


7.



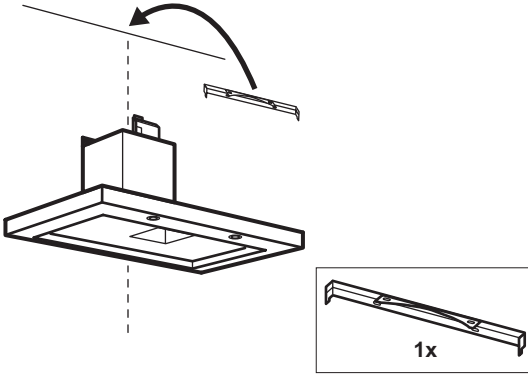
2x
Ø 3,9 x 9,5mm

8.



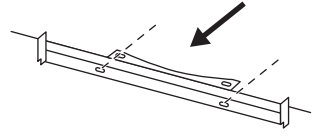
4x
Ø 4,8 x 38mm

9.

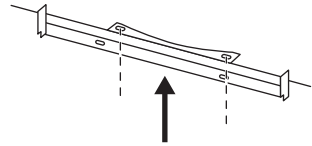


A

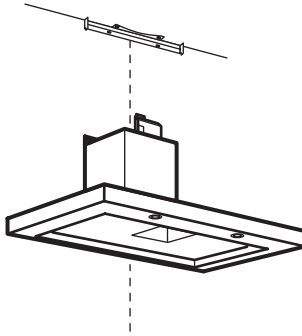
i



B

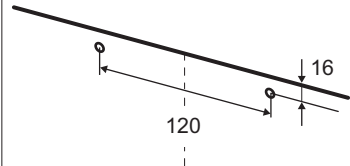


9.A.

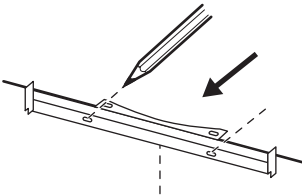


i

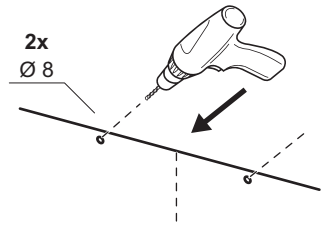
A



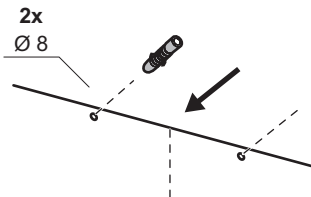
1.



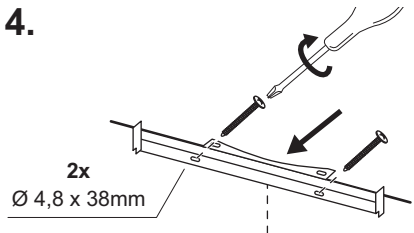
2.



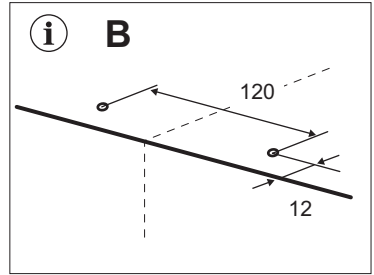
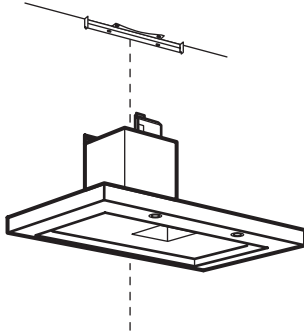
3.



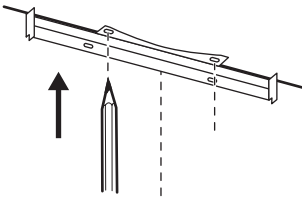
4.



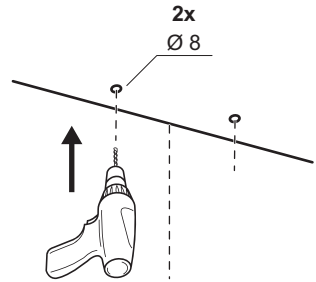
9.B.



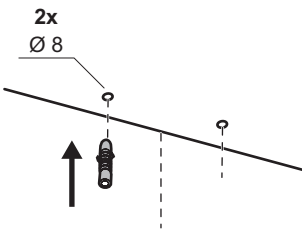
1.



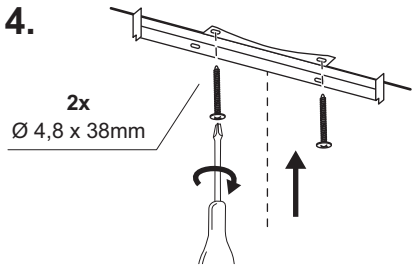
2.



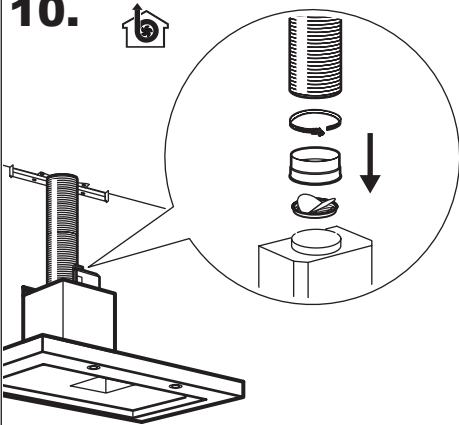
3.



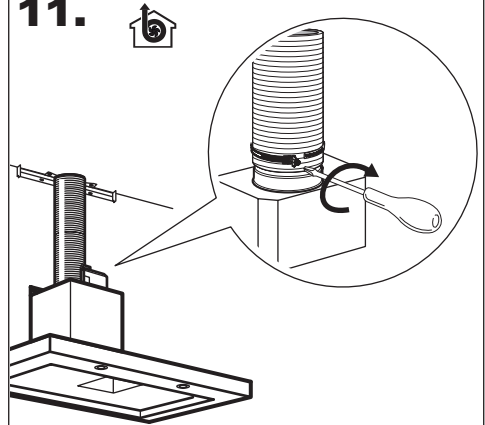
4.



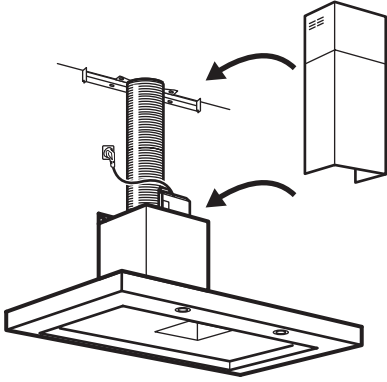
10.



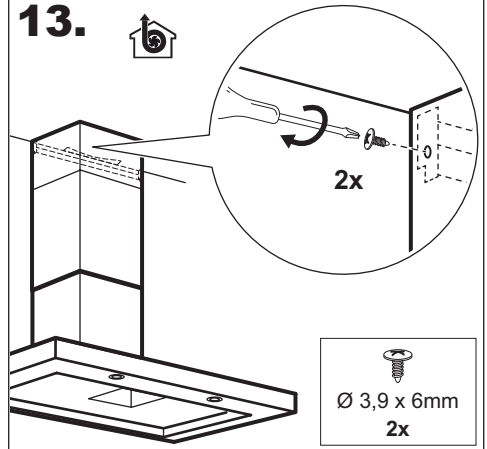
11.



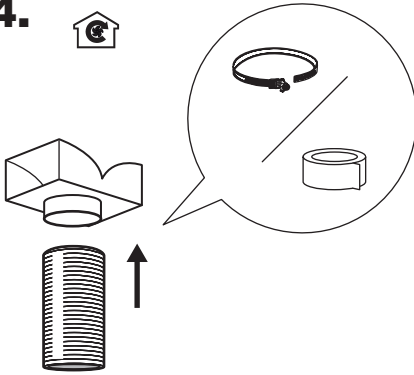
12.



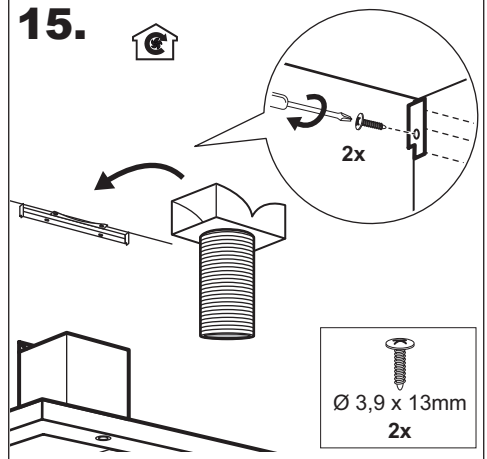
13.



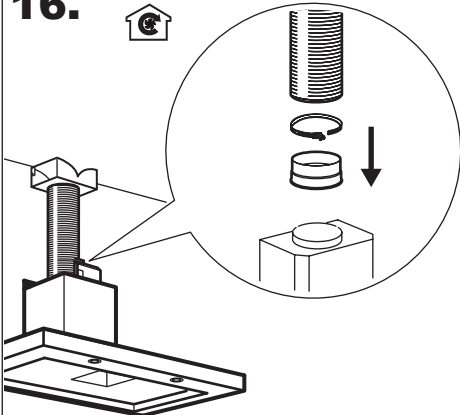
14.



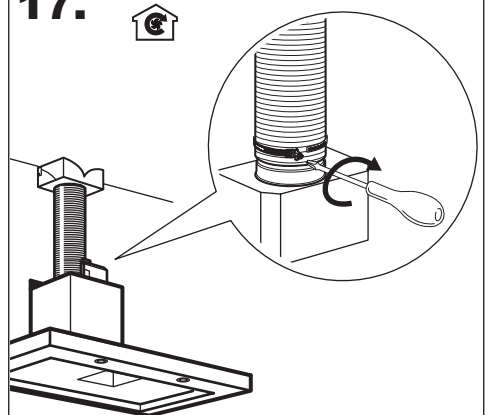
15.



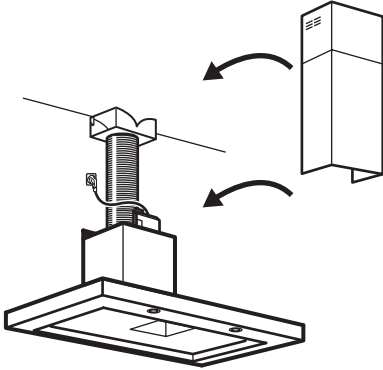
16.



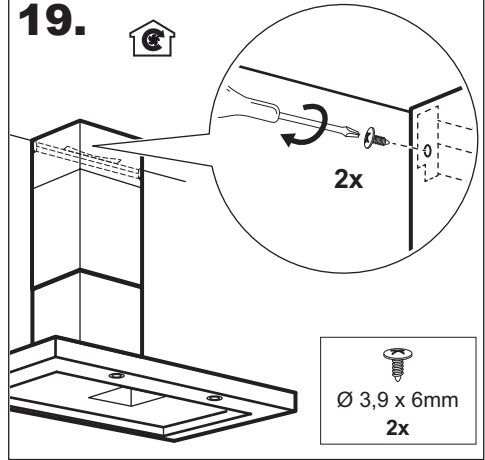
17.



18.



19.



20.

