

CANOPY RANGEHOOD

WRCG930SB, WRCG940SB

CONGRATULATIONS

Dear customer,

Congratulations and thank you for choosing our canopy rangehood. We are sure you will find your new rangehood a pleasure to use. Before you use your rangehood, we recommend that you read through the whole user manual, which provides the description of the rangehood and its function.

To avoid the risks that are always present when you use an electrical appliance it is important that the canopy rangehood is installed correctly and that you read the safety instructions carefully to avoid misuse and hazards. We recommend that you keep this instruction booklet for future reference and pass it on to any future owners. After unpacking the canopy rangehood please check it is not damaged. If in doubt, do not use the appliance but contact your local Electrolux Service Centre.

Conditions of use

This appliance is intended to be used in household and similar applications such as:

- Staff kitchen areas in shops, offices and working environments
- Farm houses
- By clients in hotels, motels and other residential type environments
- Bed and breakfast type environments
- Catering and similar non-retail applications

Please ensure you read the instruction manual fully before you call for service, or a full service fee could be applicable.

Record model and serial number here:

Model number:.....

Serial number:.....

PNC:.....

CONTENTS

Important safety instructions.....	3
Product description.....	5
Rangehood dimensions.....	6
Installation.....	8
Using your rangehood.....	13
Care & maintenance.....	13
Troubleshooting.....	14
Optional ducting accessories.....	16
Warranty.....	19

Please read the user manual carefully and store in a handy place for later reference.

The symbols you will see in this booklet have these meanings:



WARNING

This symbol indicates information concerning your personal safety.



CAUTION

This symbol indicates information on how to avoid damaging the appliance.



IMPORTANT

This symbol indicates tips and information about use of the appliance.



ENVIRONMENT

This symbol indicates tips and information about economical and ecological use of the appliance.

IMPORTANT INFORMATION THAT MAY IMPACT YOUR MANUFACTURER'S WARRANTY

Adherence to the directions for use in this manual is extremely important for health and safety. Failure to strictly adhere to the requirements in this manual may result in personal injury, property damage and affect your ability to make a claim under the Westinghouse manufacturer's warranty provided with your product. Products must be used, installed and operated in accordance with this manual. You may not be able to claim on the Westinghouse manufacturer's warranty in the event that your product fault is due to failure to adhere this manual.

IMPORTANT SAFETY INSTRUCTIONS

This manual explains the proper use of your new Westinghouse canopy rangehood. Please read this manual carefully before using the product. This manual should be kept in a safe place for handy reference. This canopy rangehood is a domestic appliance which has been manufactured and tested to comply with Australian and New Zealand Standard AS/NZS 60335.2.31.



IMPORTANT

Important – check for any damages or marks

If you find the rangehood is damaged or marked, you must report it within 7 days if you wish to claim for damage/marks under the manufacturers warranty. This does not affect your statutory rights.

Unpacking

Check that the cooker hood has no damage. Transportation damage should immediately be reported to the company responsible for the transportation. Damage, faults and missing details should immediately be reported to the retailer. Take care of the packing materials so that small children cannot play with them



ENVIRONMENT

Information on disposal for users

- Most of the packing materials are recyclable. Please dispose of those materials through your local recycling depot or by placing them in appropriate collection containers.
- If you wish to discard this product, please contact your local authorities and ask for the correct method of disposal.



WARNING

These warnings have been provided in the interest of safety. You **MUST** read them carefully before installing or using the appliance.

- The appliance must be plugged into its own dedicated 220-240V, 50Hz AC electrical outlet.
- This appliance can be used by children aged from 8 years and above and persons with reduced physical, sensory or mental capabilities or lack of experience and knowledge if they have been given supervision or instruction concerning the use of the appliance in a safe way and understand the hazards involved. Children shall not play with the appliance. Cleaning and user maintenance shall not be made by children without supervision.
- This canopy rangehood is not recommended for barbecues and cannot be installed for external use.
- Grease filters must be removed every four weeks (maximum) for cleaning to reduce the risk of fire.
- The exhaust from the canopy rangehood must not be discharged into any heating flue, which may carry combustion products from other sources. (Fig 1)
- Exhaust air must not be discharged into a wall cavity, unless the cavity is designed for the purpose.
- There must be adequate ventilation of the room when the canopy rangehood is used at the same time as appliances burning gas or other fuels.
- Always cover lit gas burners with pots or pans when canopy rangehood is in use.
- Always switch off gas burners before you remove pots or pans.
- Do not leave lit gas burners exposed due to the risk of fire. (Fig 2)
- The hood must always be disconnected from the electricity supply before beginning any maintenance work.
- Failure to install the screws or fixing device in accordance with these instructions may result in electrical hazards.

Fig. 1

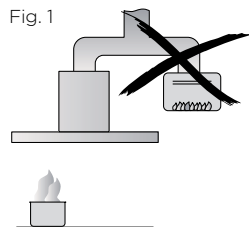
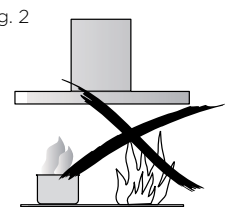


Fig. 2



IMPORTANT SAFETY INSTRUCTIONS (CONTINUED)

Electrical connection

Check that the mains voltage matches with the voltage on the data plate inside the canopy rangehood. Check that the installation complies with standards of local building, gas and electrical authorities. Before connecting to the mains supply ensure that the mains voltage corresponds to the voltage on the rating plate inside the cooker hood.

If the supply cord is damaged, it must be replaced by the manufacturer or its service agent or similarly qualified person in order to avoid a hazard.

Safety warnings - for the installer

When installing the cooker hood, make sure you adhere to the minimum and maximum distances from the cooker hood base to the hob surface (refer to page 8).

Exhaust flue installation: The following rules must be strictly followed to obtain optimal air extraction.

- Keep exhaust flue short and straight.
- Do not reduce the size or restrict exhaust flue. Keep bends in the exhaust flue to a minimum.
- When using flexible flue always install duct with helix pulled taut to minimise pressure loss.
- Failure to observe these basic instructions will drastically reduce the performance and increase the noise levels of the cooker hood.

Exhaust air must not be discharged into a wall cavity, unless the cavity is designed for that purpose. The exhaust from the cooker hood must not be discharged into any heating flue, which may carry combustion products from other sources.

NOTE: Some installations may require the telescopic exhaust cover to be cut to length. Cut with sharp tin snips or a fine-tooth hack saw blade, taking care not to distort or dent the exhaust cover.

PRODUCT DESCRIPTION

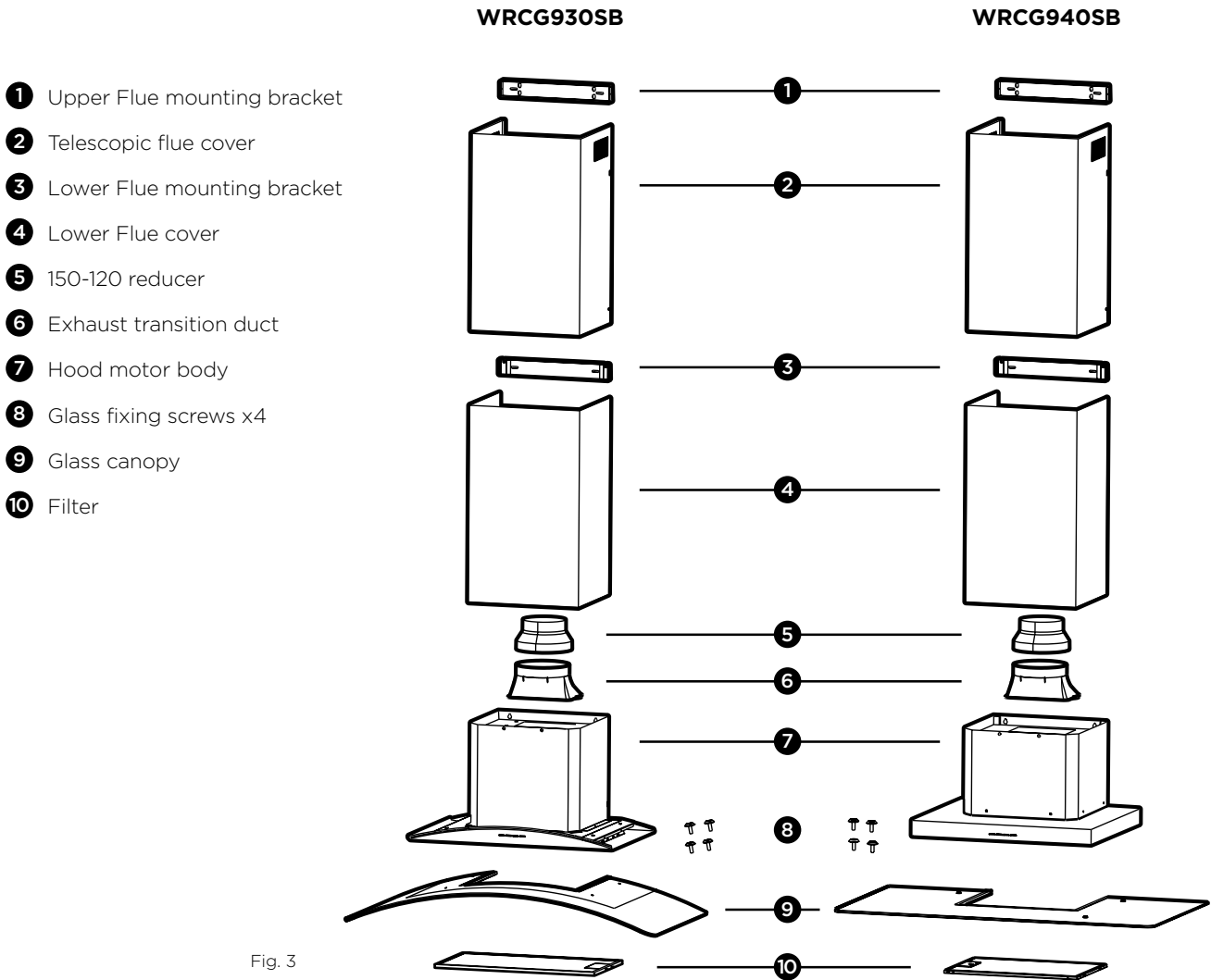


Fig. 3

Additional items required for installation

- Fixings required to attach rangehood body and anti tilt brackets
- Fixings required to attach flue cover mounting brackets
- Worm drive clamps, duct tape or cable ties
- Ducting accessories

Technical specification

- Power supply: 240 V 50 Hz. Connects to 10 A power point
- Lights: 2 x 4 watt, 240 V LED

MODEL	WRCG930SB	WRCG940SB
Height	730 mm - 1115mm	745 mm - 1130mm
Width	900mm	900mm
Depth	500mm	500mm
Max absorbed power	338 W	338 W
Lighting	2 x 4W LED (GU10 fitting)	2 x 4W LED (GU10 fitting)
Outlet diameter	150mm	150mm
Electrical connection	220 - 240V, 50Hz	220 - 240V, 50Hz

The manufacturer reserves the right to make technical changes.

RANGEHOOD DIMENSIONS

WRCG930SB

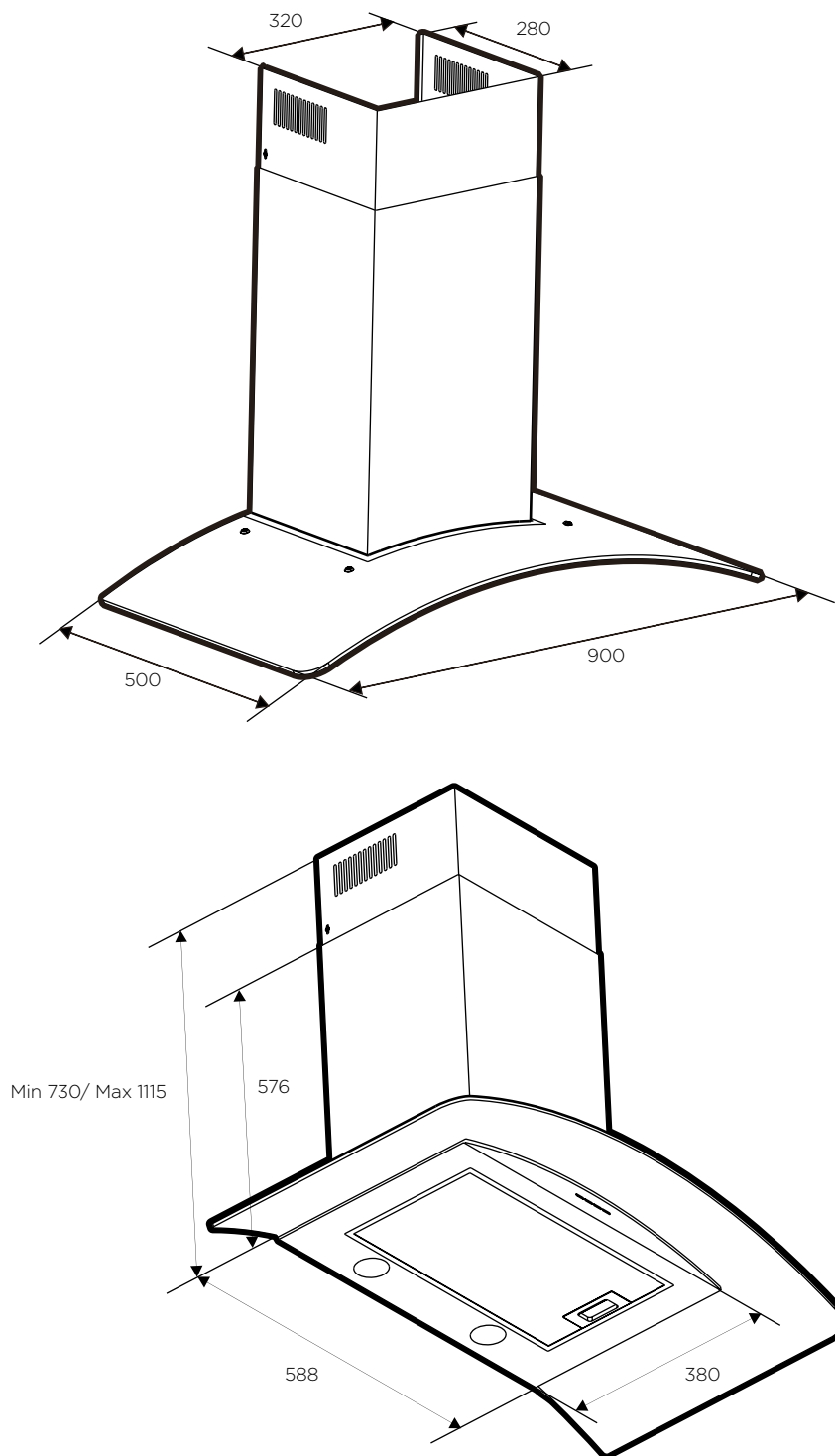


Fig. 4

WRCG940SB

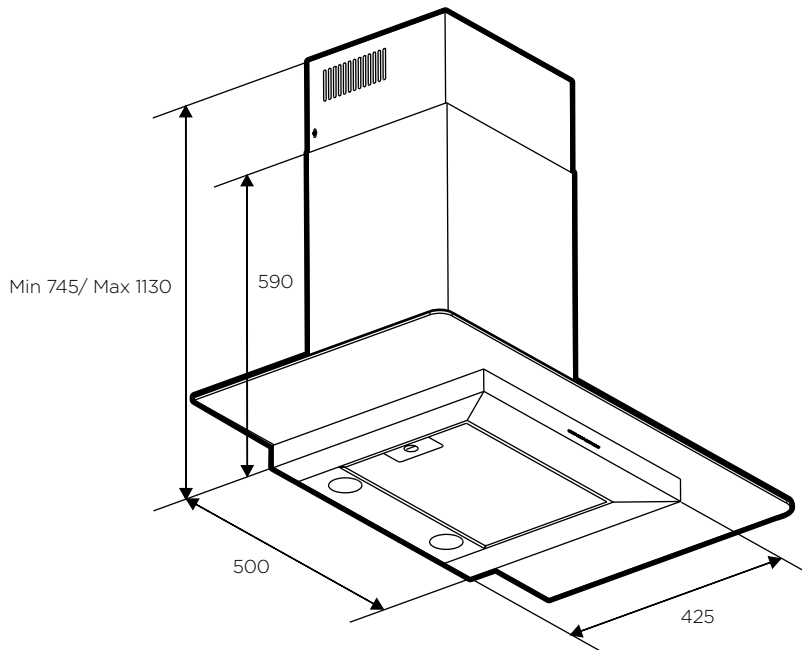
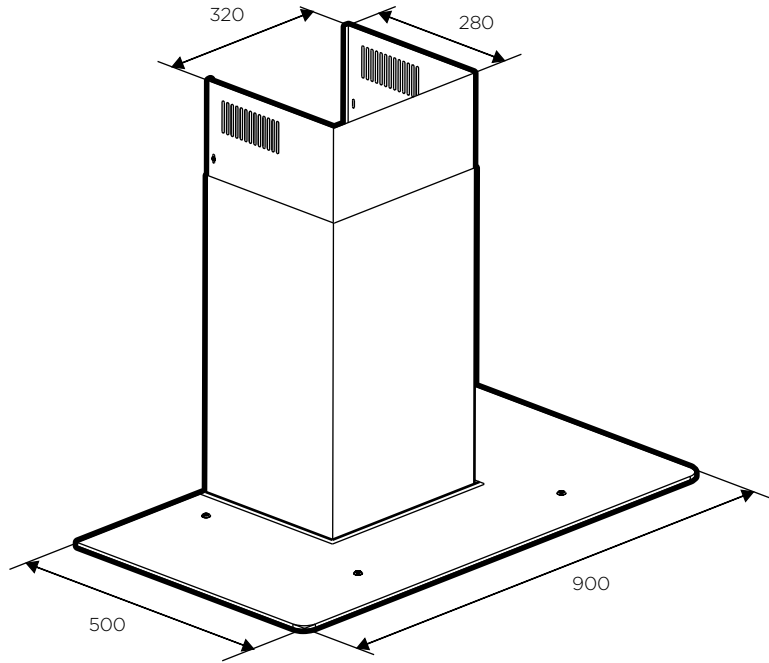


Fig. 5

INSTALLATION

Pre-installation

Before installing the cooker hood, peel off any protective coating.

Location

The hood is to be mounted on the wall. When installed, the hood must be not less than 60cm above electric burners or 65cm above gas or mixed-fuel burners.

DISTANCE FROM HOOD BASE TO TOP OF HOB		
HOB TYPE	MINIMUM*	MAXIMUM
Gas	650mm	800mm
Electric	600mm	800mm

* If the instructions of the hob specify a greater distance than the minimum above, then that shall be the minimum height for installation.

Installation

- Using a spirit level mark a vertical centre line on the wall where the hood is to be positioned, and a horizontal line at the hood base position. (See Fig. 4, or 5 for relevant model).

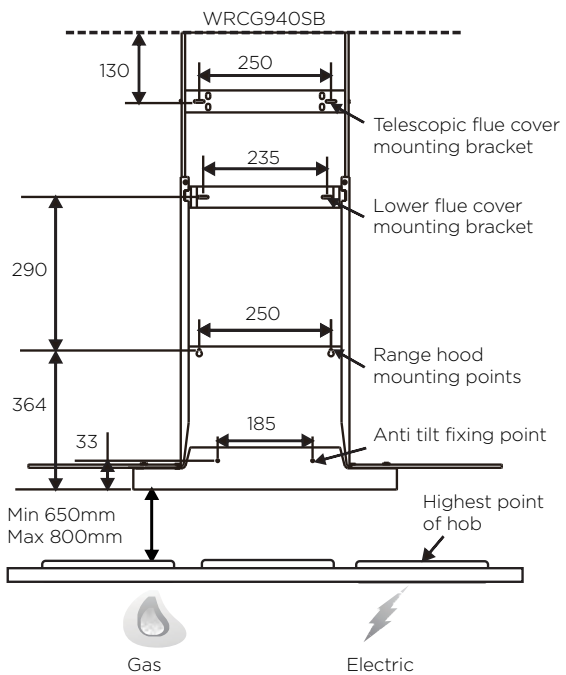
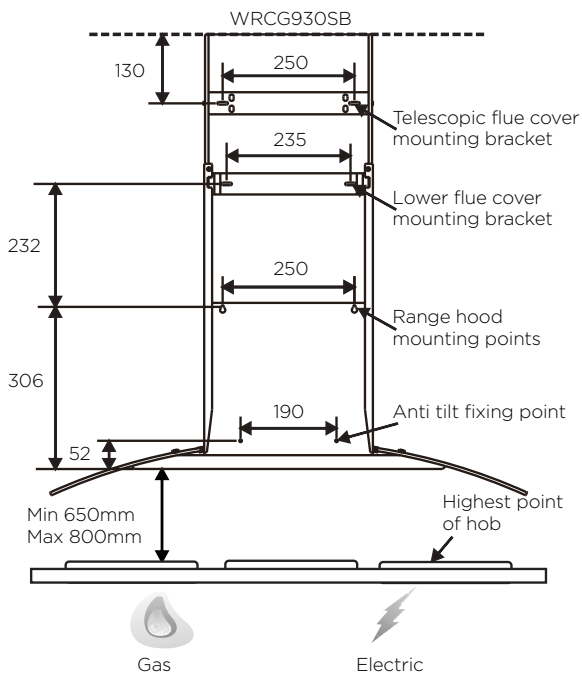
NOTE: The height of the underside of the hood body must be a minimum of 600mm to a maximum height of 800mm.*

*If the instructions of the hob specify a greater distance than the minimum above, then that shall be the minimum height for installation.

- Mark the location for the flue cover wall mounting brackets and rangehood mounting points and anti-tilt fixing points above the hood base using the hood base as a reference point

WARNING

Failure to install the screws or fixing device in accordance with these instructions may result in electrical hazards.



INSTALLATION

3. Install flue cover wall mounting brackets with suitable fixings. Install suitable screws for rangehood mounting points (to support a total weight of 30kg) to the wall as marked (Fig. 7)

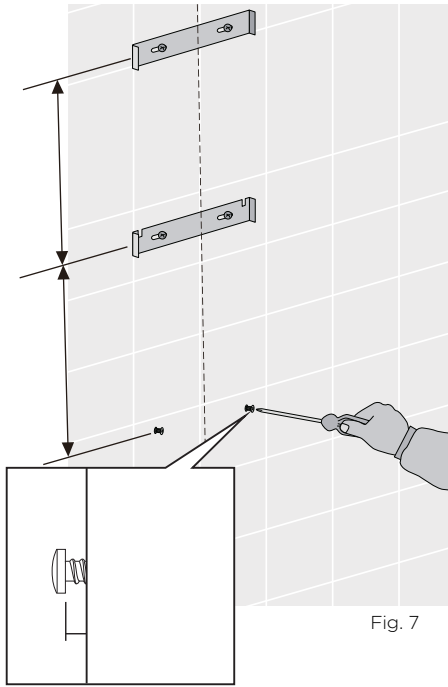


Fig. 7

4. Fix exhaust transition duct using screws supplied (Fig. 8)

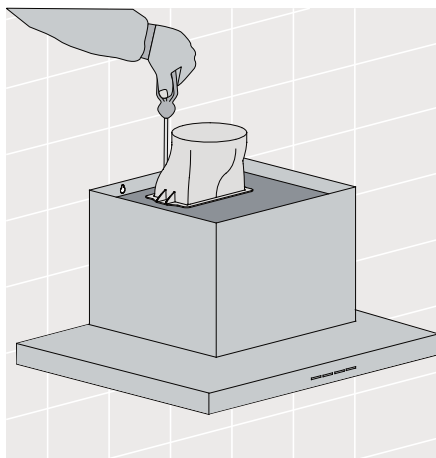


Fig. 8

5. Hang the body hood on the mounting screws then secure at the anti-tilt locations as indicated in Fig 9

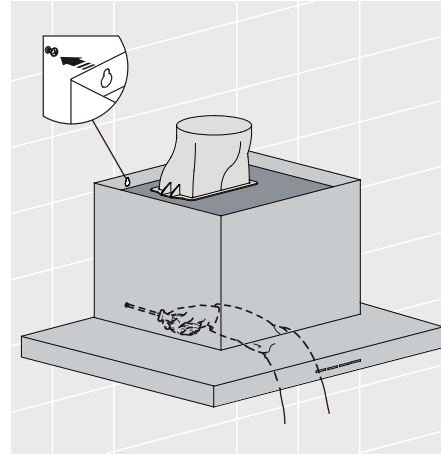


Fig. 9

6. Install flue pipe

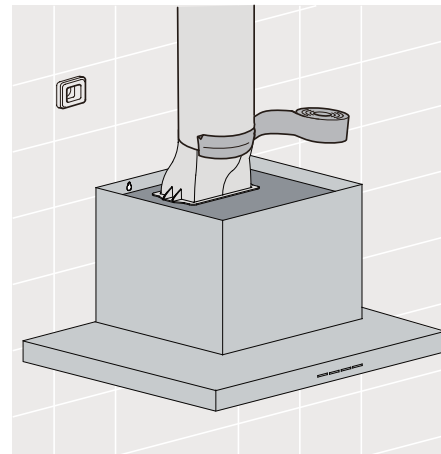


Fig. 10

INSTALLATION

7. Insert power cord to power outlet

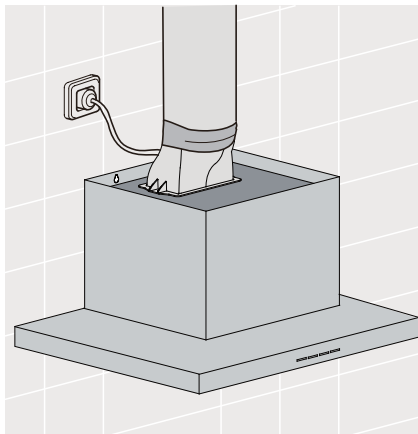


Fig. 11

9. Insure locking tab of lower flue cover to be bent before installing covers

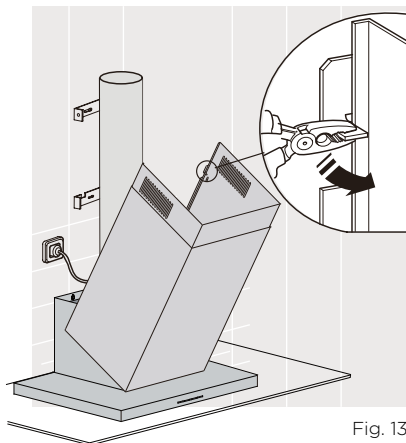


Fig. 13

8. Fix glass canopy

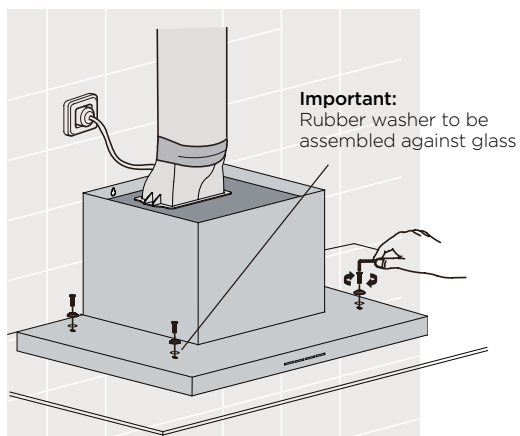


Fig. 12

10. Locate lower flue cover tab

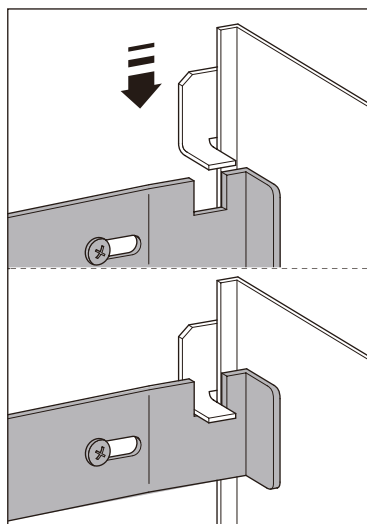


Fig. 14

INSTALLATION

11. Slide telescopic flue cover to upper position and fix with screws provided

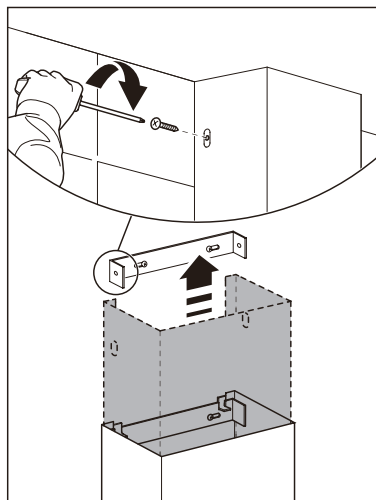


Fig. 15

13. Replace filter

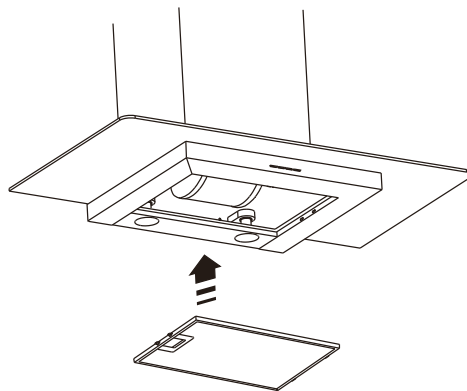


Fig. 17

12. Remove polystyrene packaging foam behind the fan motor.

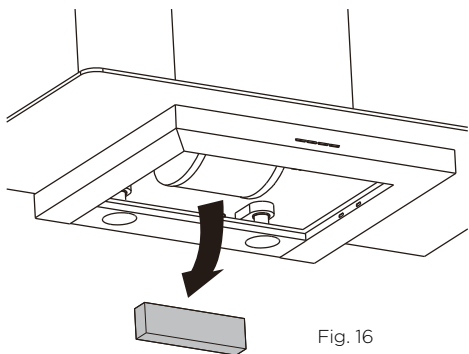


Fig. 16

INSTALLATION

Depending on the preferred installation/ducting mode, follow step 14a or 14b below.

- 14a. **Recirculating mode** (Fig. 18). Using the centre line, secure the recirculating T-piece to the wall with suitable screws/fixings (optional kit AR610RK). Install flexible pipe between T-piece and reducer.

Use cable ties or suitable duct tape to secure flexible pipe to T-piece and reducer (Fig. 20)

NOTE: When installed in recirculating mode, it is recommended to use carbon filters (included in recirculation kit AR610RK) to prevent odours being emitted back into the room.

- 14b. **Ducted mode** (Fig. 19) Fit a 150mm diameter non combustible flue pipe. Continue the centre line to the ceiling. Fit flue pipe to the exhaust transition duct. Use cable ties or suitable duct tape to secure flue pipe to the transition duct.

Note: For ducted mode we recommend to extend the flue pipe through the roof cladding (with appropriate flashing) to an external roof cowl, venting the exhaust externally.

Some States allow venting into the ceiling cavity, enquiries should be made with the local Government to ensure the installation complies with the regulations.

NOTE: To ensure optimum performance of the rangehood, the use of rigid ducting (optional AR150F) is recommended. The use of bends should be avoided. Rigid flexible ducting is suitable, although loose flexible ducting is unacceptable. All ducting must be fire retardant.

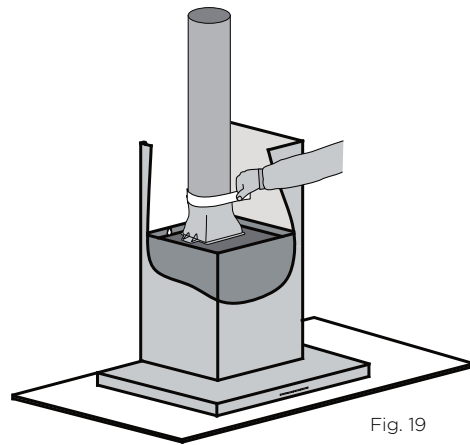


Fig. 19

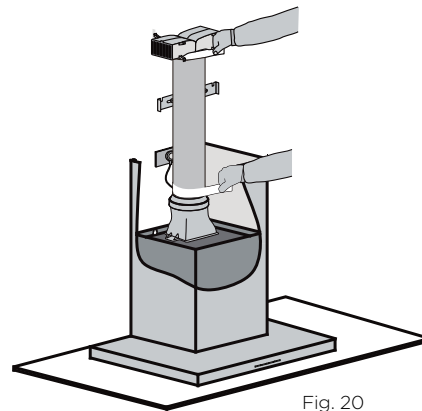


Fig. 20

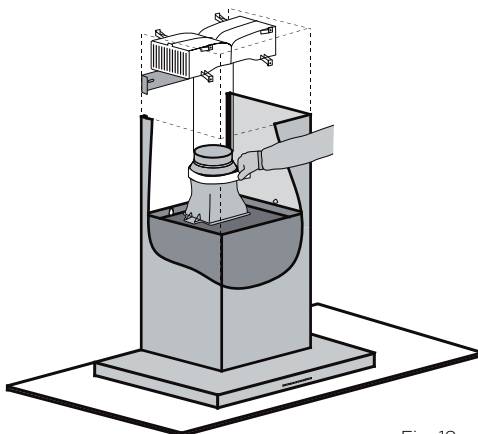
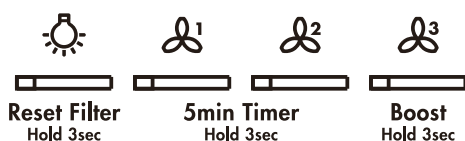


Fig. 18

USING YOUR RANGEHOOD

- Best results are obtained by using a low speed for normal conditions and a high speed when odours are concentrated.
- Turn the hood on for a few minutes before you start cooking.
- The hood should be left on for a minimum of 5 minutes after cooking or until all odours have dispersed.
- The control switches are located on the front panel of the unit. See below



Turning on/off the lamp

Press button to turn on the lamp, press once again to turn off the lamp.

Turning on/off the fan

Press any fan level button to turn on related fan level. Press once again to turn off the fan. Or press other fan level button to change the fan level.

Turbo function

When the range hood is working at fan level 3, press and hold the button for fan level 3 for 3S, then all fan level button will begin to twinkle and turn on turbo function. Turbo function will work for 5 Min and then step down to fan level 3. When turbo function is activated, press any fan level button will deactivate turbon function.

Delay end

When the range hood is working at fan level 1or fan level 2, press and hold relative button for 3S, then relative fan level button will begin to twinkle and activate delay end function.

After 5 Min, the range hood will be off automatically.

Filter check

When the motor on time reaches 50 hours, the light control button will twinkle when the range hood is on. Press and hold lamp control button to stop the twinkling and reset counting.

NOTE. This product is fitted with a safety cutout device. If the cooker hood is installed to close to the cooktop, flambe cooking, operating the cooktop without cooking utensils and blocked filters may activate the safety cutout device. If the hood stops during operation, correct the faults and allow time for the safety cutout device to reset, the cooker hood will then function correctly.

CARE & MAINTENANCE



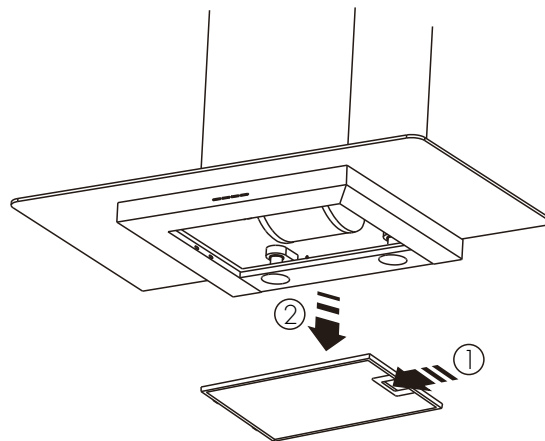
External surfaces are susceptible to scratches and abrasions, so please follow the cleaning instructions to ensure the best possible result is achieved without damage

Cleaning the hood

- Clean the outside of the hood using a damp cloth and a solution of water and mild washing up liquid. Clean stainless steel surfaces using non-abrasive cleaning products that are specifically for use on stainless steel. To ensure the best results also use an even pressure and follow the grain of the stainless steel. Use of a soft cloth reduces the risk of scratching. If the cloth is wet ensure that a dry soft cloth is used to wipe down the surface and apply stainless steel protector to reduce the risk of any surface rust appearing.
- Never use corrosive, abrasive or flammable cleaning products or products containing bleach.
- Never insert pointed objects in the motors protective grid.
- Only ever clean the switch panel and filter grill using a damp cloth and mild washing up liquid.
- It is extremely important to clean the unit and change the filters at the recommended intervals. Failure to do so will cause grease deposits that could cause a fire.

Removing the metal grease filters

- Push the grease filter and then pull it down and out.



CARE AND MAINTENANCE

Hand washing

Soak grease filters for about one hour in hot water with a grease-loosening cleaner, then rinse off thoroughly with hot water. Repeat the process if necessary. Refit the grease filters when they are dry.

Dishwasher

Place grease filters in the dishwasher. Select the most powerful washing program and highest temperature, at least 65°C. Repeat the process. Refit the grease filters when they are dry. When washing the metal grease filter in the dishwasher a slight discolouration of the filter can occur, this does not have any impact on its performance.

NOTE: The metal grease filters must be removed and washed, either by hand or in the dishwasher, every four weeks

- Clean the inner housing using warm water and grease loosening cleaner (never use caustic detergents, abrasive powders or brushes).

Charcoal filter

- The charcoal filter should only be used if you want to use the hood in the recirculation function.
- This filter cannot be cleaned or re-used and as a general rule, the activated charcoal filter should be changed once every four months.

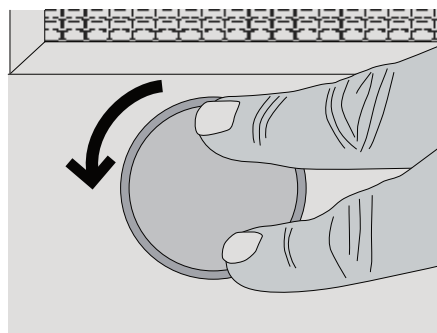
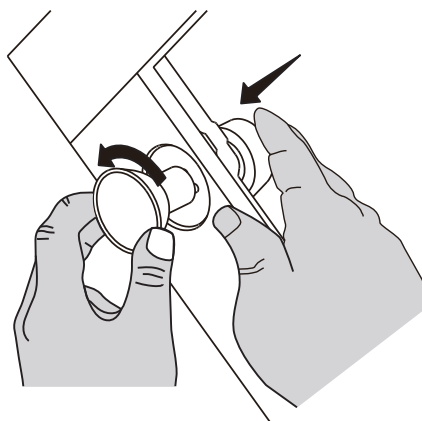
Fitting the charcoal filter

Fit one charcoal filter on the left and one on the right so as to cover the plastic grids that protect the fan wheel.

- Always specify the hood model code number and serial number when ordering replacement filters. This information is shown on the registration plate located on the inside of this unit.
- Replacement charcoal filters can be ordered from your local service centre.

Changing the LED lamps

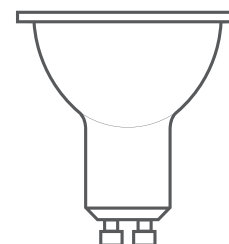
If LED lamps need replacing, they must be replaced by lamps as stated in the technical specifications.



Ensure that the appliance is switched off before carrying out maintenance to avoid any possibility of electric shock.

Suitable lamp for replacement

Lamp type: LED
Fixing type: GU10
Voltage: 220-240V AC
Power: 4W
Dimension: ø50mm
Part No. 69400980



TROUBLESHOOTING GUIDE

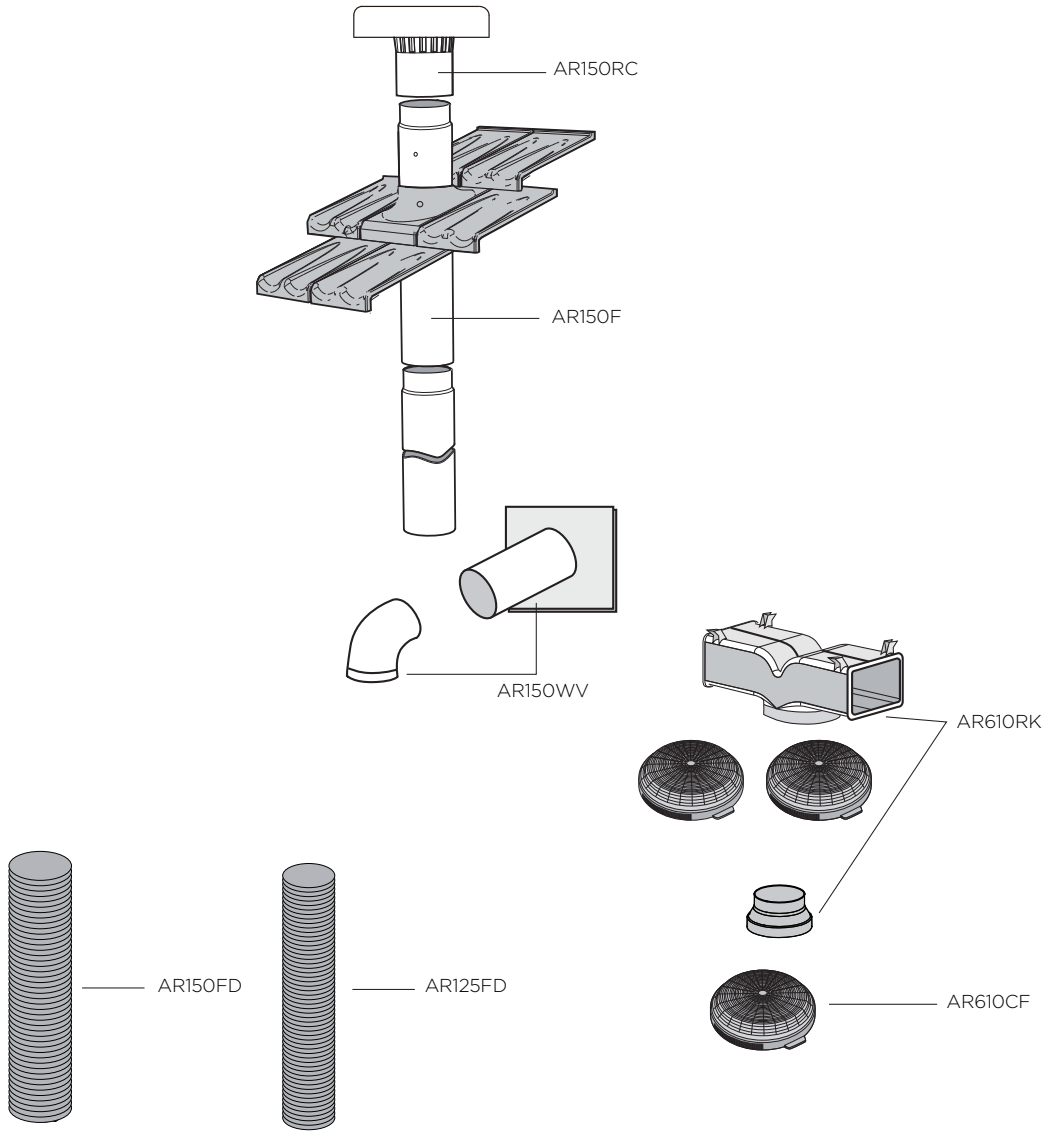
PROBLEM	WRCG930SB
The cooker hood will not start	Check that the hood is connected to an electrical supply
	Check that a fan speed has been selected
Max absorbed power	Check that the fan speed is set high enough for the task
	The grease filters are clean
	The kitchen is adequately vented to allow the entry of fresh air
	If set up for recirculation, check that the charcoal filter is still effective
	If set up for extraction, check that the ducting and outlets are not blocked
	Do not operate cooktop without pots/pans
The cooker hood has switched off during operation	Do not flambé under the cooker hood
	The safety cut-out device has been tripped – turn off the hob and wait for the device to reset. Check and clean filters. If the hood has been installed below the heights indicated in the installation instructions the motor will cut out frequently which will damage the hood.

If you have completed all of the above checks and are still experiencing difficulty, please contact your local Electrolux Service Centre.

NOTE: This product is fitted with a safety cutout device.

- If the cooker hood is installed too close to the cooktop, flame cooking, operating the cooktop without cooking utensils and blocked filters may activate the safety cutout device. If the hood stops during operation, correct the faults and allow time for the safety cutout device to reset, the cooker hood will then function correctly.
- Do not operate cooktop without pots/pans.
- Do not flambé under the cooker hood.

OPTIONAL DUCTING ACCESSORIES



PART NUMBERS	DESCRIPTION
AR150RC	150mm G/Bond Roof Cowl
AR150F	150mm G/Bond Flue 1200m
AR150WV	150mm Wall Vent & duct
AR610RK	Recirculating kit (150-120m reducer, T-piece & carbon filters)
AR610CF	Replacement carbon filter
AR150FD	150mm aluminum flexible duct
AR125FD	125mm aluminum flexible duct
1438124	50mm wide aluminum tape



FOR SALES IN AUSTRALIA AND NEW ZEALAND
APPLIANCE: WESTINGHOUSE RANGEHOODS

This document sets out the terms and conditions of the product warranties for Westinghouse Appliances. It is an important document. Please keep it with your proof of purchase documents in a safe place for future reference should there be a manufacturing defect in your Appliance. This warranty is in addition to other rights you may have under the Australian Consumer Law.

1. In this warranty:

- (a) 'ACL' or 'Australian Consumer Law' means Schedule 2 to the Competition and Consumer Act 2010;
- (b) 'Appliance' means any Electrolux product purchased by you and accompanied by this document;
- (c) 'ASC' means Electrolux's authorised serviced centres;
- (d) 'Westinghouse' is the brand controlled by Electrolux Home Products Pty Ltd of 163 O'Riordan Street, Mascot NSW 2020, ABN 51 004 762 341 in respect of Appliances purchased in Australia and Electrolux (NZ) Limited (collectively "Electrolux") of 3-5 Niall Burgess Road, Mount Wellington, in respect of Appliances purchased in New Zealand;
- (e) 'Warranty Period' means the period specified in clause 3 of this warranty;
- (f) 'you' means the purchaser of the Appliance not having purchased the Appliance for re-sale, and 'your' has a corresponding meaning.

2. Application: This warranty only applies to new Appliances, purchased and used in Australia or New Zealand and is in addition to (and does not exclude, restrict, or modify in any way) other rights and remedies under a law to which the Appliances or services relate, including any non-excludable statutory guarantees in Australia and New Zealand.

3. Warranty Period: Subject to these terms and conditions, this warranty continues for in Australia for a period of 24 months and in New Zealand for a period of 24 months, following the date of original purchase of the Appliance.

4. Repair or replace warranty: During the Warranty Period, Electrolux or its ASC will, at no extra charge if your Appliance is readily accessible for service, without special equipment and subject to these terms and conditions, repair or replace any parts which it considers to be defective. Electrolux may, in its absolute discretion, choose whether the remedy offered for a valid warranty claim is repair or replacement. Electrolux or its ASC may use refurbished parts to repair your Appliance. You agree that any replaced Appliances or parts become the property of Electrolux.

5. Travel and transportation costs: Subject to clause 7, Electrolux will bear the reasonable cost of transportation, travel and delivery of the Appliance to and from Electrolux or its ASC. Travel and transportation will be arranged by Electrolux as part of any valid warranty claim.

6. Proof of purchase is required before you can make a claim under this warranty.

7. Exclusions: You may not make a claim under this warranty unless the defect claimed is due to faulty or defective parts or workmanship. This warranty does not cover:

- (a) light globes, batteries, filters or similar perishable parts;
- (b) parts and Appliances not supplied by Electrolux;
- (c) cosmetic damage which does not affect the operation of the Appliance;

- (d) damage to the Appliance caused by:
 - (i) negligence or accident;
 - (ii) misuse or abuse, including failure to properly maintain or service;
 - (iii) improper, negligent or faulty servicing or repair works done by anyone other than an Electrolux authorised repairer or ASC;
 - (iv) normal wear and tear;
 - (v) power surges, electrical storm damage or incorrect power supply;
 - (vi) incomplete or improper installation;
 - (vii) incorrect, improper or inappropriate operation;
 - (viii) insect or vermin infestation;
 - (ix) failure to comply with any additional instructions supplied with the Appliance;

In addition, Electrolux is not liable under this warranty if:

- (a) the Appliance has been, or Electrolux reasonably believes that the Appliance has been, used for purposes other than those for which the Appliance was intended, including where the Appliance has been used for any non-domestic purpose;
- (b) the Appliance is modified without authority from Electrolux in writing;
- (c) the Appliance's serial number or warranty seal has been removed or defaced

8. How to claim under this warranty: To enquire about claiming under this warranty, please follow these steps:

- (a) carefully check the operating instructions, user manual and the terms of this warranty;
- (b) have the model and serial number of the Appliance available;
- (c) have the proof of purchase (e.g. an invoice) available;
- (d) telephone the numbers shown below.

9. Australia: For Appliances and services provided by Electrolux in Australia: Electrolux goods come with guarantees that cannot be excluded under the Australian Consumer Law. You are entitled to a replacement or refund for a major failure and for compensation for any other reasonably foreseeable loss or damage. You are also entitled to have the Appliance repaired or replaced if the Appliance fails to be of acceptable quality and the failure does not amount to a major failure. 'Acceptable quality' and 'major failure' have the same meaning as referred to in the ACL.

10. New Zealand: For Appliances and services provided by Electrolux in New Zealand, the Appliances come with a guarantee by Electrolux pursuant to the provisions of the Consumer Guarantees Act, the Sale of Goods Act and the Fair Trading Act. Where the Appliance was purchased in New Zealand for commercial purposes the Consumer Guarantee Act does not apply.

11. Confidentiality: You accept that if you make a warranty claim, Electrolux and its agents including ASC may exchange information in relation to you to enable Electrolux to meet its obligations under this warranty.

Important Notice

Before calling for service, please ensure that the steps listed in clause 8 above have been followed.

<p>FOR SERVICE or to find the address of your nearest authorised service centre in Australia PLEASE CALL 13 13 49 <small>For the cost of a local call (Australia only)</small></p>	<p>AUSTRALIA ELECTROLUX HOME PRODUCTS 163 O'Riordan Street, Mascot NSW 2020 electrolux.com.au</p>	<p>FOR SPARE PARTS or to find the address of your nearest spare parts centre in Australia PLEASE 13 13 50 <small>For the cost of a local call (Australia only)</small></p>
<p>FOR SERVICE or to find the address of your nearest authorised service centre in New Zealand PLEASE CALL 0800 10 66 10 <small>(New Zealand only)</small></p>	<p>NEW ZEALAND ELECTROLUX (NZ) Limited 3-5 Niall Burgess Road, Mount Wellington electrolux.co.nz</p>	<p>FOR SPARE PARTS or to find the address of your nearest spare parts centre in New Zealand PLEASE 0800 10 66 20 <small>(New Zealand only)</small></p>

For more information on all Westinghouse appliances, or for dimension and installation information, call into your retailer, phone or email our customer care team or visit our website:

AUSTRALIA


phone: 1300 363 640
fax: 1800 350 067
email: customercare@electrolux.com.au
web: westinghouse.com.au

NEW ZEALAND

phone: 0800 436 245
fax: 0800 225 088
email: customercare@electrolux.co.nz
web: westinghouse.co.nz

TOP SERVICE

Top Service encompasses the after sales service provided by The Electrolux Group to consumers including delivery, home service and spare parts.

 and WESTINGHOUSE are trademarks of Westinghouse Electric Corporation. Used under license. All Rights Reserved.

© 2018 Electrolux Home Products Pty Ltd.
ABN 51 004 762 341
WMAN_WRCG930-940SB_May18