

REFRIGERATION IK008 INTEGRATION KIT

WTB4600, KTM4602, WTB5400, KTM5402,
WBE4500, KBM4502, WBE5300, KBM5302,
WFB4204, WRB5004

CONGRATULATIONS

Congratulations and thank you for choosing our integration kit. Before you install the integration kit, we recommend that you read through the entire installation manual.

To avoid the risks that are always present when you install an electrical appliance, it is important that the integration kit and appliance are installed correctly. Please read the safety instructions in this installation manual as well as the appliance's user manual to carefully to avoid misuse and hazards.

We recommend that you keep this instruction booklet for future reference and pass it on to any future owners.

After unpacking the integration kit, please check it is not damaged. If in doubt, do not use the integration kit but contact your local Westinghouse Customer Care Centre.

BEFORE YOU CALL

Please ensure you read the instruction manual fully before you call for service, or a full service fee could be applicable.

INFORMATION ON DISPOSAL FOR USERS



ENVIRONMENT!

- **Most of the packaging materials are recyclable. Please dispose of these materials through your local recycling depot or by placing them in appropriate collection containers.**
- **If you wish to discard this product, please contact your local authorities and ask for the correct method of disposal.**

CONTENTS

General warnings	2
Refrigerator integration kit items	3
Cupboard dimensions	4
Installation of 120° hinge	7
Preparation	7
Attaching the rear rollers	8
Attaching top hinge bracket	9
Attaching slide-housing to refrigerator doors.....	10
Placing refrigerator in cupboard.....	11
Refrigerator alignment.....	12
Securing refrigerator in cupboard	13
Attaching slide-bar to cupboard door	13
Notes	15

GENERAL WARNINGS

Please read the user manual carefully and store in a handy place for later reference. Pass the user manual on to possible new owners of the appliance.

NOTE: We strongly recommend that a professional builder/cabinet maker builds this unit into required cabinetry prior to finished installation in customer's kitchen. Westinghouse cannot take responsibility for any installation issues when customer retrofits this product into cabinetry. Cabinet door height built in excess of refrigerator door height will be unsupported and risk bowing.

NOTE: Please refer to your Appliance User Manual for warnings relating to the appliance.

SYMBOLS



WARNING!

This symbol indicates information concerning your personal safety



CAUTION!

This symbol indicates information on how to avoid damaging the refrigerator



IMPORTANT!

This symbol indicates tips and information about use of the refrigerator



ENVIRONMENT!




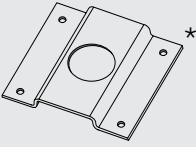
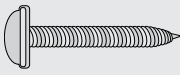
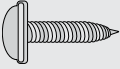
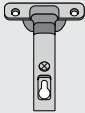
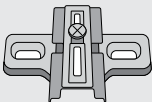

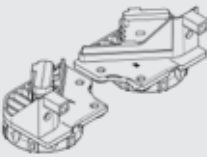
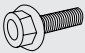
This symbol indicates tips and information about economical and ecological use of the refrigerator

DESCRIPTION

REFRIGERATOR INTEGRATION KIT ITEMS

Because this kit is common to a variety of models, you need to select the items required to suit your model. The items required for the models covered in this instruction booklet are shown below.

Those items not required on your particular model should be discarded.

Description	Item	Quantity in kit	Quantity required	
			Two door model	Single door model
	Top hinge bracket PN° A02986001	1	1	1
	Slide-housing PN° A04098601	2	2	1
	Slide-bar PN° A04098501	2	2	1
	Location bracket front footing PN° A02986101 (Bottom freezer models use 1 bracket)	2	2	2
	Refrigerator screws PN° A04120701 (741249)	8	8	4
	Cupboard screws PN° A04120801 (1449422)	14	14	11
	120° hinge PN° A04120901 (1457832)	5	5 (3+2)	3
	Mounting plate for hinge PN° A04121001 (1458211)	5	5 (3+2)	3
	Self tapping wood screws PN° A04121101 (1458212)	20	20	12
	Service Kit Rear Rollers PN° A04078201	1	1	1
	Screw Rear Rollers PN° 811949503	2	2	2
	Installation Instruction Sheet PN° A04633101	1	1	1

* For improved aesthetics we suggest painting brackets to match the colour of the cupboard floor.

DIMENSIONS

CUPBOARD DIMENSIONS



IMPORTANT!

Pages 4, 5, 6, and 7 should be given to the person responsible for cupboard design and construction.

The cupboard dimensions required for each model are shown on page 5, 6 & 7.

1. All sizes are internal and measured in millimetres.
2. It is important to ensure that the correct cupboard sizes are used to ensure adequate air flow around the refrigerator.
3. Cupboard hinges should be a 120° opening type. (Use hinges supplied).
4. Three hinges should be used on each cupboard door higher than 1000mm.
5. Ensure the refrigerator is not connected to a power supply whilst installation takes place.
6. Each operation should be carried out in the sequence specified in this instruction sheet.

NOTE: All sizes are internal and in millimetres.

Model	Dim 'A' (mm) min.	Dim 'B' (mm)	Dim 'C' (mm)	Dim 'D'* (mm)	Dim 'E' (mm)	Dim 'G' (mm)	Dim 'H' (mm)	Dim 'I'* (mm)	
2 door top freezer models									
WTB4600, WTB4604, KTM4602	1820	780	800	1217	600	241	395	Please use the calculation below to measure Dimension 'I' for your specific model.	
WTB5400, WTB5404, KTM5402	1820	780	896	1217	600	278	495		
2 door bottom freezer models									
WBE4500, KBM4502	1820	780	800	702	600	241	395		
WBE5300, KBM5302	1820	780	896	702	600	278	495		
single door models									
WFB4204	1820	780	800	–	600	241	395		
WRB5004	1820	780	800	–	600	241	395		

Step 1

Measure and confirm Dimension 'A'.

Step 2

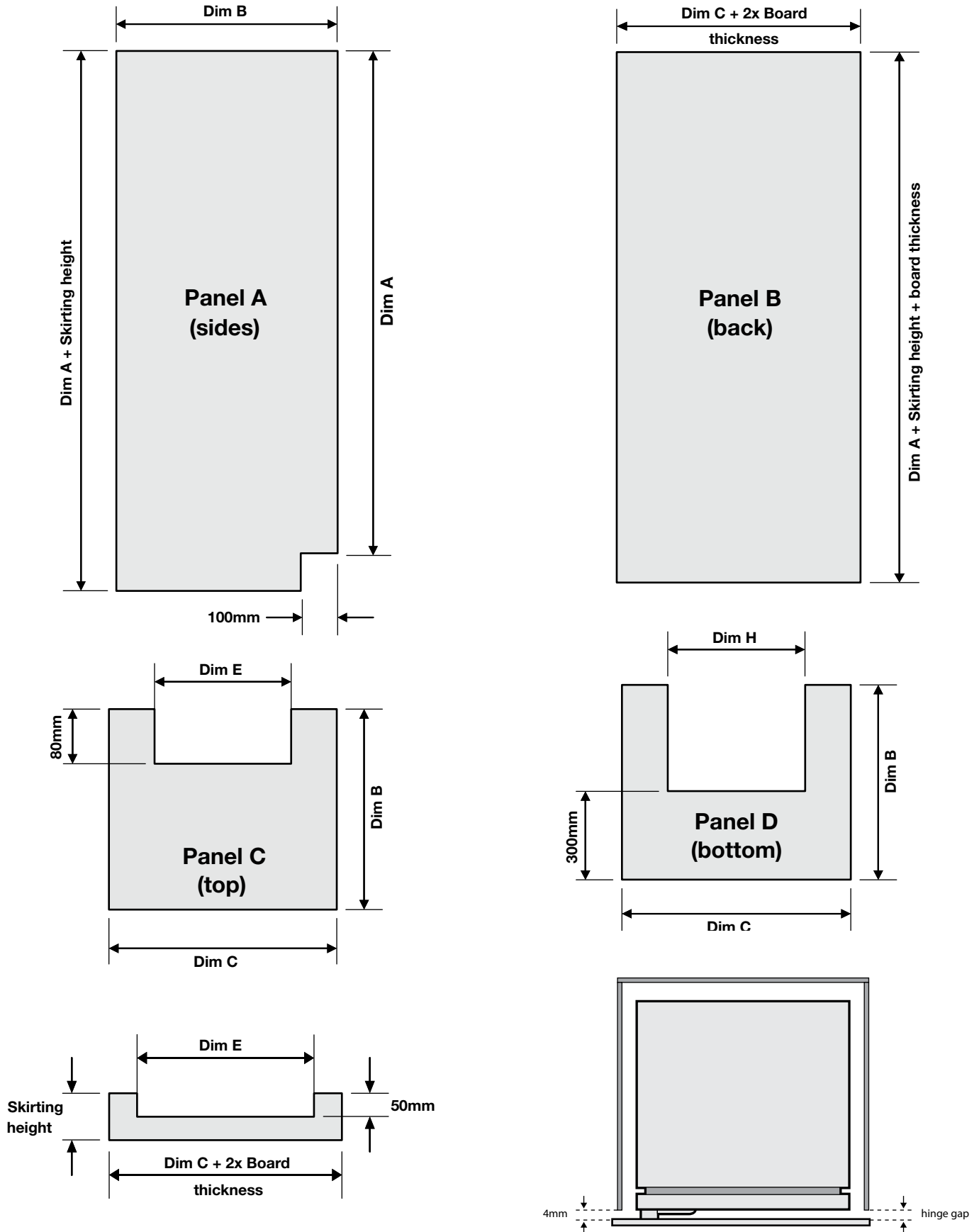
To calculate Dimension 'I' use the equation below.

$$\text{Dim 'I'} = \text{Dim 'A'} - (\text{Dim 'D'} + 5\text{mm}) \text{ mm}$$

Step 3

*Add cabinetry thickness to Dimension 'D' and Dimension 'I' for final measurement before construction.

NOTE: All sizes are internal and measured in millimetres.
For 'lettered' dimensions refer to the table on page 4.

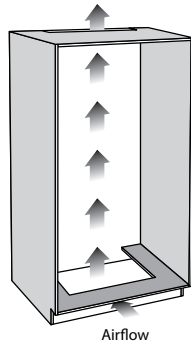


NOTE: The gap is left to ensure the refrigerator door will be allowed to close fully for a good gasket seal.

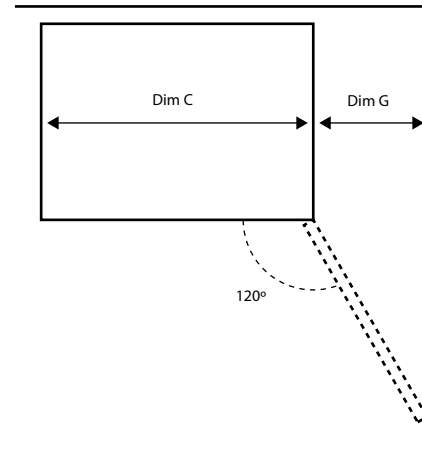
DIMENSIONS (CONTINUED)

Clearances

When installed the refrigerator needs to have adequate air ventilation. It is important to ensure there is good airflow from the front to underneath and up the rear to the top of the cabinet (see diagrams).

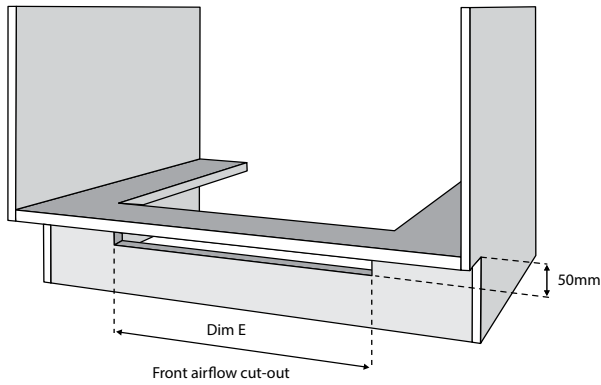


When positioned in a corner the clearance of Dim G on the hinge side of the cabinet will allow the doors to be opened enough to enable the removal of the crisper bins.



Front airflow cut-out

NOTE: A decorative grill can be fitted so long as it does not obstruct airflow and is removable for cleaning.



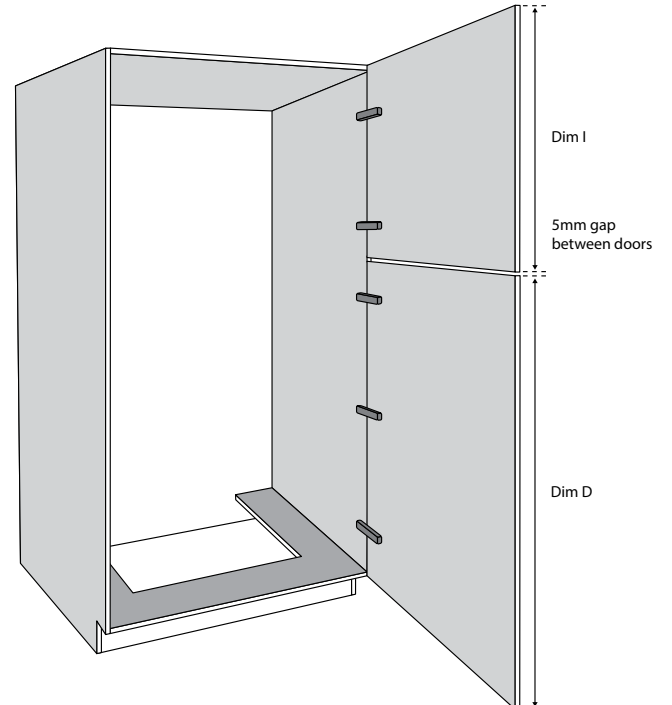
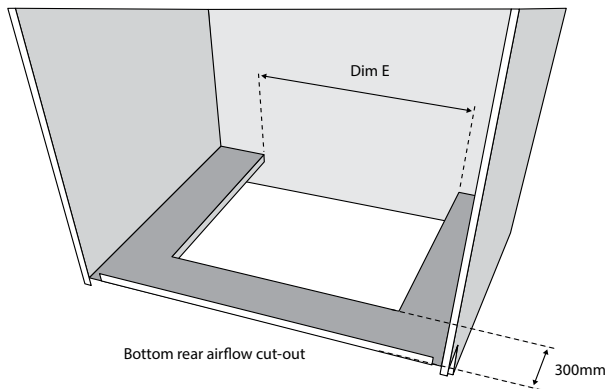
NOTE: Use the 120° hinges supplied with the kit to attach the cupboard door to the cupboard.

Attach the hinge to the door to ensure that door can have maximum opening, i.e. the door edge should not hit the cabinet when the door is fully open.

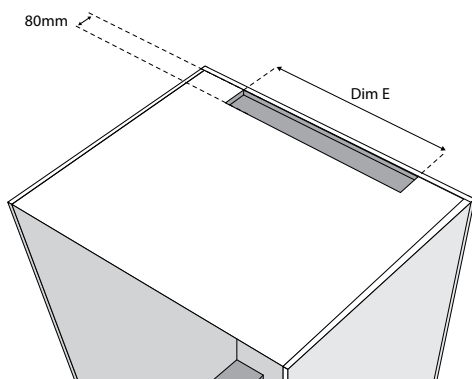
Cabinet construction

(top mount cupboard shown below)

Bottom rear airflow cut-out



Top rear airflow cut-out

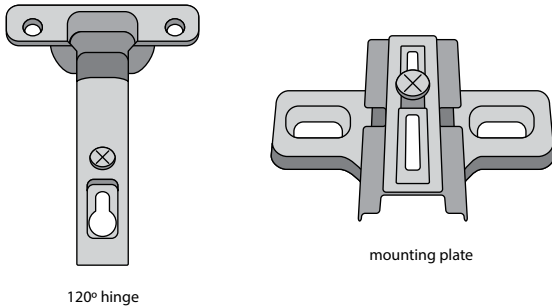


NOTE: If Dim D is larger than 1000mm in height, 3 hinges are required to attach the cupboard door to the cupboard. If Dim D is smaller than 1000mm in height, 2 hinges are required/sufficient.

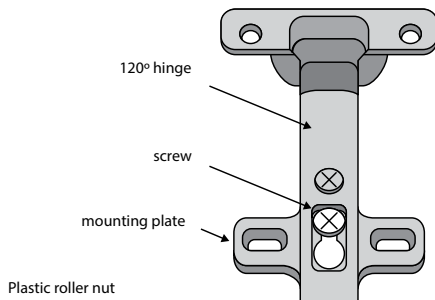
INSTALLATION

INSTALLATION OF 120° HINGE

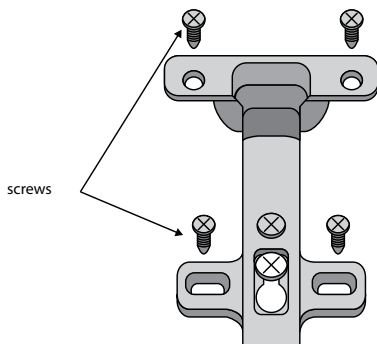
Please follow the instructions below to install the 120° hinge.



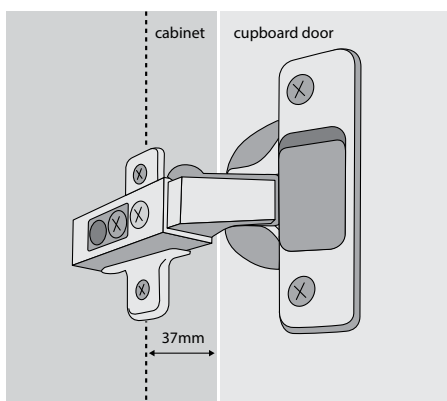
Attach mounting plate with 120° hinge and tighten the screw.



Use self tapping wood screws P No. A04121101 provided to attach the hinge to the cupboard door.



Use screws attached to mounting plate to attach the hinge to the cabinet.

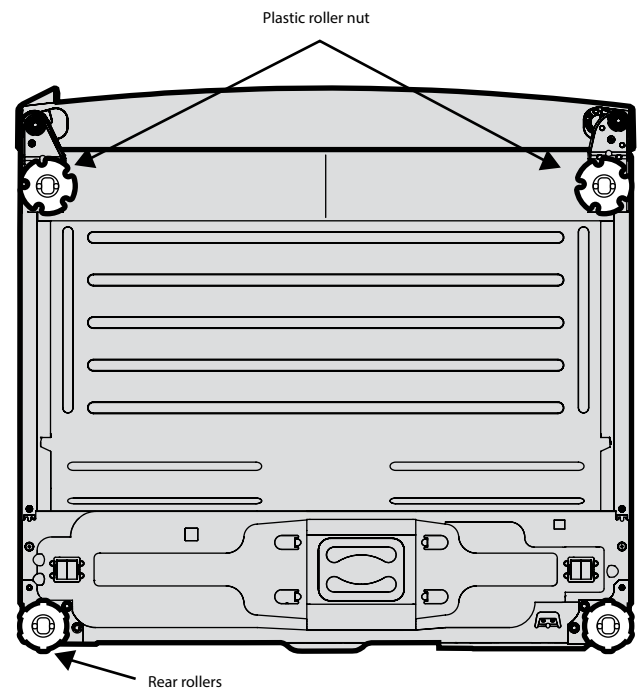


This dimension is typically 37mm
(from centre line of mounting plate
to the cupboard cabinet edge)

Preparation

1. Unpack refrigerator, and remove all packaging.
2. Lay the refrigerator down on its back on a piece of soft packing material. Use caution and two people while laying the appliance down.
3. Place adjustable rollers in the fully retracted position by screwing height adjusting screw fully anti-clockwise (Figure 2). Do not remove the adjusting nut completely.
4. Attach rear rollers.

Figure 2

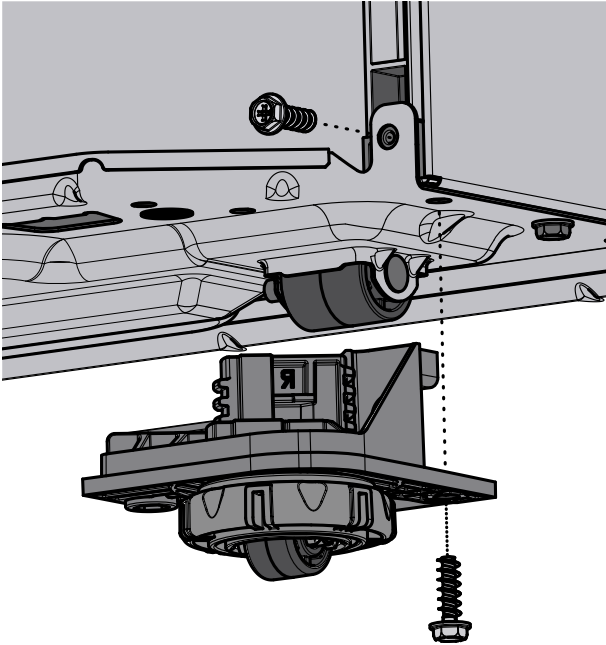


INSTALLATION (CONTINUED)

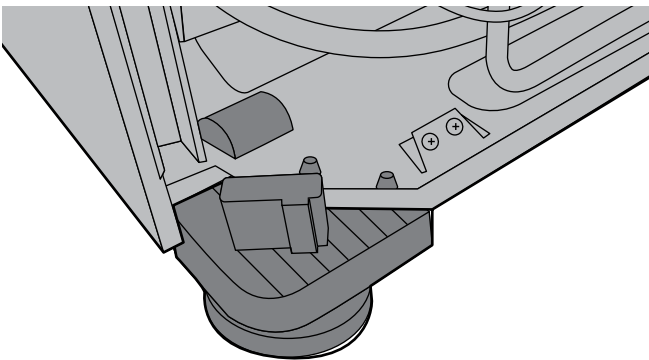
ATTACHING THE REAR ROLLERS

A set of adjustable back feet/rollers is provided in the kit. These are required to ensure that the product is levelled correctly, failure to fit these may result in the poor operation of door opening.

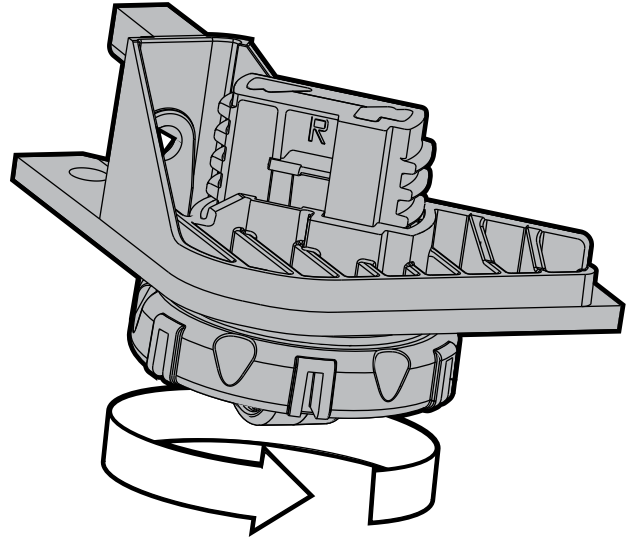
1. Temporarily unfasten the screws holding the compressor base plate.
2. Fit the assembly with the removed screw and one from the kit (item 11).



3. Repeat for the other side.



Once fitted turn the adjusting nut on each roller assembly anti-clockwise three full turns, this will raise the cabinet at the rear by approximately 12mm (ensure that the nut is completely wound up before turning).



Then secure the nut and roller assembly in place with tape (this will prevent the roller assembly from falling out when the refrigerator is placed in the cupboard).

Stand the refrigerator upright. On a horizontal and flat floor adjust the rollers until the refrigerator is vertical and does not rock.

ATTACHING THE TOP HINGE BRACKET

1. Remove top hinge cover (Figure 3), cover clips off.
2. Remove the three (3) top hinge screws.
3. Elevate hinge.
4. Slide the top hinge bracket into position below the hinge.
5. Re-attach hinge and screws ensuring that refrigerator door is still correctly positioned.

i IMPORTANT!

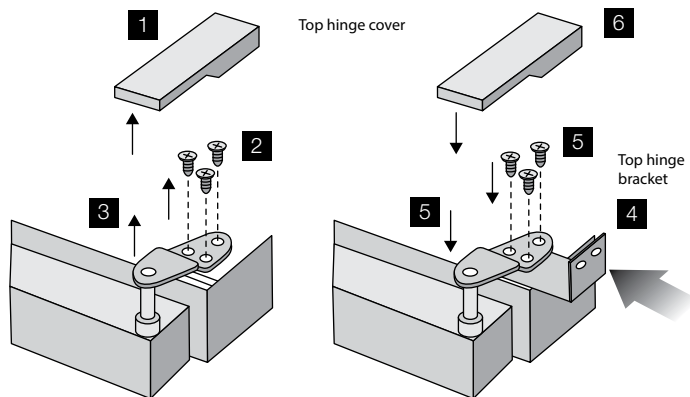
You must ensure that the refrigerator door is:

- **Parallel with sides and top of cabinet.**
- **The gap between the door and cabinet is typically 10mm allowing the door gasket to act correctly (Figure 4).**

NOTE: Ensure the gasket acts correctly, i.e. doesn't make a noise or leave gaps when the door is closed.

6. Recap hinge cover into position.

Figure 3



Top hinge bracket fitted.

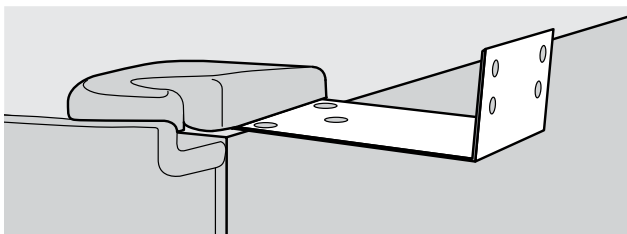
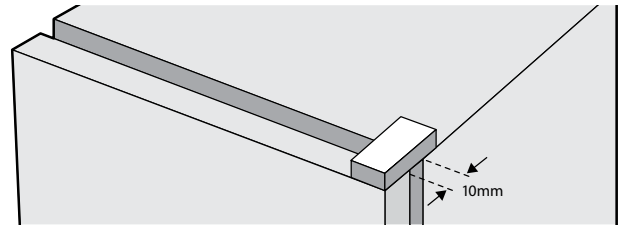


Figure 4

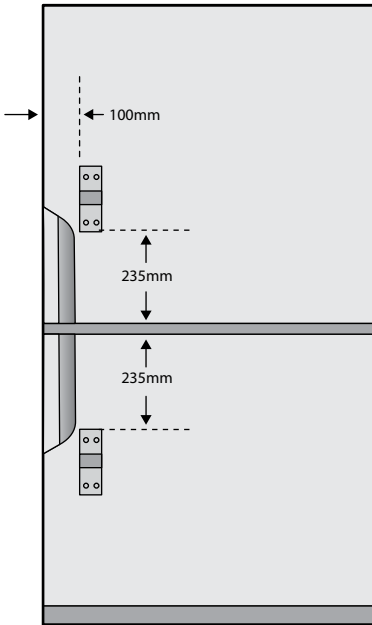
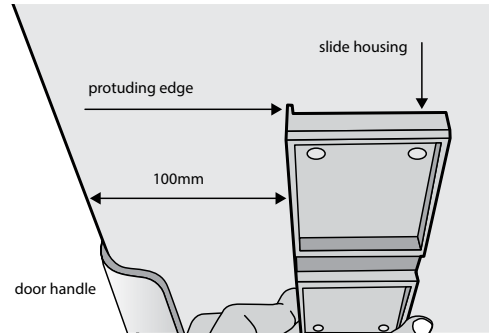


INSTALLATION (CONTINUED)

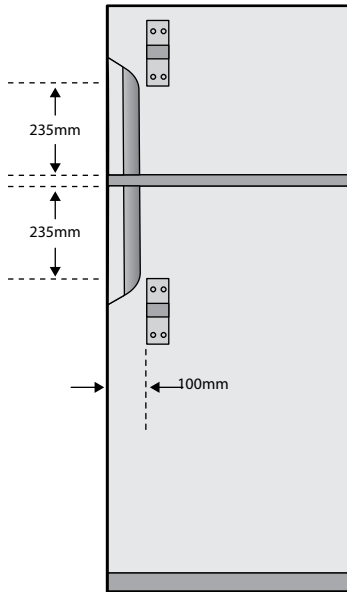
ATTACHING SLIDE-HOUSING TO REFRIGERATOR DOORS

1. Ensure slide-housing is positioned squarely as shown.
2. Ensure that the slide-housing is positioned on the door as shown in the diagrams.

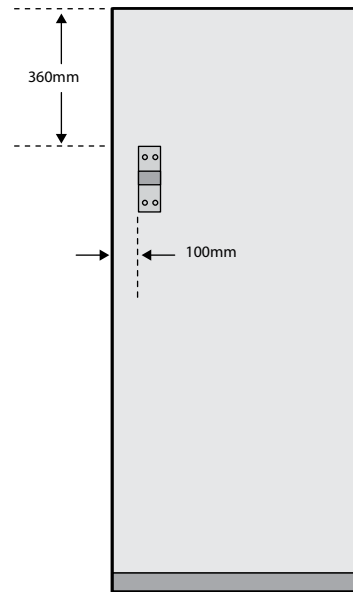
NOTE: The slide-housing 'protruding edge' side must always be closest to the door handle side (diagram right).



2 door bottom freezer

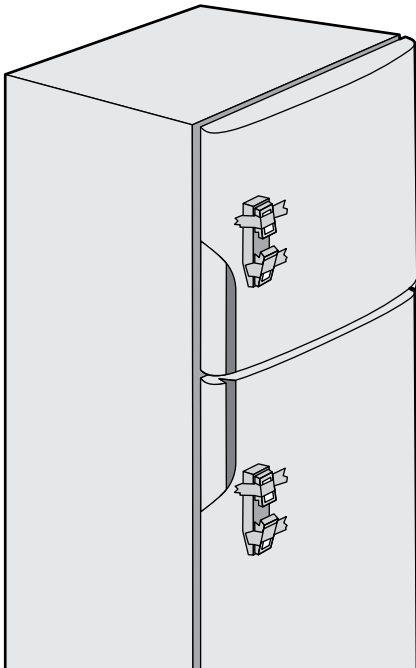


2 door top freezer

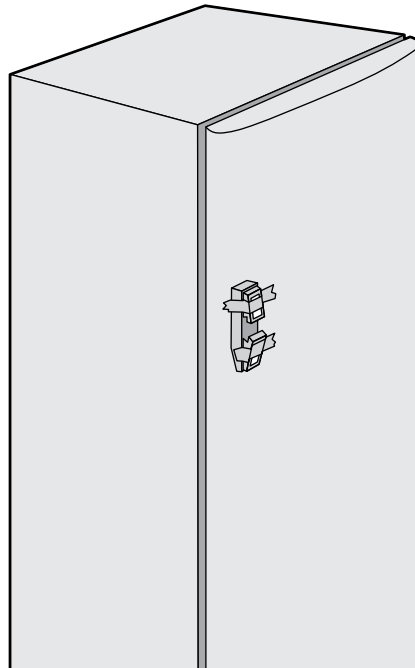


single door

...and secure with tape.



Two door



Single door

NOTE: For single door models, the door handle must be completely removed to provide clearance to the cupboard door and the resulting handle mounting holes hidden with a cover. Installer must use a tape or plastic cover that suits the installation appearance (not supplied).

3. While the slide-housing is taped in position, punch a small hole in the refrigerator door skin corresponding to the four (4) holes in the housing (Figure 5).
4. The holes should be punched, not drilled, to ensure the maximum thread can be formed in the metal.
5. Screw four (4) refrigerator screws into the holes securing the housing in place. The refrigerator screws are supplied in kit (Figure 6).

If you have a two door refrigerator, repeat this process for the other door.

Figure 5

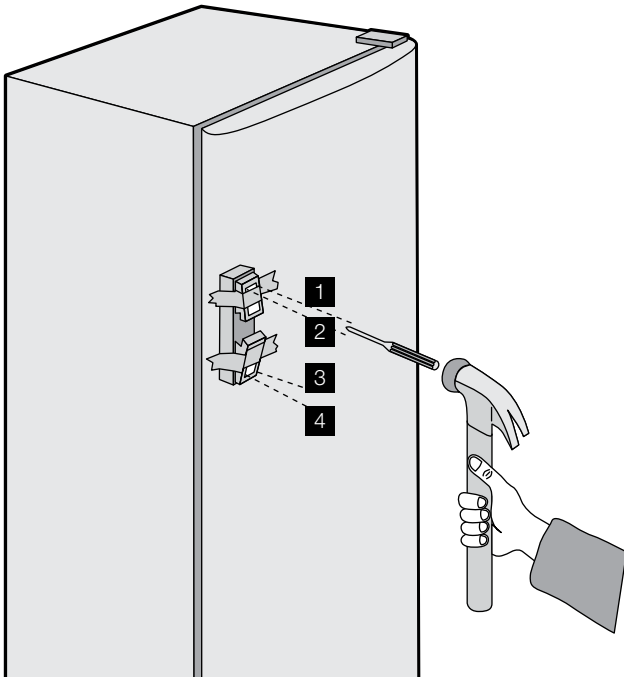
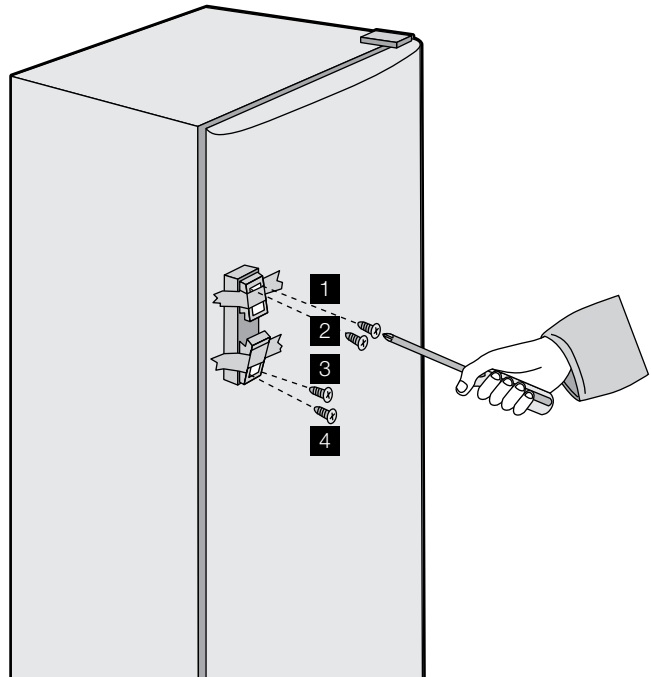


Figure 6

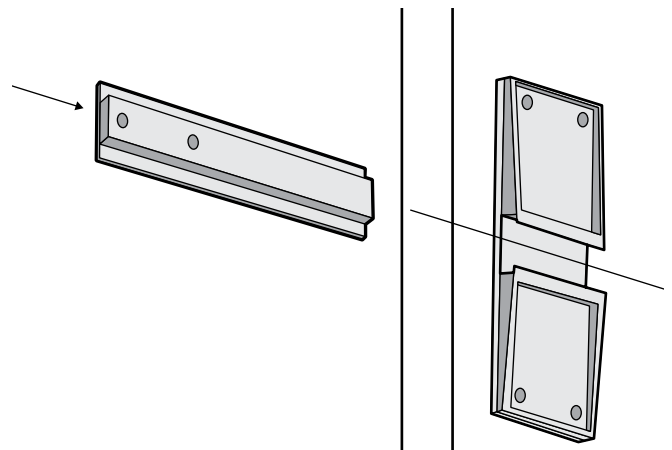


Placing refrigerator in cupboard

1. Ensure cupboard is level and square.
2. Put refrigerator into cupboard. Use caution and two people if necessary.
3. Insert slide bars into slide-housings (Figure 7).

NOTE: Ensure the refrigerator is level in the cupboard. Raise the front of the refrigerator by using the height adjusting screws.

Figure 7



INSTALLATION (CONTINUED)

REFRIGERATOR ALIGNMENT

Position the refrigerator in the cupboard so that:

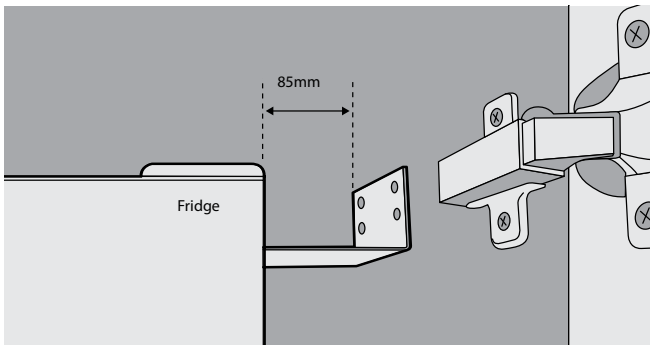
1. Top hinge bracket is against cupboard wall (Figure 8).
2. Front of refrigerator cabinet (with doors open) is parallel to and approximately 100mm from the front of the cupboard (Figure 9).
3. Position bottom location brackets as shown (Figures 9 & 9a). Fit foot in appropriate hole as shown and level refrigerator. (Figure 10).
Bottom freezer models fit to hinge side only (Figure. 9a)

NOTE: Do not screw in place yet.

For improved aesthetic we suggest painting the brackets to match the colour of the cupboard floor.

NOTE: The front adjustable rollers may need raising (rotate anti-clockwise when viewed from above) to achieve this.

Figure 8



Top Hinge Bracket fitted – note the space between the cupboard and the side of the refrigerator is to be approximately 85mm.

Figure 9

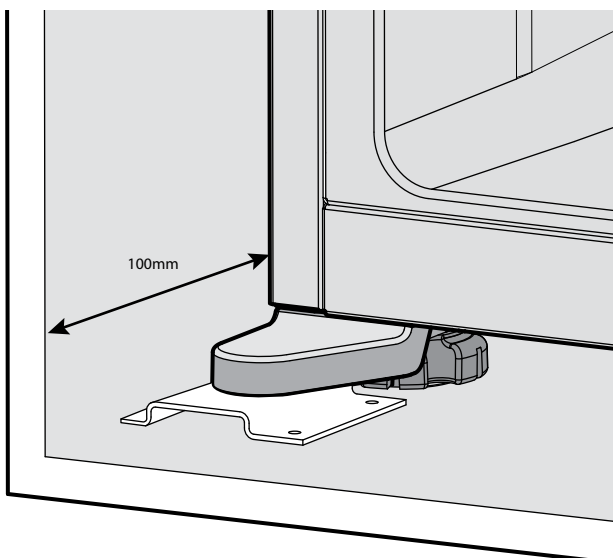


Figure 9a - Hinge side

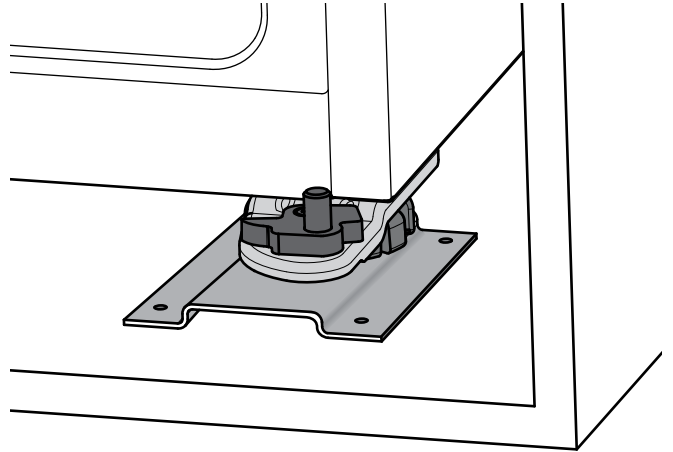
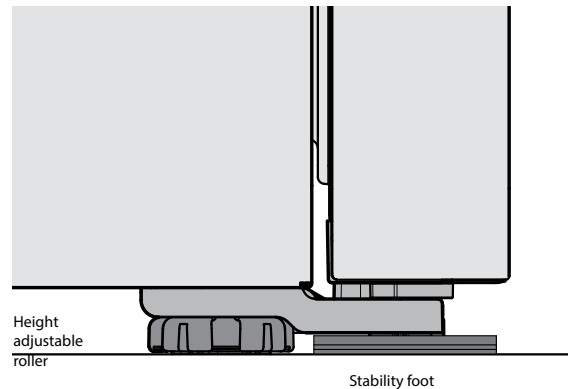


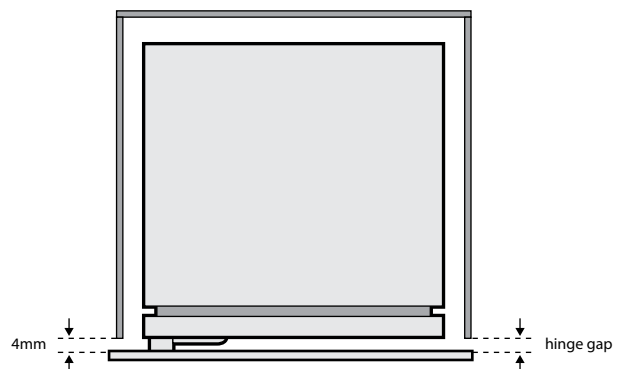
Figure 10



4. Slowly close the cupboard door (pushing the refrigerator back) until it is slightly ajar, i.e. with a gap of about 4mm (Figure 11).

You may have to reposition the refrigerator back or forward until the 4mm gap is obtained. Ensure that the refrigerator remains parallel as you do this. Once you have the correct gap, proceed to the next step.

Figure 11



NOTE: The gap is left to ensure the refrigerator door will be allowed to close fully for a good gasket seal.

SECURING THE REFRIGERATOR IN THE CUPBOARD

*NOTE: When attaching **all screws** to cupboard, first drill a 2mm pilot hole in the correct position. This will allow easy hand insertion of self tapping screw.*

Now that the refrigerator is correctly positioned:

1. Screw in top hinge bracket to the cupboard wall using 4 cupboard screws provided. This will secure the top of the refrigerator (Figure 12).
2. Screw down both foot brackets to cupboard floor with 2 cupboard screws. This will secure the bottom of the refrigerator (Figure 13.)

Figure 12

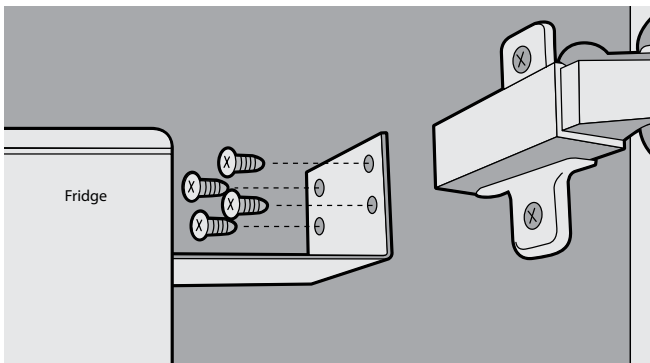
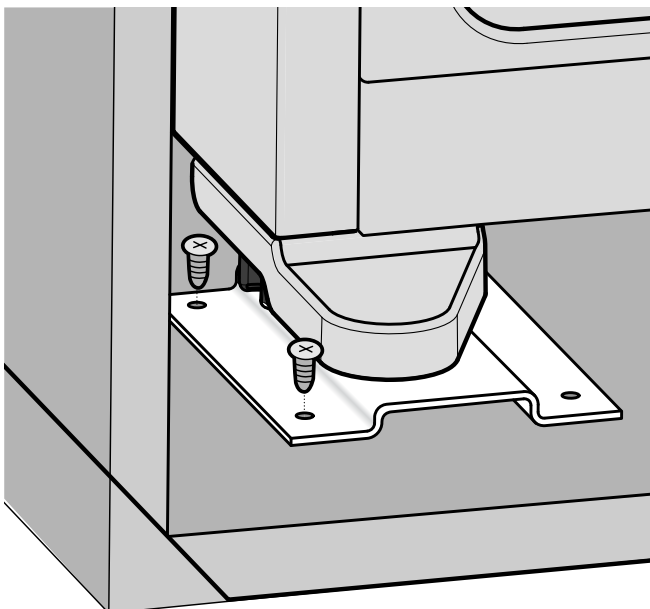


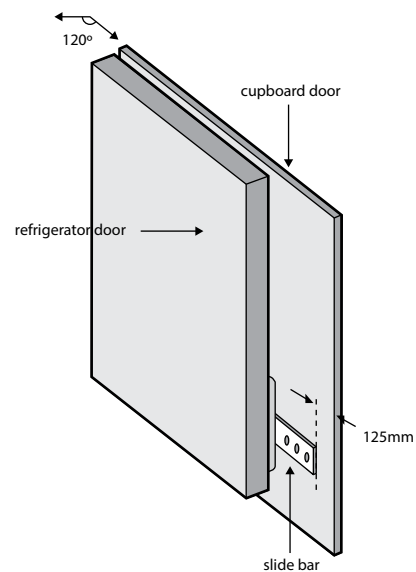
Figure 13



ATTACHING SLIDE-BAR TO THE CUPBOARD DOOR

1. Fully open cupboard door (120°).
2. Open refrigerator door until it rests against the cupboard door.
3. Position slide-bar in side-housing so that all three holes are visible when both doors are fully open (120°). This position is typically 230mm from the edge of the slide housing (Figure 14).

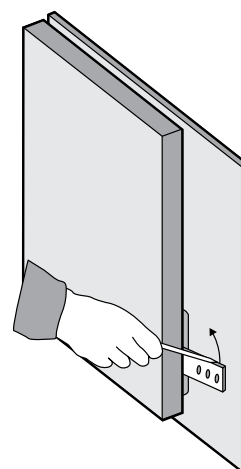
Figure 14



Whilst slide-bar is still in housing:

4. Rotate slide-bar to uppermost alignment, mark a line on cupboard door (Figure 15).

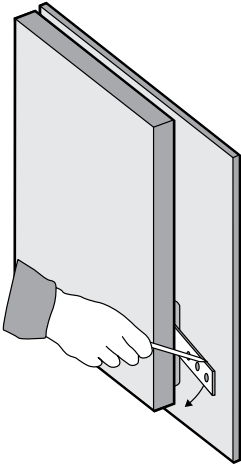
Figure 15



INSTALLATION (CONTINUED)

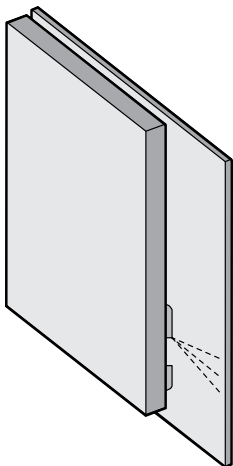
5. Rotate slide-bar to lower alignment, mark a line on cupboard door (Figure 16).

Figure 16



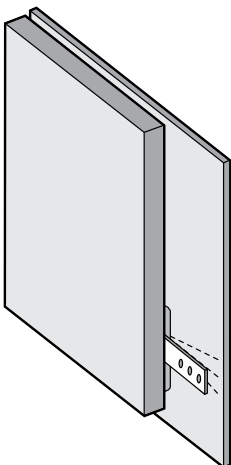
6. Remove slide-bar and draw line to indicate central alignment (Figure 17).

Figure 17



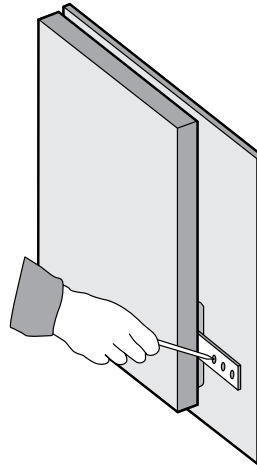
7. Replace slide-bar and align to centre line marked in previous operation (Figure 18).

Figure 18



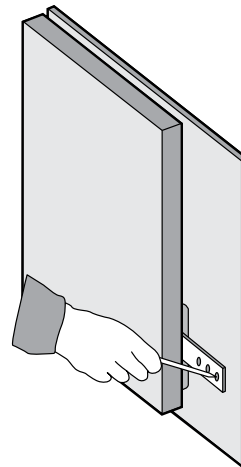
8. Secure slide-bar by driving a cupboard screw into the centre of the inner slot Fig 19. Gently test closing the door.

Figure 19



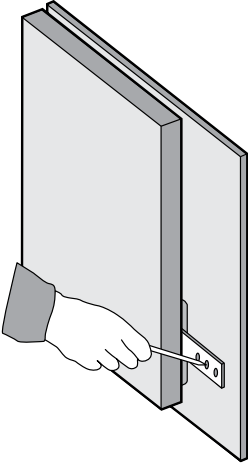
9. If the action is smooth and the slider does not move in relation to the cupboard door, drive another cupboard screw into the end slot Fig 20.

Figure 20



10. Open and close the door a number of times. If the action is not smooth, loosen the screws and re-adjust the slide bar. Once the desired smooth action is achieved attach the central locking screw Fig 21.

Figure 21



Repeat this procedure for the second slide bar if necessary.

This completes the installation procedure.

Customers please note.

In the unlikely event service is required on an integrated refrigerator during the warranty period it is the customer's responsibility to remove the refrigerator from the cupboard. Removal of the refrigerator from the cupboard is not covered by warranty. For full details of the warranty terms and conditions please refer to the information contains with your appliances.

For more information on all Westinghouse appliances, or for dimension and installation information, call into your retailer, phone or email our customer care team or visit our website:

AUSTRALIA

phone: 1300 363 640

fax: 1800 350 067

email: customercare@electrolux.com.au

web: westinghouse.com.au


NEW ZEALAND

phone: 0800 436 245

fax: 0800 225 088

email: customercare@electrolux.co.nz

web: westinghouse.co.nz

 and WESTINGHOUSE are trademarks of Westinghouse Electric Corporation.
Used under license. All Rights Reserved.

P/No. A04633101

© 2017 Electrolux Home Products Pty Ltd.
ABN 51 004 762 341

EMAN_IK008_Dec17