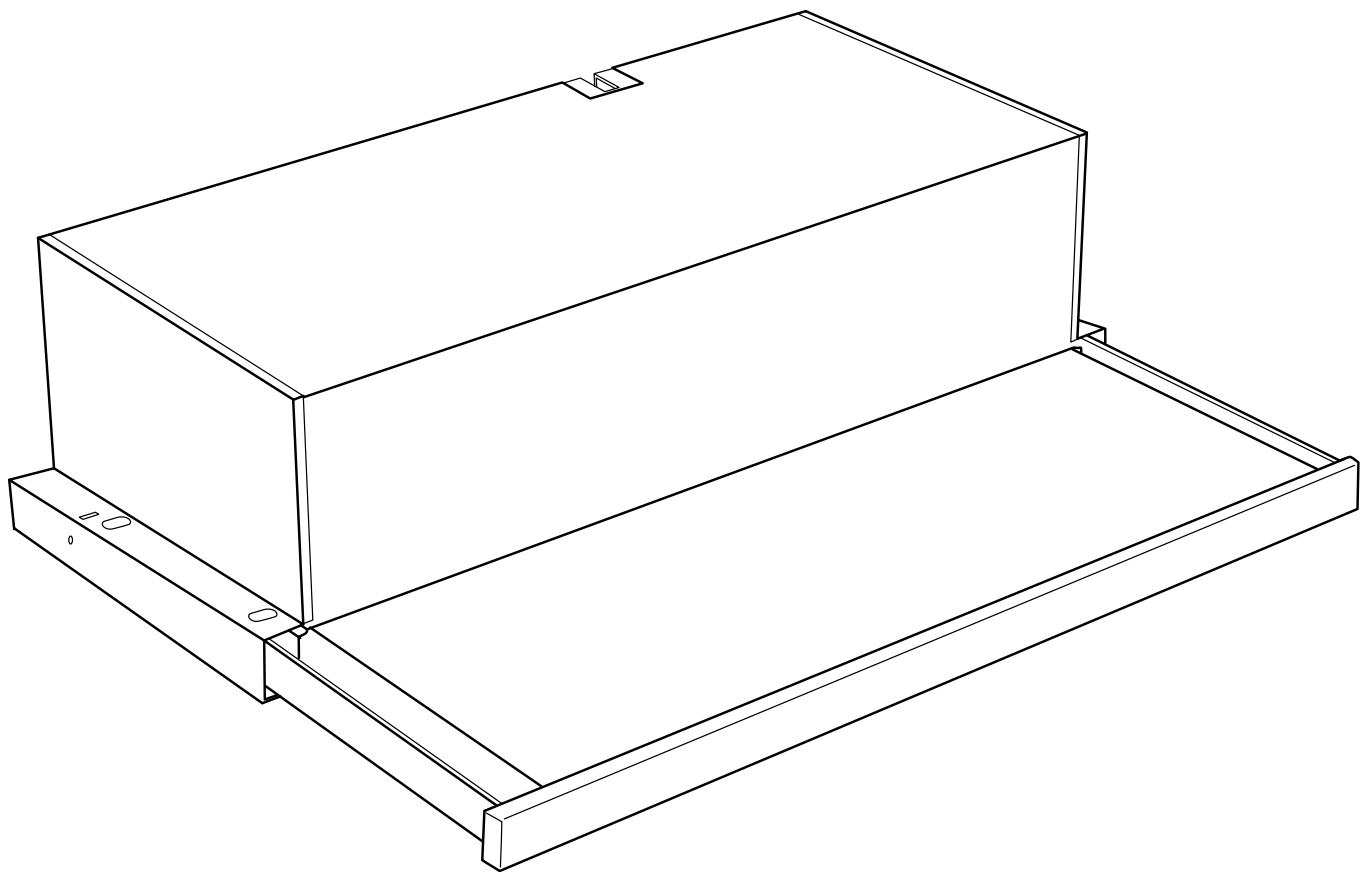


REHR6* WRH605I*
WRH608I* WRR614*A
WRH908I*

Retractable Rangehood
User manual



WELCOME

Thank you for purchasing this appliance. You've chosen a product that brings with it decades of professional experience and innovation. Ingenious and stylish, it has been designed with you in mind. So whenever you use it, you can be safe in the knowledge that you'll get great results every time.

LEGEND

The symbols you will see in this booklet have these meanings:



WARNING!

This symbol indicates information concerning your personal safety



CAUTION!

This symbol indicates information on how to avoid damaging the rangehood



IMPORTANT!

This symbol indicates tips and information about use of the rangehood



ENVIRONMENT!

This symbol indicates tips and information about economical and ecological use of the rangehood

CONTENTS

- 3 **Important safety instructions**
- 4 **Installation**
- 6 **Operation and maintenance**
- 7 **Warranty**

CONDITIONS OF USE

This appliance is intended to be used in household and similar applications such as:

- Staff kitchen areas in shops, offices and other working environments
- Farm houses
- By clients in hotels, motels and other residential type environments
- Bed and breakfast type environments.
- Catering and similar non-retail applications

RECORD MODEL AND SERIAL NUMBER HERE:

Model:

Serial No:

SAFETY INSTRUCTIONS

Please read the user manual carefully and store in a handy place for later reference. Pass the user manual on to possible new owners of the appliance.

Read the following carefully to avoid damage or injury.

Note: You must read these warnings carefully before installing or using the accessory. If you need assistance, contact your Customer Care Department. The manufacturer will not accept liability, should these instructions or any other safety instructions incorporated in this book be ignored.



ENVIRONMENT!

Remove and discard any packaging material before using this accessory. Most of the packaging materials are recyclable. Please dispose of those materials through your local recycling depot or by placing them in the appropriate collection containers.



WARNING!

- This appliance can be used by children aged from 8 years and above and persons with reduced physical, sensory or mental capabilities or lack of experience and knowledge if they have been given supervision or instruction concerning the use of the appliance in a safe way and understand the hazards involved. Children shall not play with the appliance. Cleaning and user maintenance shall not be made by children without supervision.
- Ensure the rangehood is switched off before carrying out maintenance, to avoid any possibility of electric shock.
- Grease filters must be removed every four weeks (maximum) for cleaning to reduce the risk of fire.
- Do not light a flame under the rangehood.
- This rangehood is not recommended for barbecues.
- The exhaust air from the rangehood must not be discharged into any heating flue, which may carry combustion products from other sources.
- Exhaust air must not be discharged into a wall cavity, unless the cavity is designed for the purpose.
- There must be adequate ventilation of the room when the rangehood is used at the same time as appliances burning gas or other fuels.
- Always cover lit gas burners with pots or pans when the rangehood is in use.
- Always switch off gas burners before you remove pots or pans.



CAUTION

- Accessible parts may become hot when used with cooking appliance.
- Regulations concerning the discharge of air have to be fulfilled.
- Failure to install the screws or fixing device in accordance with these instructions may result in electrical hazards.

Cleaning

- Wipe the rangehood body and flue with a sponge or soft cloth soaked in warm soapy water, and dry with a soft cloth, for stainless steel models apply a stainless steel protector. Do not use oven cleaners or other abrasive materials.
- There is a fire risk if cleaning is not carried out in accordance with the instructions.

Electrical Connection

- Check that the mains voltage matches with the voltage on the data plate inside the rangehood.
- Check that the installation complies with standards of local gas and electricity authorities.
- If the supply cord is damaged, it must be replaced by the manufacturer or its service agent or a similarly qualified person in order to avoid a hazard.

Accessories

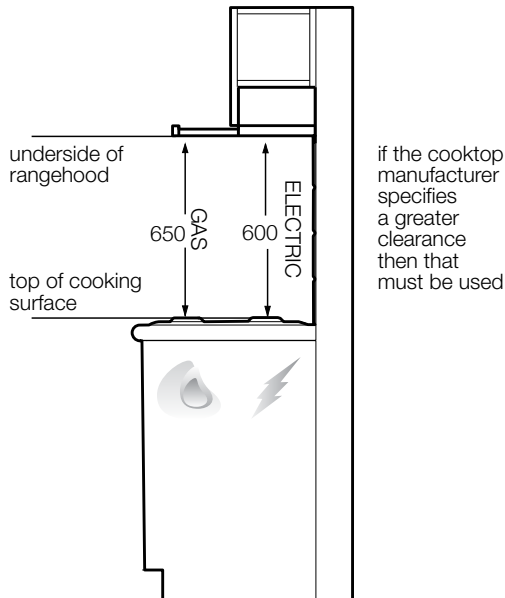
- Use 125mm round exhaust ducting for best performance.
- When using flexible duct always install duct with the wire helix pulled taut to minimise pressure loss.
- Try to keep exhaust duct short and straight.
- Keep bends in the exhaust duct to a minimum.
- Do not restrict exhaust duct.
- Reducing the size of the exhaust duct will reduce the airflow of the rangehood. Please read instructions carefully. Service calls resulting from incorrect installation will be charged for.

Exhaust air from the rangehood must not be discharged into any heating flue which may carry combustion products from other sources. In addition, exhaust air must not be discharged into a wall cavity, unless the cavity is designed for the purpose. Adequate ventilation of the room must be ensured when the rangehood is operating simultaneously with appliances burning gas or other fuels. Installation must comply in all respects with your gas and electrical authorities. This rangehood is an indoor domestic appliance, and has been manufactured and tested to comply with Australian and New Zealand Standard AS/NZS 60335.2.31

INSTALLATION

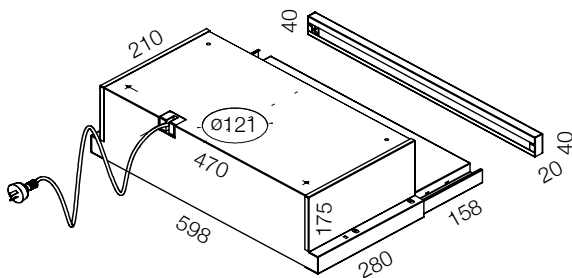
Standard ducting installation

The rangehood must be positioned at a minimum clearance of 600mm for an electric cooktop and 650mm for a gas cooktop. the rangehood should be no further than 800mm from the cooktop, otherwise the unit becomes less effective as the distance from the cooking surface to the rangehood increases.

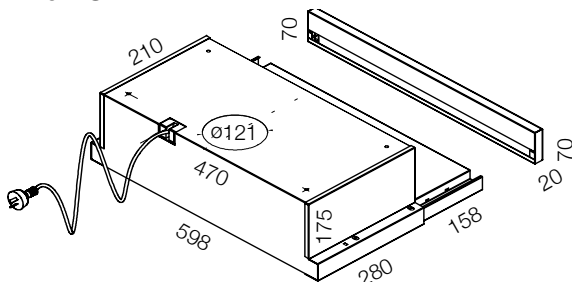


Fixing point dimensions – 600mm

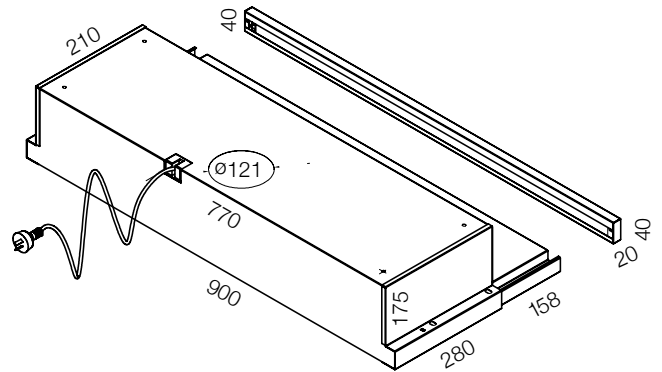
REHR6* WRH605I* WRH608I*



WRR614SA



Fixing point dimensions – 900mm

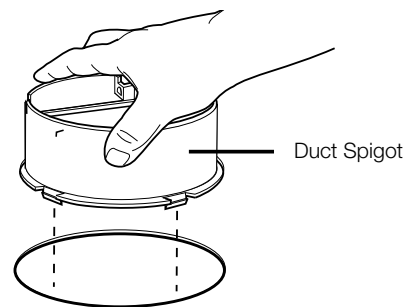


WARNING!

Failure to install the screws or fixing device in accordance with these instructions may result in electrical hazards.

Ducting installation

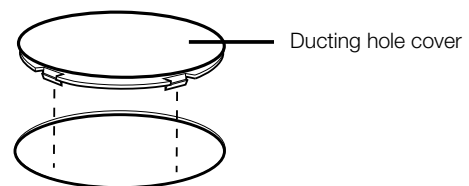
When installing with ducting pipe the Duct spigot must be fitted to the ducting hole on top of the body of the rangehood.



Recirculating installation

(For Models: WRH608I* WRR614*A & WRH908I*)

When installed in recirculating mode the ducting hole cover must be fitted.



Parts supplied with hood

- 1 × Duct Spigot
- 1 × Ducting hole cover (only for WRH608I* WRR614*A and WRH908I*)
- 4 × M6 × 40 screws
- 4 × Ø6 washers
- 2 × Carbon filters (only for WRR614*A)

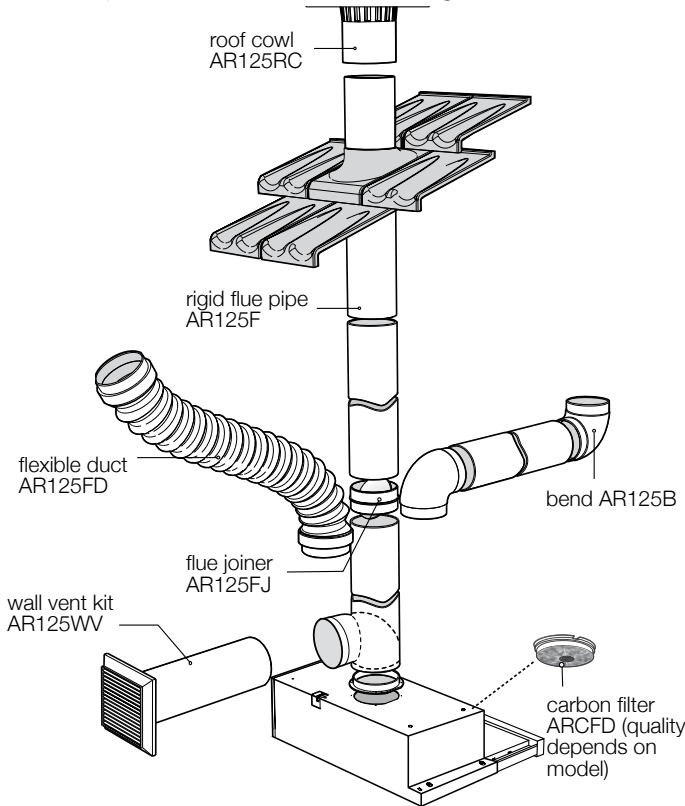
Parts to be purchased

- Aluminium tape or cable ties to secure flue pipe
- Custom drawer fascia (if required)
- Ducting accessories

INSTALLATION

Ducting accessories - REHR6* WR H605I* WR H608I* WRR614*A WRH908I*

For best performance \varnothing 125mm ducting is recommended

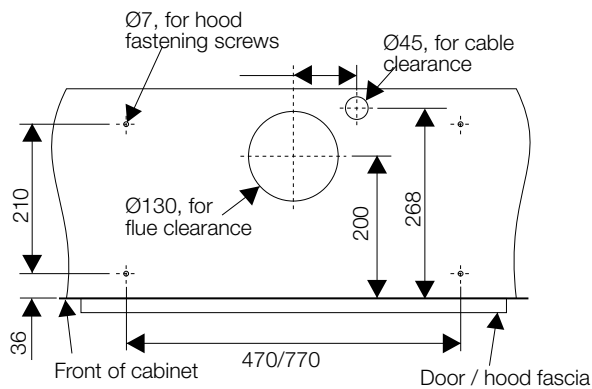


Accessories can be bought from your local appliance retailer, or in Australia at our online spare parts and accessories store: shop.electrolux.com.au

Drilling holes

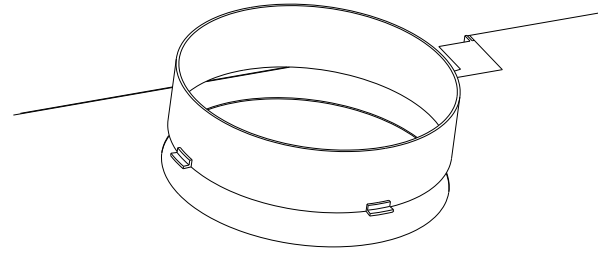
Drill the holes on top wooden support.

- drill \varnothing 7 hole
- drill \varnothing 45 hole
- cut \varnothing 130 hole



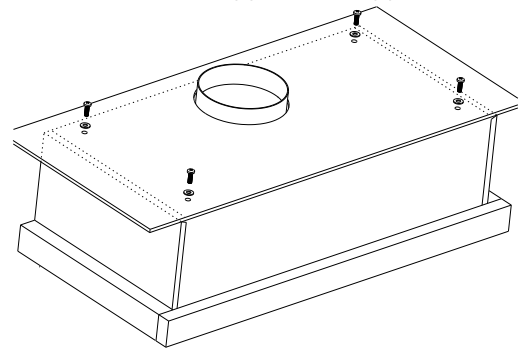
Fixing duct spigot

Snap in duct spigot to the rangehood.



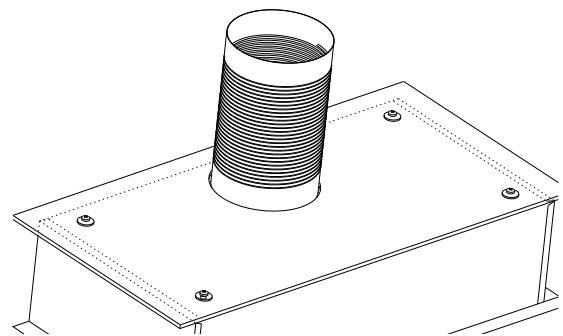
Fixing the rangehood

Use 4 x M6x40 screws and washers supplied to fasten the cooker the wood support from upper side.



Fixing flue pipe

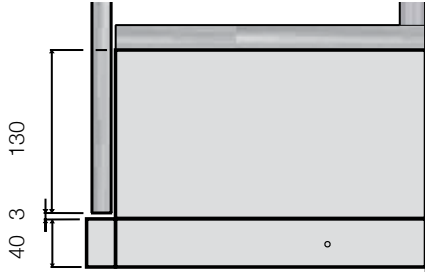
Fix a 125mm diameter noncombustible rigid flue pipe. Fix flue pipe to the exhaust transition duct. Use cable ties or aluminium tape to secure flue pipe to the duct spigot. If using a flexible duct, install with the wire helix pulled taut to minimise pressure loss and noise.



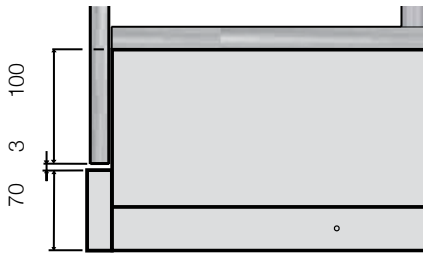
INSTALLATION

Installation using the supplied drawer fascia – REHR6* WRH605I* WRH608I* WRH908I*

Standard ducted installation calls for a door extension of 130mm whether the client opts to use the supplied draw fascia or a custom fascia of the same dimensions as that supplied.



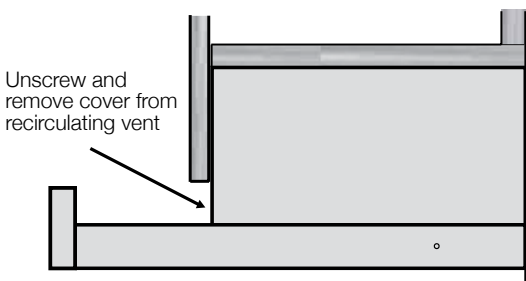
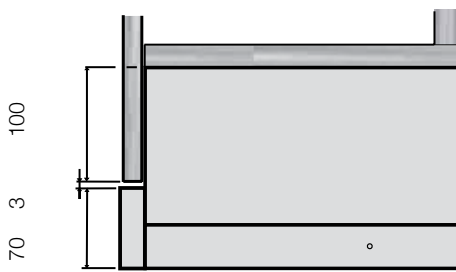
WRR614*A



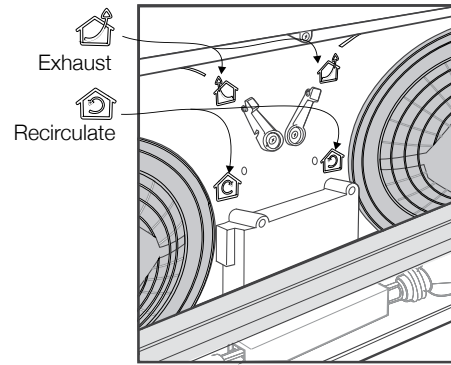
Recirculating vent installation – WRH608I* WRH908I (WRR614*A already fitted with 70mm front panel)

Note: If the rangehood is to be vented using the recirculating vent rather than standard ducting, the supplied drawer fascia is not to be used and must be replaced with a client specific custom fascia.

The custom drawer fascia must be a minimum of 70mm deep as air expelled through the recirculating vent must be deflected upwards.

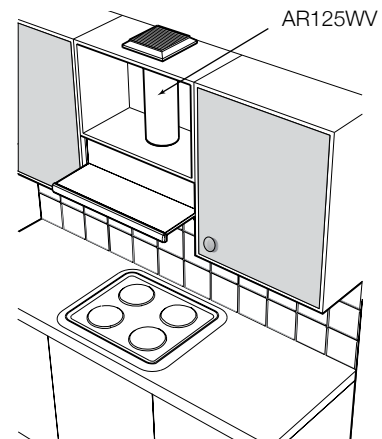


Setting of circulation air doors



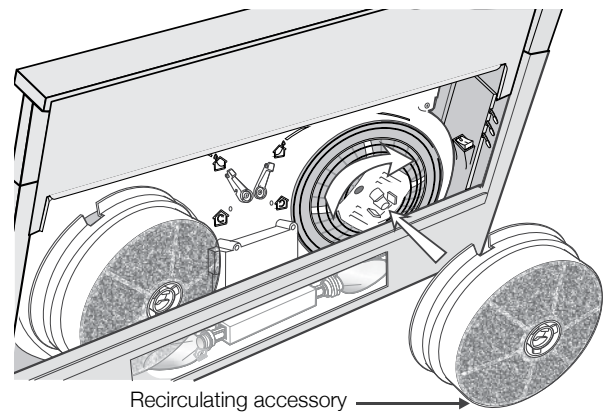
Ducted recirculating installation – REHR6* WRH605I* WRH608I* WRH908I*

If ducted recirculating installation is used, carbon filters are recommended.



All models optional carbon filter

An optional carbon filter will diminish cooking odours in the recirculated air. Depending on the frequency of use and the type of cooking, the expected life of carbon filters from 1 to 6 months. Replacement is required. It is recommended to use carbon filters for recirculating installation.



Optional carbon filter ARCFD for recirculating mode only. Using carbon filters will reduce the airflow of the rangehood.

OPERATION

i IMPORTANT!

The Edison Screw lamps may have come loose during transportation.

Ensure that lamps are tightened firmly into the socket before power is applied.

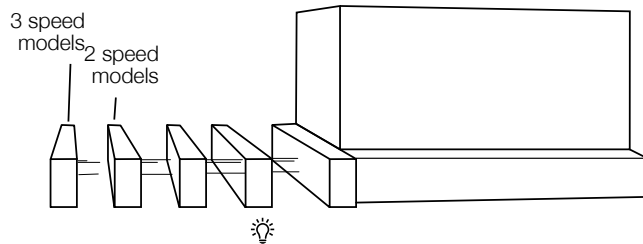
REHR6*

The operation of the light and the two-speed fan are controlled by the drawer action. (see diagram)

WRH605I* WRH608I* WRR614*A WRH908I*

The operation of the lights and the three speed fans are controlled by the drawer action. (see diagram)

Fan speed



To replace the light globes

1. Open drawer and remove filter.
2. Turn mains switch off before removing lamp.

Replace with 28W maximum E14 halogen candle lamp. Depending on model will require 1 or 2 globes. The lamp assembly includes a silicone seal, this must be replaced when a new lamp is used. The silicone seal is placed over the lamp thread and then the lamp is screwed into the holder. Ensure replacement lamp is tightened firmly.

Replacement lamps from Electrolux Parts Centres are supplied with silicone seals.

Maintenance

To maintain efficiency and reduce fire risk, filters should be removed every four weeks (maximum) for cleaning. Soak and agitate filters in hot soapy water or washing soda. Rinse, drain, shake well and replace.

Do not use caustic solutions or other corrosive agents.

The filters can be washed in the dishwasher, recommended the filters be placed on the top shelf of the dishwasher.

NOTE: Where fitted, optional carbon filters are intended to be a disposable item and should be discarded when saturated. Washing the carbon filter is not recommended.

Remove filters for cleaning

1. Slide filter tray forward 1cm.
2. Push in clip on either side to release filter. Fig 1.
3. Pull filter downwards to remove. Repeat 2 & 3 for models with a second filter. Fig 2.
4. Turn off mains switch before cleaning drawer and rangehood body.
5. After cleaning, re-fit filters making sure the clip pins are securely fitted into the locating holes in the rangehood body and for twin filter versions, also located in the pull out drawer section.
6. Holding clip in, push opposite side of filter up until pins are over locating holes.
7. Release clip ensuring filter is securely fitted.

Safety Tips: Use of two hands for removal and re-fitting of filters is recommended to avoid accidental dropping of filters which could cause damage to your cooktop or kitchen surfaces.

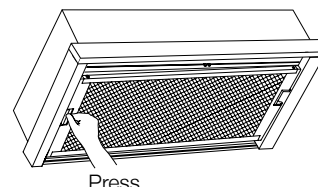


Fig. 1

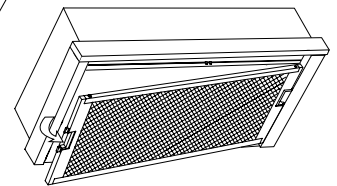


Fig. 2



FOR SALES IN AUSTRALIA AND NEW ZEALAND
APPLIANCE: RANGEHOOD

This document sets out the terms and conditions of the product warranties for Electrolux Appliances. It is an important document. Please keep it with your proof of purchase documents in a safe place for future reference should you require service for your Appliance.

1. In this warranty:
 - (a) 'acceptable quality' as referred to in clause 10 of this warranty has the same meaning referred to in the ACL;
 - (b) 'ACL' means Schedule 2 to the Competition and Consumer Act 2010;
 - (c) 'Appliance' means any Electrolux product purchased by you and accompanied by this document;
 - (d) 'ASC' means Electrolux authorised service centres;
 - (e) 'Electrolux' means Electrolux Home Products Pty Ltd of 163 O'Riordan Street, Mascot NSW 2020, ABN 51 004 762 341 in respect of Appliances purchased in Australia and Electrolux (NZ) Limited (collectively 'Electrolux') of 3-5 Niall Burgess Road, Mount Wellington, in respect of Appliances purchased in New Zealand;
 - (f) 'major failure' as referred to in clause 10 of this warranty has the same meaning referred to in the ACL and includes a situation when an Appliance cannot be repaired or it is uneconomic for Electrolux, at its discretion, to repair an Appliance during the Warranty Period;
 - (g) 'Warranty Period' means the Appliance is warranted against manufacturing defects in Australia for 24 months and in New Zealand for 24 months, following the date of original purchase of the Appliance;
 - (h) 'you' means the purchaser of the Appliance not having purchased the Appliance for re-sale, and 'your' has a corresponding meaning.
2. This warranty only applies to Appliances purchased and used in Australia or New Zealand and used in normal domestic applications and is in addition to (and does not exclude, restrict, or modify in any way) any non-excludable statutory warranties in Australia or New Zealand.
3. During the Warranty Period Electrolux or its ASC will, at no extra charge if your Appliance is readily accessible for service, without special equipment and subject to these terms and conditions, repair or replace any parts which it considers to be defective. Electrolux or its ASC may use remanufactured parts to repair your Appliance. You agree that any replaced Appliances or parts become the property of Electrolux. This warranty does not apply to light globes, batteries, filters or similar perishable parts.
4. Parts and Appliances not supplied by Electrolux are not covered by this warranty.
5. To the extent permitted by law, you will bear the cost of transportation, travel and delivery of the Appliance to and from Electrolux or its ASC. If you reside outside of the service area, you will bear the cost of:
 - (a) travel of an authorised representative;
 - (b) transportation and delivery of the Appliance to and from Electrolux or its ASC.

In all instances, unless the Appliance is transported by Electrolux or an Electrolux authorised representative, the Appliance is transported at the owner's cost and risk while in transit to and from Electrolux or its ASC.
6. Proof of purchase is required before you can make a claim under this warranty.
7. You may not make a claim under this warranty unless the defect claimed is due to faulty or defective parts or workmanship. Electrolux is not liable in the following situations (which are not exhaustive):
 - (a) the Appliance is damaged by:
 - (i) accident
 - (ii) misuse or abuse, including failure to properly maintain or service
 - (iii) normal wear and tear
 - (iv) power surges, electrical storm damage or incorrect power supply
 - (v) incomplete or improper installation
 - (vi) incorrect, improper or inappropriate operation
 - (vii) insect or vermin infestation
 - (viii) failure to comply with any additional instructions supplied with the Appliance;
 - (b) the Appliance is modified without authority from Electrolux in writing;
 - (c) the Appliance's serial number or warranty seal has been removed or defaced;
 - (d) the Appliance was serviced or repaired by anyone other than Electrolux, an authorised repairer or ASC.
8. This warranty, the contract to which it relates and the relationship between you and Electrolux are governed by the law applicable where the Appliance was purchased. Where the Appliance was purchased in New Zealand for commercial purposes the Consumer Guarantee Act does not apply.
9. To the extent permitted by law and subject to your non-excludable statutory rights and warranties, Electrolux excludes all warranties and liabilities (other than as contained in this document) including liability for any loss or damage whether direct or indirect arising from your purchase, use or non use of the Appliance.
10. For Appliances and services provided by Electrolux in Australia, the Appliances come with a guarantee by Electrolux that cannot be excluded under the ACL. You are entitled to a replacement or refund for a major failure and for compensation for any other reasonably foreseeable loss or damage. You are also entitled to have the Appliance repaired or replaced if the Appliance fails to be of acceptable quality and the failure does not amount to a major failure. The benefits to you given by this warranty are in addition to your other rights and remedies under a law in relation to the Appliances or services to which the warranty relates.
11. At all times during the Warranty Period, Electrolux shall, at its discretion, determine whether repair, replacement or refund will apply if an Appliance has a valid warranty claim applicable to it.
12. For Appliances and services provided by Electrolux in New Zealand, the Appliances come with a guarantee by Electrolux pursuant to the provisions of the Consumer Guarantees Act, the Sale of Goods Act and the Fair Trading Act.
13. To enquire about claiming under this warranty, please follow these steps:
 - (a) carefully check the operating instructions, user manual and the terms of this warranty;
 - (b) have the model and serial number of the Appliance available;
 - (c) have the proof of purchase (e.g. an invoice) available;
 - (d) telephone the numbers shown below.
14. You accept that if you make a warranty claim, Electrolux and its ASC may exchange information in relation to you to enable Electrolux to meet its obligations under this warranty.

Important Notice

Before calling for service, please ensure that the steps listed in clause 13 above have been followed.

<p>FOR SERVICE or to find the address of your nearest state service centre in Australia PLEASE CALL 13 13 49 For the cost of a local call (Australia only)</p>	<p>SERVICE AUSTRALIA ELECTROLUX HOME PRODUCTS electrolux.com.au</p>	<p>FOR SPARE PARTS or to find the address of your nearest state spare parts centre in Australia PLEASE CALL 13 13 50 For the cost of a local call (Australia only)</p>
<p>FOR SERVICE or to find the address of your nearest authorised service centre in New Zealand FREE CALL 0800 10 66 10 (New Zealand only)</p>	<p>SERVICE NEW ZEALAND ELECTROLUX (NZ) Limited electrolux.co.nz</p>	<p>FOR SPARE PARTS or to find the address of your nearest state spare parts centre in New Zealand FREE CALL 0800 10 66 20 (New Zealand only)</p>

Electrolux Home Products Australia

telephone: 1300 363 640
fax: 1800 350 067
email: customercare@electrolux.com.au
web: electrolux.com.au

Electrolux Home Products New Zealand

telephone: 0800 436 245
fax: 0800 225 088
email: customercare@electrolux.co.nz
web: electrolux.co.nz

P/No. E613030

© 2017 Electrolux Home Products Pty Ltd.
ABN 51 004 762 341

EMAN_GenericRangehood_Mar17